

YU-TH22

AMERICA

BEST VALUE IN THE WORLD OF CUTTING TOOLS



TOOLING SYSTEM



Hydraulic Chuck

Shrink Fit Holder

End Mill Holder & Side Lock Arbor

ER Collet Chuck

SK Slim Chuck

TG Collet Chuck

Power Milling Chuck

Morse Taper Adapter

Tapping Chuck

One Step Tapping Chuck

Shell Mill Arbor

NC Drill Chuck

Jacobs Taper Arbor

Stub Arbor

Sitting Saw Arbor

Pull Stud & Tool Clamp



THE WORLD LEADER IN THE TOOL HOLDER INDUSTRY



YG-1 CO., LTD.



YG-1 manufactures and supplies wide variety of Quality Tool Holders to the customer, and the customer may choose the most suitable tool holder according to the customer's specific machining application in every industry. The customer must enjoy not only the best competitiveness of YG-1 Tool Holder in Quality and Price, but also the most desirable one-stop tooling solution through YG-1 Tool Holder and YG-1 Cutting Tool provided by global sales network of YG-1.

YG-1, as a global leader in the manufacture and application of cutting tools, brings you these innovations worldwide in the form of superior tooling, expert support and world class delivery.

PRODUCT INDEX

PRODUCTS	DESCRIPTION	PAGE
	HYDRAULIC CHUCK	07
	CAT40, CAT50	08
	CCT40, CCT50	16
	BT30, BT40, BT50	20
	CBT30, CBT40	26
	HSK63A, HSK100A	31
	TEST PIECE	36
	HYDRAULIC CHUCK COLLET (REDUCTION SLEEVE)	37
	SHRINK FIT HOLDER	45
	CAT40, CAT50	46
	CCT40, CCT50	56
	BT30, BT40, BT50	64
	CBT30, CBT40, CBT50	76
	HSK63A, HSK100A	88
EXTENSION (STRAIGHT)	98	
	END MILL HOLDER & SIDE LOCK ARBOR	101
	CAT40, CAT50	102
	CCT40, CCT50 SIDE LOCK ARBOR	111
	BT40, BT50	112
	CBT30, CBT40 SIDE LOCK ARBOR	120
	HSK63A, HSK100A	121
SIDE LOCK BOLT	124	
	ER COLLET CHUCK	125
	CAT40, CAT50	126
	BT40, BT50	128
	HSK63A, HSK100A	131
	SHORT, STRAIGHT-K	132
	NC-ER	133
	ER COLLET	134
NUT, WRENCH, STOP SCREW	144	

PRODUCT INDEX

PRODUCTS	DESCRIPTION	PAGE
	SK SLIM CHUCK	145
	CAT40, CAT50	146
	CCT40, CCT50	147
	CBT30, CBT40	148
	HSK63A, HSK100A	149
	STRAIGHT-K	150
	SK COLLET	151
	NUT, WRENCH	154
	TG COLLET CHUCK	155
	CAT40, CAT50	156
	BT40, BT50	157
	NUT, WRENCH, STOP SCREW	158
	POWER MILLING CHUCK	159
	CAT40, CAT50	160
	CCT40, CCT50 HIGH SPEED	161
	BT40, BT50	162
	CBT40 HIGH SPEED	163
	HSK63A, HSK100A HIGH SPEED	163
	POWER MILLING CHUCK COLLET	164
	MORSE TAPER ADAPTER	165
	CAT40, CAT50	166
	BT40, BT50	166

PRODUCT INDEX

PRODUCTS	DESCRIPTION	PAGE	
	TAPPING CHUCK	167	
	QUICK CHANG TYPE	CAT40, CAT50	168
		BT40, BT50	169
	SYNCHRO TAPPING ER CHUCK	CAT40, CAT50	170
		BT40, BT50	171
		HSK63A	172
		STRAIGHT-KW	173
		TAP ADAPTER	174
	ONE STEP TAPPING CHUCK	175	
		CAT40, CAT50	176
		BT40, BT50	176
		HSK63A, HSK100A	177
		STRAIGHT-KW	177
		TAP ADAPTER	178
	SHELL MILL ARBOR	181	
		CAT40, CAT50	182
		CCT40, CCT50	185
		BT40, BT50	187
		CBT30, CBT40	189
		HSK63A, HSK100A	191
	FLANGE MOUNTING TYPE	CAT50, BT50, HSK100A	194
		COLLAR BOLT, DRIVE KEY, KEY BOLT	195

PRODUCT INDEX

PRODUCTS	DESCRIPTION	PAGE	
	NC DRILL CHUCK	197	
	KEYLESS TYPE	CAT40, CAT50	198
		BT30, BT40	199
		HSK63A, HSK100A	200
		STRAIGHT-K	200
	HEX. KEY TYPE	CAT40	201
		BT40	201
	HSK63A	202	
	JACOBS TAPER ARBOR	203	
		CAT40, CAT50	204
		BT40, BT50	204
	STUB ARBOR	205	
		CAT40, CAT50	206
		BT40, BT50	206
		NUT, KEY, SPACER	207
	SLITTING SAW ARBOR	209	
		CAT40, CAT50	210
		BT40	210
		CAP	210
	PULL STUD & TOOL CLAMP	211	
		PULL STUD	212
		TOOL CLAMP	213
		COOLANT TUBE	213
TECHNICAL INFORMATION		214	



ROTARY TOOLING

HYDRAULIC CHUCK



STANDARD, POWER E HYDRO, SHORT & RIGID,
RADIAL TOOL LENGTH PRE-SETTING, MOULD,
ULTRA SHORT

CAT : ASME B5.50-2009

CCT : CAT DUAL CONTACT

BT : JIS B6339/MAS 403-BT/ISO7388-2

CBT : BT DUAL CONTACT

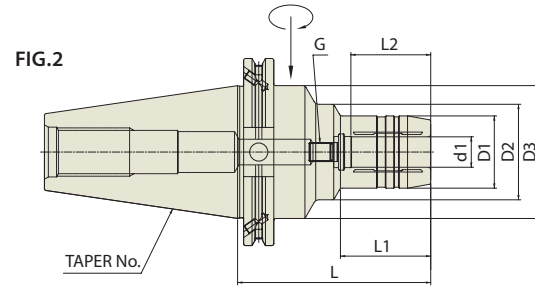
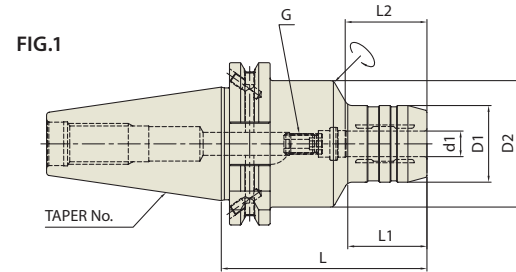
HSK : DIN69893/ISO12164-1

TEST PIECE

REDUCTION SLEEVE : OPEN TYPE/CLOSED TYPE

HYDRAULIC CHUCK

CAT

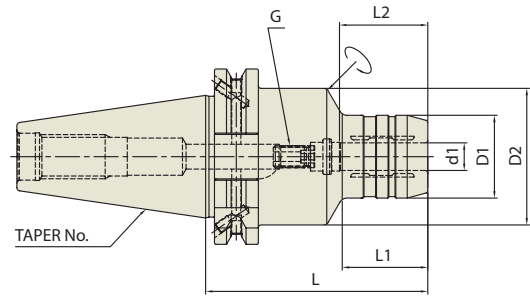


ASME B5.50-2009-CAT


Collet(reduction sleeves)
Refer to page 37-44



											Unit : inch
EDP No.	TAPER No.	MODEL No.	d1	D1	D2	D3	L	L1	L2	G	FIG
WK020	40	CAT40 AD/B - HC 1/4 - 4.00	0.250	1.024	1.750	-	4.000	1.280	1.063	M5x0.8mm	1
WK022		CAT40 AD/B - HC 3/8 - 4.00	0.375	1.181	1.750	-	4.000	1.634	1.260	M6x1.0mm	1
WK024		CAT40 AD/B - HC 1/2 - 4.00	0.500	1.260	1.750	-	4.000	1.634	1.457	M10x1.0mm	1
WK026		CAT40 AD/B - HC 5/8 - 4.00	0.625	1.496	1.750	-	4.000	1.949	1.654	M10x1.0mm	1
WK028		CAT40 AD/B - HC 3/4 - 4.00	0.750	1.654	1.750	-	4.000	1.949	1.654	M10x1.0mm	1
WK030		CAT40 AD/B - HC 1.0 - 4.00	1.000	2.165	2.480	-	4.000	2.618	1.890	M16x1.0mm	1
WK032		CAT40 AD/B - HC 1 1/4 - 4.00	1.250	2.480	3.150	-	4.000	1.378	2.165	M16x1.0mm	1
WL020		50	CAT50 AD/B - HC 1/4 - 4.00	0.250	1.024	1.978	2.752	4.000	1.280	1.063	M5x0.8mm
WL022	CAT50 AD/B - HC 3/8 - 4.00		0.375	1.181	1.978	2.752	4.000	1.417	1.260	M6x1.0mm	2
WL024	CAT50 AD/B - HC 1/2 - 4.00		0.500	1.260	1.978	2.752	4.000	1.634	1.457	M10x1.0mm	2
WL026	CAT50 AD/B - HC 5/8 - 4.00		0.625	1.496	1.978	2.752	4.000	1.870	1.654	M10x1.0mm	2
WL028	CAT50 AD/B - HC 3/4 - 4.00		0.750	1.654	1.978	2.752	4.000	1.949	1.654	M10x1.0mm	2
WL030	CAT50 AD/B - HC 1.0 - 4.00		1.000	2.244	2.480	2.752	4.000	1.949	1.890	M16x1.0mm	2
WL032	CAT50 AD/B - HC 1 1/4 - 4.00		1.250	2.520	-	2.752	4.000	2.559	2.165	M16x1.0mm	2



ASME B5.50-2009-CAT

 Collet(reduction sleeves)
Refer to page 37-44



Unit : mm

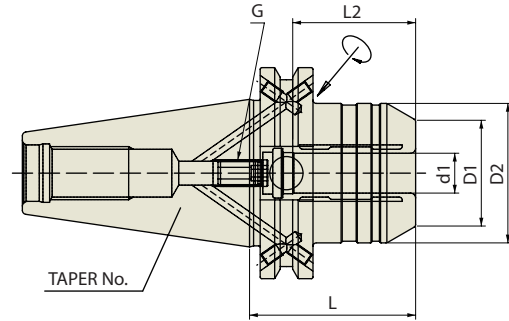
EDP No.	TAPER No.	MODEL No.	d1	D1	D2	L	L1	L2	G
WK060	40	CAT40 AD/B - HC 6 - 80.5	6	26	49.5	80.5	29.5	27	M5x0.8
WK062		CAT40 AD/B - HC 6 - 110	6	26	49.5	110	29.5	27	M5x0.8
WK064		CAT40 AD/B - HC 8 - 80.5	8	28	49.5	80.5	30	27	M6x1.0
WK066		CAT40 AD/B - HC 8 - 110	8	28	49.5	110	30	27	M6x1.0
WK068		CAT40 AD/B - HC 10 - 80.5	10	30	49.5	80.5	31	32	M8x1.0
WK070		CAT40 AD/B - HC 10 - 110	10	30	49.5	110	31	32	M8x1.0
WK072		CAT40 AD/B - HC 12 - 80.5	12	32	49.5	80.5	31.5	37	M10x1.0
WK074		CAT40 AD/B - HC 12 - 110	12	32	49.5	110	31.5	37	M10x1.0
WK076		CAT40 AD/B - HC 16 - 80.5	16	38	49.5	80.5	33	42	M12x1.0
WK078		CAT40 AD/B - HC 16 - 110	16	38	49.5	110	33	42	M12x1.0
WK080		CAT40 AD/B - HC 20 - 80.5	20	42	49.5	80.5	34	42	M16x1.0
WK082		CAT40 AD/B - HC 20 - 110	20	42	49.5	110	34	42	M16x1.0
WK084		CAT40 AD/B - HC 25 - 80.5	25	55	66	80.5	22	48	M16x1.0
WK086		CAT40 AD/B - HC 32 - 80.5	32	63	80	80.5	25.5	55	M16x1.0
WL060	50	CAT50 AD/B - HC 6 - 80.5	6	26	49.5	80.5	30	27	M5x0.8
WL062		CAT50 AD/B - HC 8 - 80.5	8	28	49.5	80.5	30	27	M6x1.0
WL064		CAT50 AD/B - HC 10 - 80.5	10	30	49.5	80.5	32	32	M8x1.0
WL066		CAT50 AD/B - HC 12 - 80.5	12	32	49.5	80.5	35	37	M10x1.0
WL068		CAT50 AD/B - HC 16 - 80.5	16	38	49.5	80.5	40	42	M12x1.0
WL070		CAT50 AD/B - HC 20 - 80.5	20	42	49.5	80.5	40	42	M16x1.0

Hydraulic Chuck
Shrink Fit Holder
End Mill Holder & Side Lock Arbor
ER Collet Chuck
SK Slim Chuck
TG Collet Chuck
Power Milling Chuck
Morse Taper Adapter
Tapping Chuck
One Step Tapping Chuck
Shell Mill Arbor
NC Drill Chuck
Jacobs Taper Arbor
Stub Arbor
Sitting Saw Arbor
Pull Stud & Tool Clamp


HYDRAULIC CHUCK

CAT

POWER E HYDRO



ASME B5.50-2009-CAT

 Collet(reduction sleeves)
Refer to page 37-44








Unit : inch

EDP No.	TAPER No.	MODEL No.	d1	D1	D2	L	L2	G
WK022PE	40	CAT40 AD/B - HC 3/4P - 2.539	0.750	1.545	1.938	2.539	1.889	M8x1.0mm
WK023PE		CAT40 AD/B - HC 3/4P - 4.000	0.750	1.545	1.938	4.000	1.889	M8x1.0mm
WK024PE		CAT40 AD/B - HC 1.0P - 3.543	1.000	1.889	2.067	3.543	2.244	M8x1.0mm
WL028PE	50	CAT50 AD/B - HC 1 1/4P - 3.188	1.250	2.303	2.834	3.188	2.244	M8x1.0mm
WL030PE		CAT50 AD/B - HC 1 1/4P - 6.000	1.250	2.303	2.834	6.000	2.244	M8x1.0mm

Unit : mm

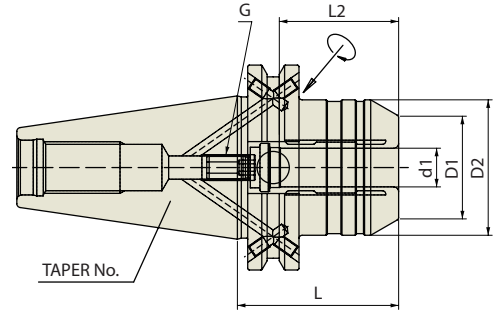
EDP No.	TAPER No.	MODEL No.	d1	D1	D2	L	L2	G
WK102PE	40	CAT40 AD/B - HC 20P - 64.5	20	39.25	49.25	64.5	48	M8x1.0
WK103PE		CAT40 AD/B - HC 20P - 101.6	20	39.25	49.25	101.6	48	M8x1.0
WL104PE	50	CAT50 AD/B - HC 32P - 81	32	58.5	72	81	57	M8x1.0
WL106PE		CAT50 AD/B - HC 32P - 152.4	32	58.5	72	152.4	57	M8x1.0

- * High Clamping Torque Power version
(Please refer to page 213, Technical Information)
- * Applicable for milling (roughing and finishing)


HYDRAULIC CHUCK

CAT

SHORT & RIGID



ASME B5.50-2009-CAT

 Collet(reduction sleeves)
Refer to page 37-44



Unit : inch

EDP No.	TAPER No.	MODEL No.	d1	D1	D2	L	L2	G
WK020SNR	40	CAT40 AD/B - HC 1/2S - 2.52	0.500	1.260	1.654	2.520	1.457	M8x1.0mm
WK021SNR		CAT40 AD/B - HC 5/8S - 2.52	0.625	1.362	1.752	2.520	1.654	M10x1.0mm
WK022SNR		CAT40 AD/B - HC 3/4S - 2.52	0.750	1.469	1.949	2.520	1.654	M10x1.0mm
WK024SNR		CAT40 AD/B - HC 1.0S - 3.50	1.000	2.244	2.598	3.500	1.890	M16x1.0mm
WL020SNR	50	CAT50 AD/B - HC 1/2S - 3.19	0.500	1.819	2.752	3.189	1.457	M8x1.0mm
WL022SNR		CAT50 AD/B - HC 5/8S - 3.19	0.625	1.819	2.752	3.189	1.654	M8x1.0mm
WL024SNR		CAT50 AD/B - HC 3/4S - 3.19	0.750	2.185	2.752	3.189	1.654	M10x1.0mm
WL026SNR		CAT50 AD/B - HC 1.0S - 3.19	1.000	2.185	2.752	3.189	1.890	M16x1.0mm
WL028SNR		CAT50 AD/B - HC 1.25S - 3.19	1.250	2.185	2.752	3.189	2.165	M16x1.0mm

Unit : mm

EDP No.	TAPER No.	MODEL No.	d1	D1	D2	L	L2	G
WK100SNR	40	CAT40 AD/B - HC 12S - 50	12	32	42	50	37	M8x1.0
WK102SNR		CAT40 AD/B - HC 20S - 64.5	20	37	49.5	64.5	42	M16x1.0
WL100SNR	50	CAT50 AD/B - HC 12S - 50	12	32	42	50	37	M8x1.0
WL102SNR		CAT50 AD/B - HC 20S - 64.5	20	37	49.5	64.5	42	M16x1.0
WL104SNR		CAT50 AD/B - HC 32S - 81	32	55	72	81	55	M16x1.0

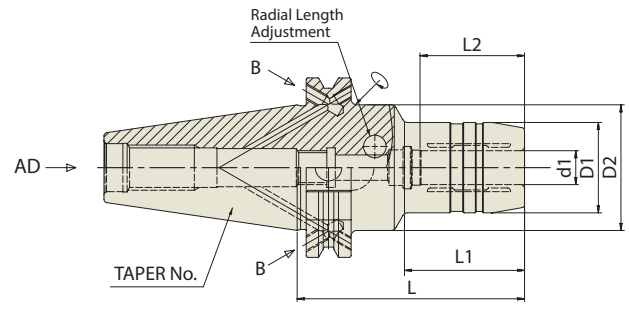
Hydraulic Chuck
Shrink Fit Holder
End Mill Holder & Side Lock Arbor
ER Collet Chuck
SK Slim Chuck
TG Collet Chuck
Power Milling Chuck
Morse Taper Adapter
Tapping Chuck
One Step Tapping Chuck
Shell Mill Arbor
NC Drill Chuck
Jacobs Taper Arbor
Stub Arbor
Slitting Saw Arbor
Pull Stud & Tool Clamp

Hydraulic Chuck
 Shrink Fit Holder
 End Mill Holder & Side Lock Arbor
 ER Collet Chuck
 SK Slim Chuck
 TG Collet Chuck
 Power Milling Chuck
 Morse Taper Adapter
 Tapping Chuck
 One Step Tapping Chuck
 Shell Mill Arbor
 NC Drill Chuck
 Jacobs Taper Arbor
 Stub Arbor
 Slitting Saw Arbor
 Pull Stud & Tool Clamp

HYDRAULIC CHUCK

CAT

RADIAL TOOL LENGTH PRE-SETTING TYPE



ASME B5.50-2009-CAT

Collet(reduction sleeves)
 Refer to page 37-44

ASME B5.50 - CAT AT3 2.5G 25,000 RPM ≤0.00012" (at 3D) AD/B

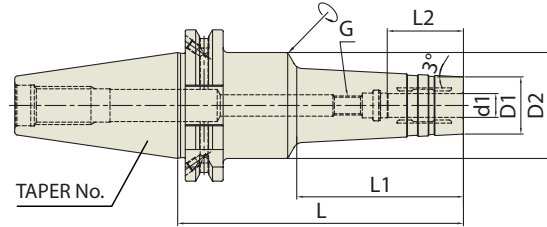
Unit : mm

EDP No.	TAPER No.	MODEL No.	d1	D1	D2	L	L1	L2
WK100HCR	40	CAT40 AD/B - HCR 12 - 80.5	12	32	49.5	80.5	31.5	37
WK102HCR		CAT40 AD/B - HCR 20 - 80.5	20	42	49.5	80.5	34	42
WK104HCR		CAT40 AD/B - HCR 32 - 110	32	64	80	110	50	55
WL100HCR	50	CAT50 AD/B - HCR 12 - 80.5	12	32	49.5	80.5	31.5	37
WL102HCR		CAT50 AD/B - HCR 20 - 80.5	20	42	49.5	80.5	34	42
WL104HCR		CAT50 AD/B - HCR 32 - 100	32	60	60	100	-	55

HYDRAULIC CHUCK

CAT

For MOULD



ASME B5.50-2009-CAT



Collet(reduction sleeves)
Refer to page 37-44



Unit : inch

EDP No.	TAPER No.	MODEL No.	d1	D1	D2	L	L1	L2	G
WK020HMC	40	CAT40 AD/B - HMC 1/4 - 4.72	0.250	0.787	1.949	4.724	2.756	1.063	M5x0.8mm
WK022HMC		CAT40 AD/B - HMC 1/4 - 5.91	0.250	0.787	1.949	5.906	3.937	1.063	M5x0.8mm
WK024HMC		CAT40 AD/B - HMC 5/16 - 4.72	0.313	0.866	1.949	4.724	2.756	1.063	M6x1.0mm
WK026HMC		CAT40 AD/B - HMC 5/16 - 5.91	0.313	0.866	1.949	5.906	3.937	1.063	M6x1.0mm
WK028HMC		CAT40 AD/B - HMC 3/8 - 4.72	0.375	0.945	1.949	4.724	2.756	1.260	M8x1.0mm
WK030HMC		CAT40 AD/B - HMC 3/8 - 5.91	0.375	0.945	1.949	5.906	3.937	1.260	M8x1.0mm
WK032HMC		CAT40 AD/B - HMC 1/2 - 4.72	0.500	1.024	1.949	4.724	2.756	1.457	M10x1.0mm
WK034HMC		CAT40 AD/B - HMC 1/2 - 5.91	0.500	1.024	1.949	5.906	3.937	1.457	M10x1.0mm
WK036HMC		CAT40 AD/B - HMC 5/8 - 4.72	0.625	1.260	1.949	4.724	2.756	1.654	M12x1.0mm
WK038HMC		CAT40 AD/B - HMC 5/8 - 5.91	0.625	1.260	1.949	5.906	3.937	1.654	M12x1.0mm
WK040HMC		CAT40 AD/B - HMC 3/4 - 4.72	0.750	1.339	1.949	4.724	2.756	1.654	M16x1.0mm
WK042HMC		CAT40 AD/B - HMC 3/4 - 5.91	0.750	1.339	1.949	5.906	3.937	1.654	M16x1.0mm
WL020HMC	50	CAT50 AD/B - HMC 1/4 - 5.91	0.250	0.787	1.752	5.906	3.937	1.063	M5x0.8mm
WL022HMC		CAT50 AD/B - HMC 5/16 - 5.91	0.313	0.866	1.752	5.906	3.937	1.063	M6x1.0mm
WL024HMC		CAT50 AD/B - HMC 3/8 - 5.91	0.375	0.945	1.752	5.906	3.937	1.260	M8x1.0mm
WL026HMC		CAT50 AD/B - HMC 1/2 - 5.91	0.500	1.024	1.752	5.906	3.937	1.457	M10x1.0mm
WL028HMC		CAT50 AD/B - HMC 5/8 - 5.91	0.625	1.260	1.752	5.906	3.937	1.654	M12x1.0mm
WL030HMC		CAT50 AD/B - HMC 3/4 - 5.91	0.750	1.339	1.752	5.906	3.937	1.654	M16x1.0mm

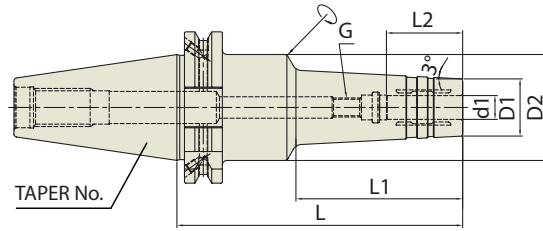
Hydraulic Chuck
Shrink Fit Holder
End Mill Holder & Side Lock Arbor
ER Collet Chuck
SK Slim Chuck
TG Collet Chuck
Power Milling Chuck
Morse Taper Adapter
Tapping Chuck
One Step Tapping Chuck
Shell Mill Arbor
NC Drill Chuck
Jacobs Taper Arbor
Stub Arbor
Slitting Saw Arbor
Pull Stud & Tool Clamp

Hydraulic Chuck
Shrink Fit Holder
End Mill Holder & Side Lock Arbor
ER Collet Chuck
SK Slim Chuck
TG Collet Chuck
Power Milling Chuck
Morse Taper Adapter
Tapping Chuck
One Step Tapping Chuck
Shell Mill Arbor
NC Drill Chuck
Jacobs Taper Arbor
Stub Arbor
Sitting Saw Arbor
Pull Stud & Tool Clamp


HYDRAULIC CHUCK

CAT

For MOULD



ASME B5.50-2009-CAT

 Collet(reduction sleeves)
Refer to page 37-44



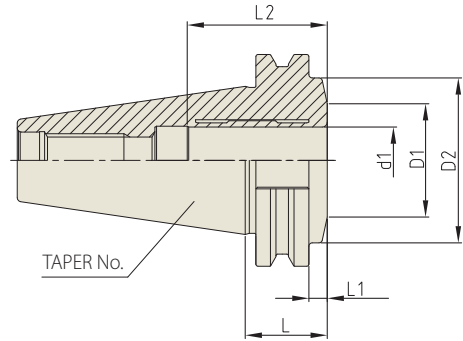
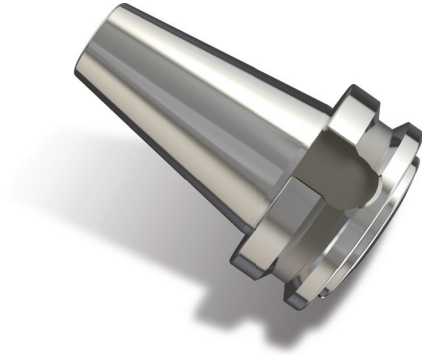
Unit : mm

EDP No.	TAPER No.	MODEL No.	d1	D1	D2	L	L1	L2	G
WK100HMC	40	CAT40 AD/B - HMC 6 - 120	6	20	49.5	120	70	27	M5X0.8
WK102HMC		CAT40 AD/B - HMC 6 - 150	6	20	49.5	150	100	27	M5X0.8
WK104HMC		CAT40 AD/B - HMC 8 - 120	8	22	49.5	120	70	27	M6X1.0
WK106HMC		CAT40 AD/B - HMC 8 - 150	8	22	49.5	150	100	27	M6X1.0
WK108HMC		CAT40 AD/B - HMC 10 - 120	10	24	49.5	120	70	32	M8X1.0
WK110HMC		CAT40 AD/B - HMC 10 - 150	10	24	49.5	150	100	32	M8X1.0
WK112HMC		CAT40 AD/B - HMC 12 - 120	12	25	49.5	120	70	37	M10X1.0
WK114HMC		CAT40 AD/B - HMC 12 - 150	12	25	49.5	150	100	37	M10X1.0
WK116HMC		CAT40 AD/B - HMC 16 - 120	16	32	49.5	120	70	42	M12X1.0
WK118HMC		CAT40 AD/B - HMC 16 - 150	16	32	49.5	150	100	42	M12X1.0
WK120HMC		CAT40 AD/B - HMC 20 - 120	20	34	49.5	120	70	42	M16X1.0
WK122HMC		CAT40 AD/B - HMC 20 - 150	20	34	49.5	150	100	42	M16X1.0
WL100HMC	50	CAT50 AD/B - HMC 6 - 150	6	20	44.5	150	100	27	M5X0.8
WL102HMC		CAT50 AD/B - HMC 8 - 150	8	22	44.5	150	100	27	M6X1.0
WL104HMC		CAT50 AD/B - HMC 10 - 150	10	24	44.5	150	100	32	M8X1.0
WL106HMC		CAT50 AD/B - HMC 12 - 150	12	25	44.5	150	100	37	M10X1.0
WL108HMC		CAT50 AD/B - HMC 16 - 150	16	32	44.5	150	100	42	M12X1.0
WL110HMC		CAT50 AD/B - HMC 20 - 150	20	34	44.5	150	100	42	M16X1.0


HYDRAULIC CHUCK

CAT

ULTRA SHORT



ASME B5.50-2009-CAT

 Collet(reduction sleeves)
Refer to page 37-44







Unit : inch

EDP No.	TAPER No.	MODEL No.	d1	D1	D2	L	L1	L2	WEIGHT (Kg)
WK101US	40	CAT40 - HC 0.75 - 0.969	0.750	1.339	1.949	0.969	0.219	1.654	0.81
WL101US	50	CAT50 - HC 1.25 - 1.217	1.250	1.929	2.776	1.217	0.467	2.165	2.63

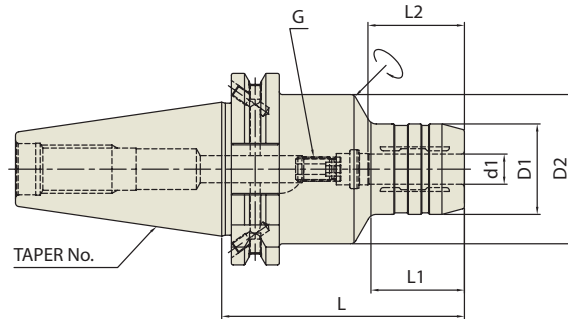
Unit : mm

EDP No.	TAPER No.	MODEL No.	d1	D1	D2	L	L1	L2	WEIGHT (Kg)
WK102US	40	CAT40 - HC 20 - 24.6	20	34	49.5	24.6	5.5	42	0.81
WL102US	50	CAT50 - HC 32 - 30.9	32	49	70.5	30.9	11.85	55	2.63


- Hydraulic Chuck
- Shrink Fit Holder
- End Mill Holder & Side Lock Arbor
- ER Collet Chuck
- SK Slim Chuck
- TG Collet Chuck
- Power Milling Chuck
- Morse Taper Adapter
- Tapping Chuck
- One Step Tapping Chuck
- Shell Mill Arbor
- NC Drill Chuck
- Jacobs Taper Arbor
- Stub Arbor
- Sitting Saw Arbor
- Pull Stud & Tool Clamp

DUAL CONTACT HYDRAULIC CHUCK

CCT



CCT (CAT DUAL CONTACT)

 Collet(reduction sleeves)
Refer to page 37-44



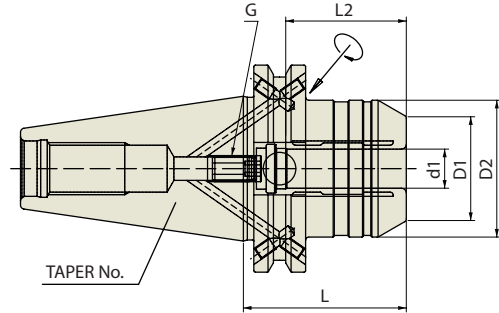
Unit : inch

EDP No.	TAPER No.	MODEL No.	d1	D1	D2	L	L1	L2	G
WB020	40	CCT40 AD/B - HC 1/4 - 3.54	0.250	1.024	1.752	3.543	1.280	1.063	M5x0.8mm
WB022		CCT40 AD/B - HC 5/16 - 3.54	0.313	1.102	1.752	3.543	1.280	1.063	M6x1.0mm
WB024		CCT40 AD/B - HC 3/8 - 3.54	0.375	1.181	1.752	3.543	1.634	1.260	M8x1.0mm
WB026		CCT40 AD/B - HC 1/2 - 3.54	0.500	1.260	1.752	3.543	1.634	1.457	M10x1.0mm
WB028		CCT40 AD/B - HC 5/8 - 3.54	0.625	1.496	1.752	3.543	1.949	1.654	M10x1.0mm
WB030		CCT40 AD/B - HC 3/4 - 3.54	0.750	1.654	1.752	3.543	1.949	1.654	M10x1.0mm
WB032		CCT40 AD/B - HC 1.0 - 3.94	1.000	2.165	2.480	3.937	2.559	1.890	M16x1.0mm
WB034		CCT40 AD/B - HC 1 1/4 - 4.13	1.250	2.480	3.150	4.134	1.378	2.165	M16x1.0mm
WC020	50	CCT50 AD/B - HC 1/4 - 3.54	0.250	1.024	1.969	3.543	1.181	1.063	M5x0.8mm
WC022		CCT50 AD/B - HC 5/16 - 3.54	0.313	1.102	1.969	3.543	1.181	1.063	M6x1.0mm
WC024		CCT50 AD/B - HC 3/8 - 3.54	0.375	1.181	1.969	3.543	1.260	1.260	M8x1.0mm
WC026		CCT50 AD/B - HC 1/2 - 3.54	0.500	1.260	1.969	3.543	1.378	1.457	M10x1.0mm
WC028		CCT50 AD/B - HC 5/8 - 3.54	0.625	1.496	1.969	3.543	1.575	1.654	M10x1.0mm
WC030		CCT50 AD/B - HC 3/4 - 3.54	0.750	1.654	1.969	3.543	1.575	1.654	M10x1.0mm
WC032		CCT50 AD/B - HC 1.0 - 4.13	1.000	2.244	2.480	4.134	2.047	1.890	M16x1.0mm
WC034		CCT50 AD/B - HC 1 1/4 - 4.53	1.250	2.480	2.953	4.528	2.441	2.165	M16x1.0mm


DUAL CONTACT HYDRAULIC CHUCK

CCT

POWER E HYDRO



CCT (CAT DUAL CONTACT)

 Collet(reduction sleeves)
Refer to page 37-44



Unit : inch

EDP No.	TAPER No.	MODEL No.	d1	D1	D2	L	L2	G
WB030PE	40	CCT40 AD/B - HC 3/4P - 2.539	0.750	1.545	49.25	2.539	1.889	M8x1.0mm
WB031PE		CCT40 AD/B - HC 3/4P - 4.000	0.750	1.545	49.25	4.000	1.889	M8x1.0mm
WB032PE		CCT40 AD/B - HC 1.0P - 4.000	1.000	1.889	2.067	3.543	2.244	M8x1.0mm

Unit : mm

EDP No.	TAPER No.	MODEL No.	d1	D1	D2	L	L2	G
WB130PE	40	CCT40 AD/B - HC 20P - 64.5	20	39.25	49.25	64.5	48	M8x1.0
WB131PE		CCT40 AD/B - HC 20P - 101.6	20	39.25	49.25	101.6	48	M8x1.0

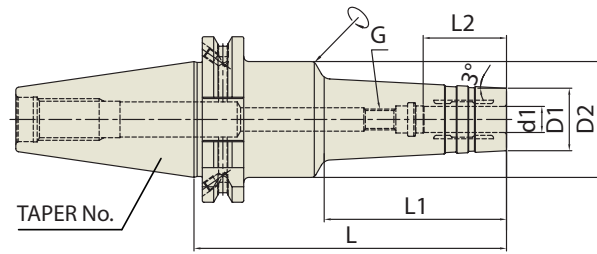
- * High Clamping Torque Power version
(Please refer to page 213, Technical Information)
- * Applicable for milling (roughing and finishing)

Hydraulic Chuck
Shrink Fit Holder
End Mill Holder & Side Lock Arbor
ER Collet Chuck
SKS slim Chuck
TG Collet Chuck
Power Milling Chuck
Morse Taper Adapter
Tapping Chuck
One Step Tapping Chuck
Shell Mill Arbor
NC Drill Chuck
Jacobs Taper Arbor
Stub Arbor
Slitting Saw Arbor
Pull Stud & Tool Clamp


DUAL CONTACT HYDRAULIC CHUCK

CCT

For MOULD



CCT (CAT DUAL CONTACT)

 Collet(reduction sleeves)
Refer to page 37-44



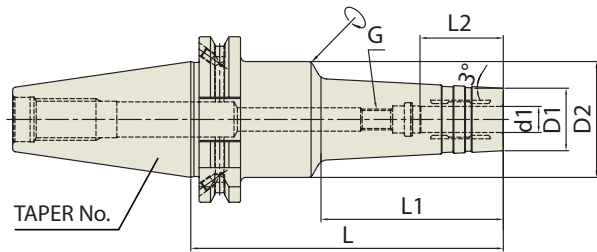
Unit : inch

EDP No.	TAPER No.	MODEL No.	d1	D1	D2	L	L1	L2	G
WB020HMC	40	CCT40 AD/B - HMC 1/4 - 4.72	0.250	0.787	1.949	4.724	2.756	1.063	M5X0.8mm
WB022HMC		CCT40 AD/B - HMC 1/4 - 5.91	0.250	0.787	1.949	5.906	3.937	1.063	M5X0.8mm
WB024HMC		CCT40 AD/B - HMC 5/16 - 4.72	0.313	0.866	1.949	4.724	2.756	1.063	M6X1.0mm
WB026HMC		CCT40 AD/B - HMC 5/16 - 5.91	0.313	0.866	1.949	5.906	3.937	1.063	M6X1.0mm
WB028HMC		CCT40 AD/B - HMC 3/8 - 4.72	0.375	0.945	1.949	4.724	2.756	1.260	M8X1.0mm
WB030HMC		CCT40 AD/B - HMC 3/8 - 5.91	0.375	0.945	1.949	5.906	3.937	1.260	M8X1.0mm
WB032HMC		CCT40 AD/B - HMC 1/2 - 4.72	0.500	1.024	1.949	4.724	2.756	1.457	M10X1.0mm
WB034HMC		CCT40 AD/B - HMC 1/2 - 5.91	0.500	1.024	1.949	5.906	3.937	1.457	M10X1.0mm
WB036HMC		CCT40 AD/B - HMC 5/8 - 4.72	0.625	1.260	1.949	4.724	2.756	1.654	M12X1.0mm
WB038HMC		CCT40 AD/B - HMC 5/8 - 5.91	0.625	1.260	1.949	5.906	3.937	1.654	M12X1.0mm
WB040HMC		CCT40 AD/B - HMC 3/4 - 4.72	0.750	1.339	1.949	4.724	2.756	1.654	M16X1.0mm
WB042HMC		CCT40 AD/B - HMC 3/4 - 5.91	0.750	1.339	1.949	5.906	3.937	1.654	M16X1.0mm
WC020HMC	50	CCT50 AD/B - HMC 1/4 - 5.91	0.250	0.787	1.752	5.906	3.937	1.063	M5X0.8mm
WC022HMC		CCT50 AD/B - HMC 5/16 - 5.91	0.313	0.866	1.752	5.906	3.937	1.063	M6X1.0mm
WC024HMC		CCT50 AD/B - HMC 3/8 - 5.91	0.375	0.945	1.752	5.906	3.937	1.260	M8X1.0mm
WC026HMC		CCT50 AD/B - HMC 1/2 - 5.91	0.500	1.024	1.752	5.906	3.937	1.457	M10X1.0mm
WC028HMC		CCT50 AD/B - HMC 5/8 - 5.91	0.625	1.260	1.752	5.906	3.937	1.654	M12X1.0mm
WC030HMC		CCT50 AD/B - HMC 3/4 - 5.91	0.750	1.339	1.752	5.906	3.937	1.654	M16X1.0mm


DUAL CONTACT HYDRAULIC CHUCK

CCT

For MOULD



CCT (CAT DUAL CONTACT)

 Collet(reduction sleeves)
Refer to page 37-44



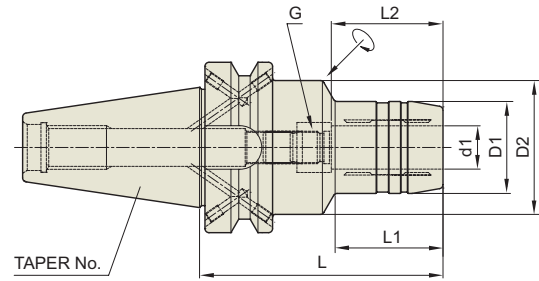
Unit : mm

EDP No.	TAPER No.	MODEL No.	d1	D1	D2	L	L1	L2	G
WB100HMC	40	CCT40 AD/B - HMC 6 - 120	6	20	49.5	120	70	27	M5X0.8
WB102HMC		CCT40 AD/B - HMC 6 - 150	6	20	49.5	150	100	27	M5X0.8
WB104HMC		CCT40 AD/B - HMC 8 - 120	8	22	49.5	120	70	27	M6X1.0
WB106HMC		CCT40 AD/B - HMC 8 - 150	8	22	49.5	150	100	27	M6X1.0
WB108HMC		CCT40 AD/B - HMC 10 - 120	10	24	49.5	120	70	32	M8X1.0
WB110HMC		CCT40 AD/B - HMC 10 - 150	10	24	49.5	150	100	32	M8X1.0
WB112HMC		CCT40 AD/B - HMC 12 - 120	12	25	49.5	120	70	37	M10X1.0
WB114HMC		CCT40 AD/B - HMC 12 - 150	12	25	49.5	150	100	37	M10X1.0
WB116HMC		CCT40 AD/B - HMC 16 - 120	16	32	49.5	120	70	42	M12X1.0
WB118HMC		CCT40 AD/B - HMC 16 - 150	16	32	49.5	150	100	42	M12X1.0
WB120HMC		CCT40 AD/B - HMC 20 - 120	20	34	49.5	120	70	42	M16X1.0
WB122HMC		CCT40 AD/B - HMC 20 - 150	20	34	49.5	150	100	42	M16X1.0
WC100HMC	50	CCT50 AD/B - HMC 6 - 150	6	20	44.5	150	100	27	M5X0.8
WC102HMC		CCT50 AD/B - HMC 8 - 150	8	22	44.5	150	100	27	M6X1.0
WC104HMC		CCT50 AD/B - HMC 10 - 150	10	24	44.5	150	100	32	M8X1.0
WC106HMC		CCT50 AD/B - HMC 12 - 150	12	25	44.5	150	100	37	M10X1.0
WC108HMC		CCT50 AD/B - HMC 16 - 150	16	32	44.5	150	100	42	M12X1.0
WC110HMC		CCT50 AD/B - HMC 20 - 150	20	34	44.5	150	100	42	M16X1.0


Hydraulic Chuck
Shrink Fit Holder
End Mill Holder & Side Lock Arbor
ER Collet Chuck
SK Slim Chuck
TG Collet Chuck
Power Milling Chuck
Morse Taper Adapter
Tapping Chuck
One Step Tapping Chuck
Shell Mill Arbor
NC Drill Chuck
Jacobs Taper Arbor
Stub Arbor
Slitting Saw Arbor
Pull Stud & Tool Clamp

HYDRAULIC CHUCK

BT



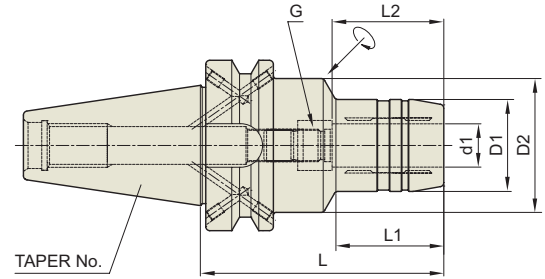
JIS B6339/MAS 403-BT

 Collet(reduction sleeves)
Refer to page 37-44



Unit : inch

EDP No.	TAPER No.	MODEL No.	d1	D1	D2	L	L1	L2	G
WG020	30	BT30 - HC 1/4 - 2.75	0.250	1.024	1.752	2.750	1.161	1.063	M5x0.8mm
WG022		BT30 - HC 5/16 - 2.75	0.313	1.102	1.752	2.750	1.181	1.063	M6x1.0mm
WG024		BT30 - HC 3/8 - 2.95	0.375	1.181	1.752	2.953	1.220	1.260	M8x1.0mm
WG026		BT30 - HC 1/2 - 3.35	0.500	1.260	1.772	3.346	1.575	1.457	M10x1.0mm
WG028		BT30 - HC 5/8 - 3.54	0.625	1.496	1.772	3.543	1.811	1.654	M10x1.0mm
WG030		BT30 - HC 3/4 - 3.54	0.750	1.654	1.772	3.543	1.890	1.654	M6x1.0mm
WH020		40	BT40 AD/B - HC 1/4 - 3.54	0.250	1.024	1.752	3.543	1.181	1.063
WH022	BT40 AD/B - HC 5/16 - 3.54		0.313	1.102	1.752	3.543	1.280	1.063	M6x1.0mm
WH024	BT40 AD/B - HC 3/8 - 3.54		0.375	1.181	1.752	3.543	1.260	1.260	M8x1.0mm
WH026	BT40 AD/B - HC 1/2 - 3.54		0.500	1.260	1.752	3.543	1.378	1.457	M10x1.0mm
WH028	BT40 AD/B - HC 5/8 - 3.54		0.625	1.496	1.870	3.543	1.575	1.654	M12x1.0mm
WH030	BT40 AD/B - HC 3/4 - 3.54		0.750	1.654	1.870	3.543	1.575	1.654	M16x1.0mm
WH032	BT40 AD/B - HC 1.0 - 3.94		1.000	1.969	2.362	3.937	1.772	1.890	M16x1.0mm
WH034	BT40 AD/B - HC 1 1/4 - 4.13		1.250	2.362	-	4.134	-	2.165	M16x1.0mm



JIS B6339/MAS 403-BT

Collet(reduction sleeves)
Refer to page 37-44



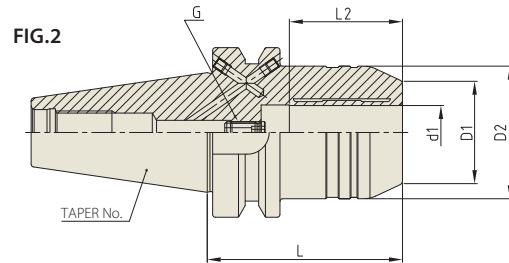
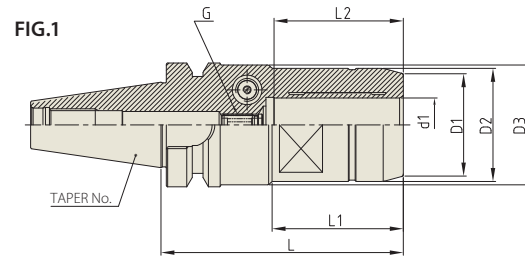
Unit : mm

EDP No.	TAPER No.	MODEL No.	d1	D1	D2	L	L1	L2	G	
WG100	30	BT30 - HC 6 - 70	6	26	44.5	70	29.5	27	M5x0.8	
WG102		BT30 - HC 8 - 70	8	28	44.5	70	30	27	M6x1.0	
WG104		BT30 - HC 10 - 75	10	30	44.5	75	31	32	M8x1.0	
WG106		BT30 - HC 12 - 85	12	32	45	85	45	37	M10x1.0	
WG108		BT30 - HC 14 - 85	14	34	45	85	45	37	M10x1.0	
WG110		BT30 - HC 16 - 90	16	38	45	90	50	42	M10x1.0	
WG112		BT30 - HC 18 - 90	18	40	45	90	50	42	M10x1.0	
WG114		BT30 - HC 20 - 90	20	42	45	90	50	42	M6x1.0	
WH100		40	BT40 AD/B - HC 6 - 90	6	26	44.5	90	43	27	M5x0.8
WH102			BT40 AD/B - HC 8 - 90	8	28	44.5	90	44.5	27	M6x1.0
WH104	BT40 AD/B - HC 10 - 90		10	30	44.5	90	44.5	32	M8x1.0	
WH106	BT40 AD/B - HC 12 - 90		12	32	44.5	90	44.5	37	M10x1.0	
WH108	BT40 AD/B - HC 14 - 90		14	34	44.5	90	44.5	37	M10x1.0	
WH110	BT40 AD/B - HC 16 - 90		16	38	44.5	90	47.5	42	M12x1.0	
WH112	BT40 AD/B - HC 18 - 90		18	40	44.5	90	47.5	42	M12x1.0	
WH114	BT40 AD/B - HC 20 - 90		20	42	44.5	90	47.5	42	M16x1.0	
WH116	BT40 AD/B - HC 25 - 100		25	50	60	100	47.5	48	M16x1.0	
WH118	BT40 AD/B - HC 32 - 105		32	60	-	105	-	55	M16x1.0	

HYDRAULIC CHUCK

BT

POWER E HYDRO



JIS B6339/MAS 403-BT



Collet(reduction sleeves)
Refer to page 37-44



Unit : inch

EDP No.	TAPER No.	MODEL No.	d1	D1	D2	D3	L	L2	G	FIG
WG002PE	30	BT30 - HC 3/4P - 3.543	0.750	1.496	1.653	1.751	3.543	1.889	M8x1.0mm	1
WH002PE	40	BT40 AD/B - HC 3/4P - 2.854	0.750	1.545	1.938	-	2.854	1.889	M8x1.0mm	2
WF003PE		BT40 AD/B - HC 1.0P - 3.937	1.000	1.889	2.067	-	3.937	2.244	M8x1.0mm	2
WI003PE	50	BT50 AD/B - HC 1 1/4P - 3.543	1.250	2.303	2.834	-	3.543	2.244	M8x1.0mm	2

Unit : mm

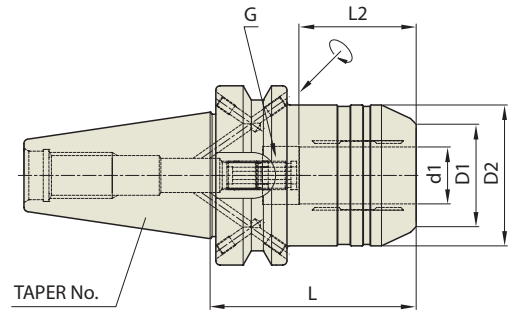
EDP No.	TAPER No.	MODEL No.	d1	D1	D2	D3	L	L2	G	FIG
WG100PE	30	BT30 - HC 12P - 69	12	32	42	44.5	69	41	M8x1.0	1
WG102PE		BT30 - HC 20P - 90	20	38	42	44.5	90	48	M8x1.0	1
WH100PE	40	BT40 AD/B - HC 12P - 58	12	32	42	-	58	41	M8x1.0	2
WH102PE		BT40 AD/B - HC 20P - 72.5	20	39.25	49.25	-	72.5	48	M8x1.0	2
WI100PE	50	BT50 AD/B - HC 20P - 83.5	20	39.25	49.25	-	83.5	48	M8x1.0	2
WI102PE		BT50 AD/B - HC 32P - 90	32	58.5	72	-	90	57	M8x1.0	2

- * High Clamping Torque Power version
(Please refer to page 213, Technical Information)
- * Applicable for milling (roughing and finishing)


HYDRAULIC CHUCK

BT

SHORT & RIGID



JIS B6339/MAS 403-BT

 Collet(reduction sleeves)
Refer to page 37-44

JIS
B6339-
BT

AT3

2.5G

25,000
RPM

≤0.00012"
(at 3D)

AD or AD/B

Unit : mm

EDP No.	TAPER No.	MODEL No.	d1	D1	D2	L	L2	G
WG100SNR	30	BT30 - HC 20S - 85	20	41	44	85	42	M6x1.0
WH100SNR	40	BT40 AD/B - HC 12S - 58	12	32	42	58	37	M8x1.0
WH102SNR		BT40 AD/B - HC 20S - 72.5	20	38	49.25	72.5	42	M8x1.0

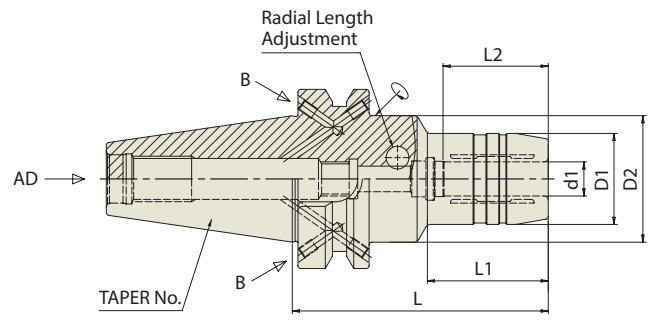
Hydraulic Chuck
Shrink Fit Holder
End Mill Holder & Side Lock Arbor
ER Collet Chuck
SK Slim Chuck
TG Collet Chuck
Power Milling Chuck
Morse Taper Adapter
Tapping Chuck
One Step Tapping Chuck
Shell Mill Arbor
NC Drill Chuck
Jacobs Taper Arbor
Stub Arbor
Slitting Saw Arbor
Pull Stud & Tool Clamp

Hydraulic Chuck
 Shrink Fit Holder
 End Mill Holder & Side Lock Arbor
 ER Collet Chuck
 SK Slim Chuck
 TG Collet Chuck
 Power Milling Chuck
 Morse Taper Adapter
 Tapping Chuck
 One Step Tapping Chuck
 Shell Mill Arbor
 NC Drill Chuck
 Jacobs Taper Arbor
 Stub Arbor
 Sitting Saw Arbor
 Pull Stud & Tool Clamp

HYDRAULIC CHUCK

BT

RADIAL TOOL LENGTH PRE-SETTING TYPE



JIS B6339/MAS 403-BT

Collet(reduction sleeves)
 Refer to page 37-44

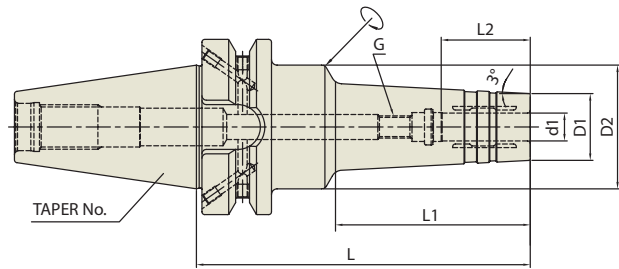
Unit : mm

EDP No.	TAPER No.	MODEL No.	d1	D1	D2	L	L1	L2
WG100HCR	30	BT30 - HCR 12 - 85	12	32	44.5	85	40	37
WG102HCR		BT30 - HCR 20 - 85	20	44	-	85	-	42
WH100HCR	40	BT40 AD/B - HCR 12 - 90	12	32	44.5	90	42.5	37
WH102HCR		BT40 AD/B - HCR 20 - 90	20	42	44.5	90	47.5	42
WH104HCR		BT40 AD/B - HCR 32 - 105	32	60	-	105	-	55


HYDRAULIC CHUCK

BT

For MOULD



JIS B6339/MAS 403-BT

 Collet(reduction sleeves)
Refer to page 37-44



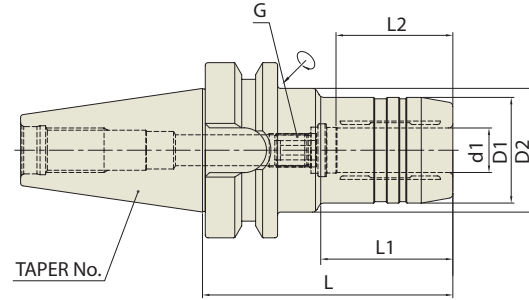
Unit : mm

EDP No.	TAPER No.	MODEL No.	d1	D1	D2	L	L1	L2	G
WH100HMC	40	BT40 AD/B - HMC 6 - 120	6	20	44.5	120	70	27	M5×0.8
WH102HMC		BT40 AD/B - HMC 6 - 150	6	20	44.5	150	100	27	M5×0.8
WH104HMC		BT40 AD/B - HMC 8 - 120	8	22	44.5	120	70	27	M6×1.0
WH106HMC		BT40 AD/B - HMC 8 - 150	8	22	44.5	150	100	27	M6×1.0
WH108HMC		BT40 AD/B - HMC 10 - 120	10	24	44.5	120	70	32	M8×1.0
WH110HMC		BT40 AD/B - HMC 10 - 150	10	24	44.5	150	100	32	M8×1.0
WH112HMC		BT40 AD/B - HMC 12 - 120	12	25	44.5	120	70	37	M10×1.0
WH114HMC		BT40 AD/B - HMC 12 - 150	12	25	44.5	150	100	37	M10×1.0
WH116HMC		BT40 AD/B - HMC 16 - 120	16	32	44.5	120	70	42	M12×1.0
WH118HMC		BT40 AD/B - HMC 16 - 150	16	32	44.5	150	100	42	M12×1.0
WH120HMC		BT40 AD/B - HMC 20 - 120	20	36	43.75	120	-	42	M16×1.0
WH122HMC		BT40 AD/B - HMC 20 - 150	20	36	46.9	150	-	42	M16×1.0


Hydraulic Chuck
Shrink Fit Holder
End Mill Holder & Side Lock Arbor
ER Collet Chuck
SK Slim Chuck
TG Collet Chuck
Power Milling Chuck
Morse Taper Adapter
Tapping Chuck
One Step Tapping Chuck
Shell Mill Arbor
MC Drill Chuck
Jacobs Taper Arbor
Stub Arbor
Slitting Saw Arbor
Pull Stud & Tool Clamp

DUAL CONTACT HYDRAULIC CHUCK

CBT



CBT (BT DUAL CONTACT)

 Collet(reduction sleeves)
Refer to page 37-44

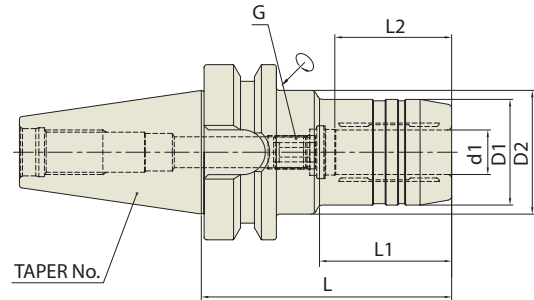


Unit : inch


EDP No.	TAPER No.	MODEL No.	d1	D1	D2	L	L1	L2	G
WD020	30	CBT30 - HC 1/4 - 2.76	0.250	1.024	1.752	2.756	1.161	1.063	M5x0.8mm
WD022		CBT30 - HC 5/16 - 2.76	0.313	1.102	1.752	2.756	1.181	1.063	M6x1.0mm
WD024		CBT30 - HC 3/8 - 2.95	0.375	1.181	1.752	2.953	1.220	1.260	M8x1.0mm
WD026		CBT30 - HC 1/2 - 3.35	0.500	1.260	1.772	3.346	1.575	1.457	M10x1.0mm
WD028		CBT30 - HC 5/8 - 3.54	0.625	1.496	1.772	3.543	1.811	1.654	M10x1.0mm
WD030		CBT30 - HC 3/4 - 3.54	0.750	1.654	1.772	3.543	1.890	1.654	M16x1.0mm
WE020		40	CBT40 - HC 1/4 - 3.54	0.250	1.024	1.752	3.543	1.181	1.063
WE022	CBT40 - HC 5/16 - 3.54		0.313	1.102	1.752	3.543	1.280	1.063	M6x1.0mm
WE024	CBT40 - HC 3/8 - 3.54		0.375	1.181	1.752	3.543	1.260	1.260	M8x1.0mm
WE026	CBT40 - HC 1/2 - 3.54		0.500	1.260	1.752	3.543	1.378	1.457	M10x1.0mm
WE028	CBT40 - HC 5/8 - 3.54		0.625	1.496	1.870	3.543	1.575	1.654	M12x1.0mm
WE030	CBT40 - HC 3/4 - 3.54		0.750	1.654	1.870	3.543	1.575	1.654	M16x1.0mm
WE032	CBT40 - HC 1.0 - 3.94		1.000	1.969	2.362	3.937	1.772	1.890	M16x1.0mm
WE034	CBT40 - HC 1 1/4 - 4.13		1.250	2.362	-	4.134	-	2.165	M16x1.0mm

DUAL CONTACT HYDRAULIC CHUCK

CBT



CBT (BT DUAL CONTACT)

 Collet(reduction sleeves)
Refer to page 37-44



Unit : mm

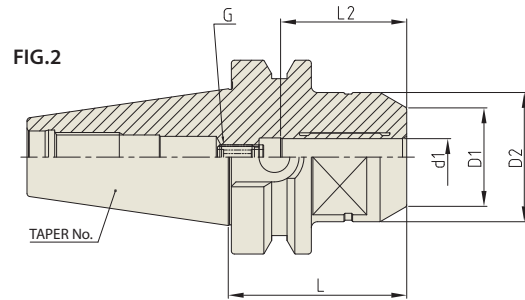
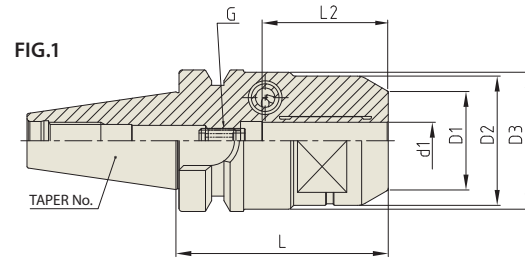
EDP No.	TAPER No.	MODEL No.	d1	D1	D2	L	L1	L2	G	
WD100	30	CBT30 - HC 6 - 70	6	26	44.5	70	29.5	27	M5x0.8	
WD102		CBT30 - HC 8 - 70	8	28	44.5	70	30	27	M6x1.0	
WD104		CBT30 - HC 10 - 75	10	30	44.5	75	31	32	M8x1.0	
WD106		CBT30 - HC 12 - 85	12	32	45	85	45	37	M10x1.0	
WD108		CBT30 - HC 14 - 85	14	34	45	85	45	37	M10x1.0	
WD110		CBT30 - HC 16 - 90	16	38	45	90	50	42	M10x1.0	
WD112		CBT30 - HC 18 - 90	18	40	45	90	50	42	M10x1.0	
WD114		CBT30 - HC 20 - 90	20	42	45	90	50	42	M6x1.0	
WE100		40	CBT40 - HC 6 - 90	6	26	44.5	90	43	27	M5x0.8
WE102			CBT40 - HC 8 - 90	8	28	44.5	90	44.5	27	M6x1.0
WE104	CBT40 - HC 10 - 90		10	30	44.5	90	44.5	32	M8x1.0	
WE106	CBT40 - HC 12 - 90		12	32	44.5	90	44.5	37	M10x1.0	
WE108	CBT40 - HC 14 - 90		14	34	44.5	90	44.5	37	M10x1.0	
WE110	CBT40 - HC 16 - 90		16	38	44.5	90	47.5	42	M12x1.0	
WE112	CBT40 - HC 18 - 90		18	40	44.5	90	47.5	42	M12x1.0	
WE114	CBT40 - HC 20 - 90		20	42	44.5	90	47.5	42	M16x1.0	
WE116	CBT40 - HC 25 - 100		25	50	60	100	47.5	48	M16x1.0	
WE118	CBT40 - HC 32 - 105		32	60	-	105	-	55	M16x1.0	

Hydraulic Chuck
Shrink Fit Holder
End Mill Holder & Side Lock Arbor
ER Collet Chuck
SK Slim Chuck
TG Collet Chuck
Power Milling Chuck
Morse Taper Adapter
Tapping Chuck
One Step Tapping Chuck
Shell Mill Arbor
NC Drill Chuck
Jacobs Taper Arbor
Stub Arbor
Slitting Saw Arbor
Pull Stud & Tool Clamp

DUAL CONTACT HYDRAULIC CHUCK

CBT

POWER E HYDRO



Collet(reduction sleeves)
Refer to page 37-44



CBT (BT DUAL CONTACT)

Unit : inch										
EDP No.	TAPER No.	MODEL No.	d1	D1	D2	D3	L	L2	G	FIG
WD030PE	30	CBT30 - HC 3/4P - 3.543	0.750	1.496	1.653	1.751	3.543	1.889	M8x1.0mm	1
WE030PE	40	CBT40 - HC 3/4P - 2.854	0.750	1.545	1.938	-	2.854	1.889	M8x1.0mm	2
WE031PE		CBT40 - HC 1.0P - 3.937	1.000	1.889	2.067	-	3.937	2.244	M8x1.0mm	2

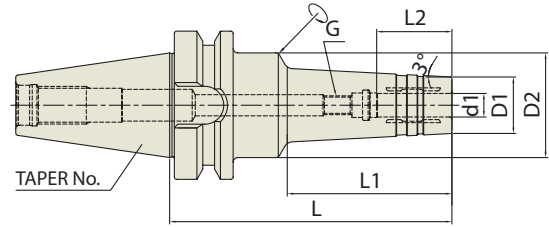
Unit : mm										
EDP No.	TAPER No.	MODEL No.	d1	D1	D2	D3	L	L2	G	FIG
WD112PE	30	CBT30 - HC 12P - 69	12	32	42	44.5	69	41	M8x1.0	1
WD120PE		CBT30 - HC 20P - 90	20	38	42	44.5	90	48	M8x1.0	1
WE112PE	40	CBT40 - HC 12P - 58	12	32	42	-	58	41	M8x1.0	2
WE120PE		CBT40 - HC 20P - 72.5	20	39.25	49.25	-	72.5	48	M8x1.0	2

- * High Clamping Torque Power version
(Please refer to page 213, Technical Information)
- * Applicable for milling (roughing and finishing)


DUAL CONTACT HYDRAULIC CHUCK

CBT

For MOULD



CBT (BT DUAL CONTACT)

 Collet(reduction sleeves)
Refer to page 37-44



Unit : inch

EDP No.	TAPER No.	MODEL No.	d1	D1	D2	L	L1	L2	G
WE020HMC	40	CBT40 - HMC 1/4 - 4.72	0.250	0.787	1.752	4.724	2.756	1.063	M5x0.8mm
WE022HMC		CBT40 - HMC 1/4 - 5.91	0.250	0.787	1.752	5.906	3.937	1.063	M5x0.8mm
WE024HMC		CBT40 - HMC 5/16 - 4.72	0.313	0.866	1.752	4.724	2.756	1.063	M6x1.0mm
WE026HMC		CBT40 - HMC 5/16 - 5.91	0.313	0.866	1.752	5.906	3.937	1.063	M6x1.0mm
WE028HMC		CBT40 - HMC 3/8 - 4.72	0.375	0.945	1.752	4.724	2.756	1.260	M8x1.0mm
WE030HMC		CBT40 - HMC 3/8 - 5.91	0.375	0.945	1.752	5.906	3.937	1.260	M8x1.0mm
WE032HMC		CBT40 - HMC 1/2 - 4.72	0.500	1.024	1.752	4.724	2.756	1.457	M10x1.0mm
WE034HMC		CBT40 - HMC 1/2 - 5.91	0.500	1.024	1.752	5.906	3.937	1.457	M10x1.0mm
WE036HMC		CBT40 - HMC 5/8 - 4.72	0.625	1.260	1.752	4.724	2.756	1.654	M12x1.0mm
WE038HMC		CBT40 - HMC 5/8 - 5.91	0.625	1.260	1.752	5.906	3.937	1.654	M12x1.0mm
WE040HMC		CBT40 - HMC 3/4 - 4.72	0.750	1.339	1.722	4.724	-	1.654	M16x1.0mm
WE042HMC		CBT40 - HMC 3/4 - 5.91	0.750	1.339	1.846	5.906	-	1.654	M16x1.0mm

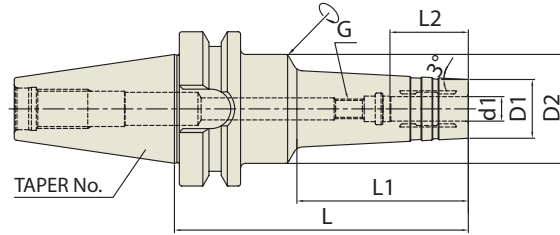
Hydraulic Chuck
Shrink Fit Holder
End Mill Holder & Side Lock Arbor
ER Collet Chuck
SK Slim Chuck
TG Collet Chuck
Power Milling Chuck
Morse Taper Adapter
Tapping Chuck
One Step Tapping Chuck
Shell Mill Arbor
NC Drill Chuck
Jacobs Taper Arbor
Stub Arbor
Slitting Saw Arbor
Pull Stud & Tool Clamp

Hydraulic Chuck
 Shrink Fit Holder
 End Mill Holder & Side Lock Arbor
 ER Collet Chuck
 SK Slim Chuck
 TG Collet Chuck
 Power Milling Chuck
 Morse Taper Adapter
 Tapping Chuck
 One Step Tapping Chuck
 Shell Mill Arbor
 NC Drill Chuck
 Jacobs Taper Arbor
 Stub Arbor
 Sitting Saw Arbor
 Pull Stud & Tool Clamp


DUAL CONTACT HYDRAULIC CHUCK

CBT

For MOULD



CBT (BT DUAL CONTACT)

 Collet(reduction sleeves)
 Refer to page 37-44





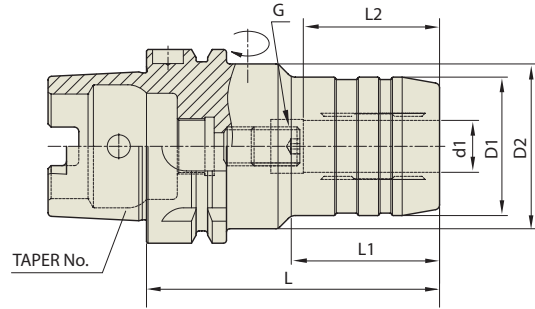



Unit : mm


EDP No.	TAPER No.	MODEL No.	d1	D1	D2	L	L1	L2	G
WE100HMC	40	CBT40 - HMC 6 - 120	6	20	44.5	120	70	27	M5x0.8
WE102HMC		CBT40 - HMC 6 - 150	6	20	44.5	150	100	27	M5x0.8
WE104HMC		CBT40 - HMC 8 - 120	8	22	44.5	120	70	27	M6x1.0
WE106HMC		CBT40 - HMC 8 - 150	8	22	44.5	150	100	27	M6x1.0
WE108HMC		CBT40 - HMC 10 - 120	10	24	44.5	120	70	32	M8x1.0
WE110HMC		CBT40 - HMC 10 - 150	10	24	44.5	150	100	32	M8x1.0
WE112HMC		CBT40 - HMC 12 - 120	12	25	44.5	120	70	37	M10x1.0
WE114HMC		CBT40 - HMC 12 - 150	12	25	44.5	150	100	37	M10x1.0
WE116HMC		CBT40 - HMC 16 - 120	16	32	44.5	120	70	42	M12x1.0
WE118HMC		CBT40 - HMC 16 - 150	16	32	44.5	150	100	42	M12x1.0
WE120HMC		CBT40 - HMC 20 - 120	20	34	43.8	120	-	42	M16x1.0
WE122HMC		CBT40 - HMC 20 - 150	20	34	46.9	150	-	42	M16x1.0

DUAL CONTACT HYDRAULIC CHUCK

HSK



**DIN 69893/
ISO 12164-1-HSK FORM A**

 Collet(reduction sleeves)
Refer to page 37-44

**DIN
69893-
HSK**

2.5G

**25,000
RPM**

**(at 3D)
≤0.00012"**

AD

Unit : inch

EDP No.	TAPER No.	MODEL No.	d1	D1	D2	L	L1	L2	G
WQ020	63A	HSK63A - HC 1/4 - 2.76	0.250	1.024	1.969	2.756	0.945	1.063	M5x0.8mm
WQ022		HSK63A - HC 3/8 - 3.15	0.375	1.181	1.969	3.150	1.378	1.260	M8x1.0mm
WQ024		HSK63A - HC 1/2 - 3.35	0.500	1.260	1.969	3.346	1.575	1.457	M10x1.0mm
WQ026		HSK63A - HC 3/4 - 3.54	0.750	1.654	1.969	3.543	1.890	1.654	M16x1.0mm
WQ028		HSK63A - HC 1.0 - 4.72	1.000	2.244	2.480	4.724	2.323	1.890	M16x1.0mm
WQ030		HSK63A - HC 1 1/4 - 4.92	1.250	2.520	2.953	4.921	2.480	2.165	M16x1.0mm
WR020	100A	HSK100A - HC 1/4 - 2.95	0.250	1.024	1.969	2.953	1.024	1.063	M5x0.8mm
WR022		HSK100A - HC 3/8 - 2.95	0.375	1.181	1.969	3.543	1.654	1.260	M8x1.0mm
WR024		HSK100A - HC 1/2 - 3.74	0.500	1.260	1.969	3.740	1.850	1.457	M10x1.0mm
WR026		HSK100A - HC 3/4 - 4.13	0.750	1.654	1.969	4.134	2.323	1.654	M16x1.0mm
WR028		HSK100A - HC 1.0 - 4.33	1.000	2.244	2.480	4.331	2.441	1.890	M16x1.0mm
WR032		HSK100A - HC 1 1/4 - 4.33	1.250	2.520	2.953	4.331	2.441	2.165	M16x1.0mm

Hydraulic Chuck
Shrink Fit Holder
End Mill Holder & Side Lock Arbor
ER Collet Chuck
SK Slim Chuck
TG Collet Chuck
Power Milling Chuck
Morse Taper Adapter
Tapping Chuck
One Step Tapping Chuck
Shell Mill Arbor
NC Drill Chuck
Jacobs Taper Arbor
Stub Arbor
Slitting Saw Arbor
Pull Stud & Tool Clamp

HYDRAULIC CHUCK

HSK

POWER E HYDRO

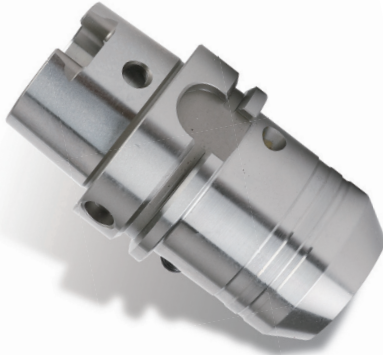


FIG.1

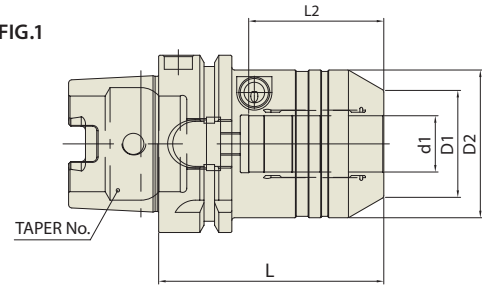
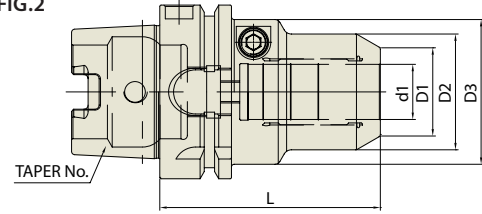


FIG.2



DIN 69893/ ISO 12164-1 HSK FORM A



Collet(reduction sleeves)
Refer to page 37-44



Unit : inch

EDP No.	TAPER No.	MODEL No.	d1	D1	D2	D3	L	L2	G	FIG
WQ002PE	63A	HSK63A - HC 3/4P - 3.149	0.750	1.496	2.066	-	3.149	1.889	M8x1.0mm	1
WQ003PE		HSK63A - HC 3/4P - 5.118	0.750	1.496	2.066	-	5.118	1.889	M8x1.0mm	1
WQ005PE		HSK63A - HC 1.0P - 3.74	1.000	1.89	2.067	-	3.740	2.244	M8x1.0mm	1
WR002PE	100A	HSK100A - HC1 1/4P - 3.937	1.250	2.303	2.834	-	3.937	2.244	M8x1.0mm	1

Unit : mm

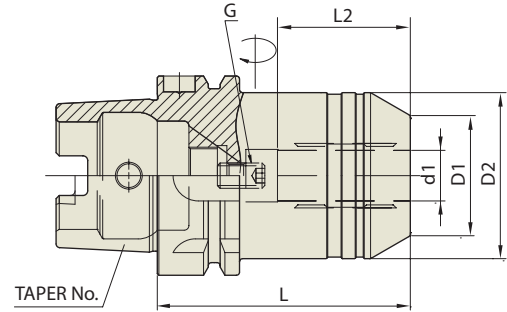
EDP No.	TAPER No.	MODEL No.	d1	D1	D2	D3	L	L2	G	FIG
WQ100PE	63A	HSK63A - HC 12P - 80	12	32	42	52.5	80	41	M8x1.0	2
WQ102PE		HSK63A - HC 20P - 80	20	38	52.5	-	80	48	M8x1.0	1
WR100PE	100A	HSK100A - HC 20P - 90	20	38	52.5	-	90	48	M8x1.0	1
WR102PE		HSK100A - HC 32P - 100	32	58.5	72	-	100	57	M8x1.0	1

- * High Clamping Torque Power version
(Please refer to page 213, Technical Information)
- * Applicable for milling (roughing and finishing)


DUAL CONTACT HYDRAULIC CHUCK

HSK

SHORT & RIGID



**DIN 69893/
ISO 12164-1 HSK FORM A**

 Collet(reduction sleeves)
Refer to page 37-44







Unit : mm

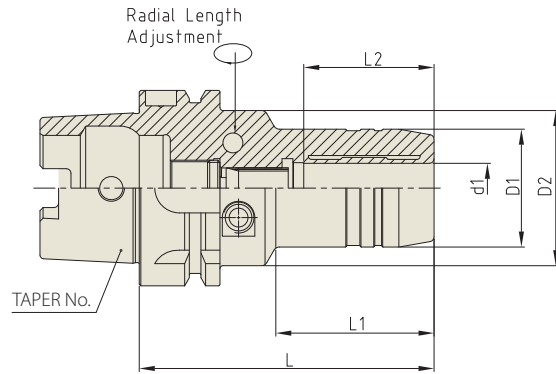
EDP No.	TAPER No.	MODEL No.	d1	D1	D2	L	L2	G
WQ100SNR	63A	HSK63A - HC 12S - 80	12	32	42	80	37	M8x1.0
WQ102SNR		HSK63A - HC 20S - 80	20	38	52.5	80	42	M8x1.0
WR100SNR	100A	HSK100A - HC 12S - 85	12	32	42	85	35	M8x1.0
WR102SNR		HSK100A - HC 20S - 90	20	38	52.5	90	42	M8x1.0

Hydraulic Chuck
Shrink Fit Holder
End Mill Holder & Side Lock Arbor
ER Collet Chuck
SK Slim Chuck
TG Collet Chuck
Power Milling Chuck
Morse Taper Adapter
Tapping Chuck
One Step Tapping Chuck
Shell Mill Arbor
NC Drill Chuck
Jacobs Taper Arbor
Stub Arbor
Slitting Saw Arbor
Pull Stud & Tool Clamp

DUAL CONTACT HYDRAULIC CHUCK

HSK

RADIAL TOOL LENGTH PRE-SETTING TYPE



**DIN 69893/
ISO 12164-1 HSK FORM A**

Collet(reduction sleeves)
Refer to page 37-44

DIN 69893-HSK
2.5G
25,000 RPM
≤0.00012" (at 3D)
AD

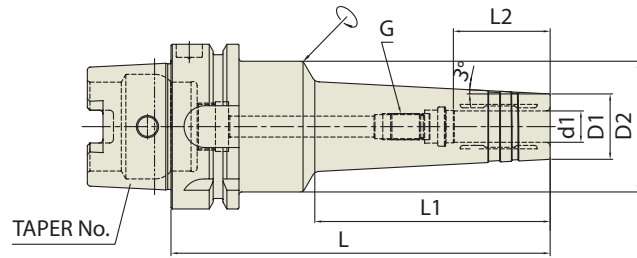
Unit : mm

EDP No.	TAPER No.	MODEL No.	d1	D1	D2	L	L1	L2
WQ100HCR	63A	HSK63A - HCR 6 - 80	6	26	50	80	33	27
WQ102HCR		HSK63A - HCR 8 - 80	8	28	50	80	33	27
WQ104HCR		HSK63A - HCR 10 - 85	10	30	50	85	38	32
WQ106HCR		HSK63A - HCR 12 - 90	12	32	50	90	40	37
WQ108HCR		HSK63A - HCR 14 - 90	14	34	50	90	46	37
WQ110HCR		HSK63A - HCR 16 - 95	16	38	50	95	51	42
WQ112HCR		HSK63A - HCR 18 - 95	18	40	50	95	52	42
WQ114HCR		HSK63A - HCR 20 - 100	20	42	50	100	51	42
WQ116HCR		HSK63A - HCR 25 - 120	25	57	63	120	54.5	48
WQ118HCR		HSK63A - HCR 32 - 125	32	64	75	125	57.5	55
WR100HCR	100A	HSK100A - HCR 6 - 85	6	26	63	85	33	27
WR102HCR		HSK100A - HCR 8 - 85	8	28	63	85	33	27
WR104HCR		HSK100A - HCR 10 - 90	10	30	63	90	36	32
WR106HCR		HSK100A - HCR 12 - 95	12	32	63	95	40	37
WR108HCR		HSK100A - HCR 14 - 95	14	34	63	95	41	37
WR110HCR		HSK100A - HCR 16 - 100	16	38	63	100	46	42
WR112HCR		HSK100A - HCR 18 - 100	18	40	63	100	46	42
WR114HCR		HSK100A - HCR 20 - 105	20	42	75	105	51	42
WR116HCR		HSK100A - HCR 25 - 115	25	57	75	115	55.5	48
WR118HCR		HSK100A - HCR 32 - 120	32	64	75	120	63.5	55


DUAL CONTACT HYDRAULIC CHUCK

HSK

For MOULD



**DIN 69893/
ISO 12164-1 HSK FORM A**

 Collet(reduction sleeves)
Refer to page 37-44

DIN 69893-HSK

2.5G

25,000 RPM

≤0.00012" (at 3D)

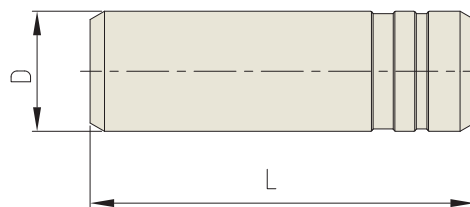
AD

Unit : inch

EDP No.	TAPER No.	MODEL No.	d1	D1	D2	L	L1	L2	G
WQ020HMC	63A	HSK63A - HMC 1/4 - 5.71	0.250	0.787	1.969	5.709	3.543	1.063	M5x0.8mm
WQ022HMC		HSK63A - HMC 5/16 - 5.71	0.313	0.866	1.969	5.709	3.543	1.063	M6x1.0mm
WQ024HMC		HSK63A - HMC 3/8 - 5.71	0.375	0.945	1.969	5.709	3.543	1.260	M8x1.0mm
WQ026HMC		HSK63A - HMC 1/2 - 5.71	0.500	1.024	1.969	5.709	3.543	1.457	M10x1.0mm
WQ028HMC		HSK63A - HMC 5/8 - 5.71	0.625	1.260	1.969	5.709	3.543	1.654	M12x1.0mm
WQ030HMC		HSK63A - HMC 3/4 - 5.71	0.750	1.339	1.969	5.709	3.543	1.654	M16x1.0mm
WR100HMC	100A	HSK100A - HMC 1/4 - 5.71	0.250	0.787	1.969	5.709	3.543	1.063	M5x0.8mm
WR102HMC		HSK100A - HMC 5/16 - 5.71	0.313	0.866	1.969	5.709	3.543	1.063	M6x1.0mm
WR104HMC		HSK100A - HMC 3/8 - 5.71	0.375	0.945	1.969	5.709	3.543	1.260	M8x1.0mm
WR106HMC		HSK100A - HMC 1/2 - 5.71	0.500	1.024	1.969	5.709	3.543	1.457	M10x1.0mm
WR108HMC		HSK100A - HMC 5/8 - 5.71	0.625	1.260	1.969	5.709	3.543	1.654	M12x1.0mm
WR110HMC		HSK100A - HMC 3/4 - 5.71	0.750	1.339	1.969	5.709	3.543	1.654	M16x1.0mm

Unit : mm

EDP No.	TAPER No.	MODEL No.	d1	D1	D2	L	L1	L2	G
WQ100HMC	63A	HSK63A - HMC 6 - 145	6	20	50	145	90	27	M5x0.8
WQ102HMC		HSK63A - HMC 8 - 145	8	22	50	145	90	27	M6x1.0
WQ104HMC		HSK63A - HMC 10 - 145	10	24	50	145	90	32	M8x1.0
WQ106HMC		HSK63A - HMC 12 - 145	12	25	50	145	90	37	M10x1.0
WQ108HMC		HSK63A - HMC 16 - 145	16	32	50	145	90	42	M12x1.0
WQ110HMC		HSK63A - HMC 20 - 145	20	34	50	145	90	42	M16x1.0
WR200HMC	100A	HSK100A - HMC 6 - 150	6	20	50	150	90	27	M5x0.8
WR202HMC		HSK100A - HMC 8 - 150	8	22	50	150	90	27	M6x1.0
WR204HMC		HSK100A - HMC 10 - 150	10	24	50	150	90	32	M8x1.0
WR206HMC		HSK100A - HMC 12 - 150	12	25	50	150	90	37	M10x1.0
WR208HMC		HSK100A - HMC 16 - 150	16	32	50	150	90	42	M12x1.0
WR210HMC		HSK100A - HMC 20 - 150	20	34	50	150	90	42	M16x1.0



SLIM (Inch)

Unit : inch			
DESCRIPTIONS	EDP No.	D	L
TP 1/4	ZZ151	1/4	2.756
TP 5/16	ZZ152	5/16	2.756
TP 3/8	ZZ153	3/8	3.149
TP 1/2	ZZ154	1/2	3.149
TP 5/8	ZZ155	5/8	3.543
TP 3/4	ZZ156	3/4	3.937
TP 1	ZZ157	1	3.937
TP 1 1/4	ZZ158	1 1/4	3.937

SLIM (Metric)

Unit : mm			
DESCRIPTIONS	EDP No.	D	L
TP 6	ZZ159	6	70
TP 8	ZZ160	8	70
TP 10	ZZ161	10	80
TP 12	ZZ162	12	80
TP 14	ZZ163	14	80
TP 16	ZZ164	16	90
TP 18	ZZ165	18	90
TP 20	ZZ166	20	100
TP 25	ZZ167	25	100
TP 32	ZZ168	32	100

POWER E HYDRO (Inch)

Unit : inch			
DESCRIPTIONS	EDP No.	D	L
TP 1/2P	ZZ175	1/2	3.149
TP 3/4P	ZZ172	3/4	3.937
TP 1P	ZZ173	1	3.937
TP 1 1/4P	ZZ174	1 1/4	3.937

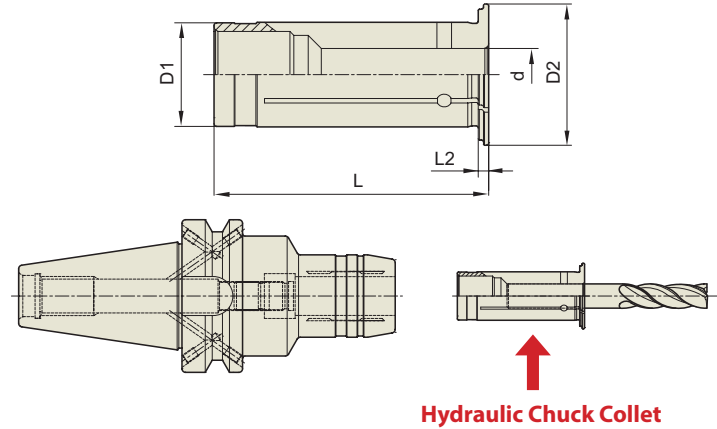
POWER E HYDRO (Metric)

Unit : mm			
DESCRIPTIONS	EDP No.	D	L
TP 12P	ZZ169	12	80
TP 20P	ZZ170	20	100
TP 32P	ZZ171	32	100

HYDRAULIC CHUCK COLLET

HK

REDUCTION SLEEVE : OPEN TYPE



METRIC / INCH

Unit : inch

EDP No.	TYPE	d	D1	D2	L	L2	
412108	HK12	1/8"	0.125	0.472	0.748	1.850	0.079
412316		3/16"	0.188	0.472	0.748	1.850	0.079
412104		1/4"	0.250	0.472	0.748	1.850	0.079
412516		5/16"	0.313	0.472	0.748	1.850	0.079
420108	HK20	1/8"	0.125	0.787	1.063	2.067	0.079
420316		3/16"	0.188	0.787	1.063	2.067	0.079
420104		1/4"	0.250	0.787	1.063	2.067	0.079
420516		5/16"	0.313	0.787	1.063	2.067	0.079
420308		3/8"	0.375	0.787	1.063	2.067	0.079
420102		1/2"	0.500	0.787	1.063	2.067	0.079
420508		5/8"	0.625	0.787	1.063	2.067	0.079
432108	HK32	1/8"	0.125	1.260	1.535	2.500	0.118
432316		3/16"	0.188	1.260	1.535	2.500	0.118
432104		1/4"	0.250	1.260	1.535	2.500	0.118
432516		5/16"	0.313	1.260	1.535	2.500	0.118
432308		3/8"	0.375	1.260	1.535	2.500	0.118
432102		1/2"	0.500	1.260	1.535	2.500	0.118
432508		5/8"	0.625	1.260	1.535	2.500	0.118
432304		3/4"	0.750	1.260	1.535	2.500	0.118
432100		1	1.000	1.260	1.535	2.500	0.118

* Other special sizes of Hydraulic Chuck collets can be supplied on request.

Feature

Hydraulic Chuck Collet(reduction sleeve) is cut into trisection by high precision cutting to guarantee precise I.D and strong clamping power. (The most economical Solution)

Chucking Method

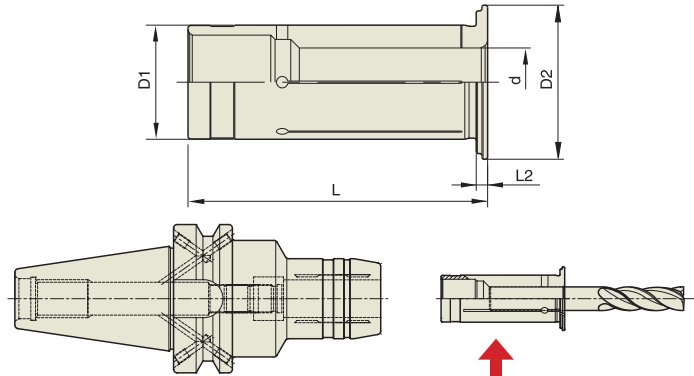
Please assemble cutting tool with collet first, and then insert collet into Hydraulic Chuck.

Hydraulic Chuck
Shrink Fit Holder
End Mill Holder & Side Lock Arbor
ER Collet Chuck
SK Slim Chuck
TG Collet Chuck
Power Milling Chuck
Morse Taper Adapter
Tapping Chuck
One Step Tapping Chuck
Shell Mill Arbor
NC Drill Chuck
Jacobs Taper Arbor
Stub Arbor
Slitting Saw Arbor
Pull Stud & Tool Clamp

HYDRAULIC CHUCK COLLET

HS

REDUCTION SLEEVE : CLOSED TYPE



Hydraulic Chuck Collet

METRIC / INCH

							Unit : inch
EDP No.	TYPE		d	D1	D2	L	L2
512108	HS12	1/8"	0.125	0.472	0.748	1.850	0.079
512316		3/16"	0.188	0.472	0.748	1.850	0.079
512104		1/4"	0.250	0.472	0.748	1.850	0.079
512516		5/16"	0.313	0.472	0.748	1.850	0.079
520108	HS20	1/8"	0.125	0.787	1.063	2.067	0.079
520316		3/16"	0.188	0.787	1.063	2.067	0.079
520104		1/4"	0.250	0.787	1.063	2.067	0.079
520516		5/16"	0.313	0.787	1.063	2.067	0.079
520308		3/8"	0.375	0.787	1.063	2.067	0.079
520102		1/2"	0.500	0.787	1.063	2.067	0.079
520508	HS32	5/8"	0.625	0.787	1.063	2.067	0.079
532108		1/8"	0.125	1.260	1.535	2.500	0.118
532316		3/16"	0.188	1.260	1.535	2.500	0.118
532104		1/4"	0.250	1.260	1.535	2.500	0.118
532516		5/16"	0.313	1.260	1.535	2.500	0.118
532308		3/8"	0.375	1.260	1.535	2.500	0.118
532102		1/2"	0.500	1.260	1.535	2.500	0.118
532508		5/8"	0.625	1.260	1.535	2.500	0.118
532304	3/4"	0.750	1.260	1.535	2.500	0.118	
532100	1	1.000	1.260	1.535	2.500	0.118	

* Other special sizes of Hydraulic Chuck collets can be supplied on request.

Feature

The wall of Hydraulic Chuck Collet(reduction sleeve) is cut by high precision wire-cutting to guarantee precise I.D and strong clamping power.

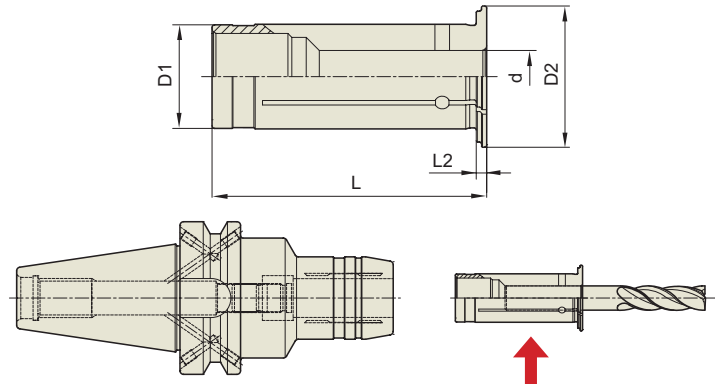
Chucking Method

Please assemble cutting tool with collet first, and then insert collet into Hydraulic Chuck.

HYDRAULIC CHUCK COLLET

HK

REDUCTION SLEEVE : OPEN TYPE



Hydraulic Chuck Collet

INCH / INCH

Unit : inch

EDP No.	TYPE	d	D1	D2	L	L2	
612108	HK1/2"	1/8"	0.125	0.500	0.748	1.850	0.079
612316		3/16"	0.188	0.500	0.748	1.850	0.079
612104		1/4"	0.250	0.500	0.748	1.850	0.079
612516		5/16"	0.313	0.500	0.748	1.850	0.079
625108	HK3/4"	1/8"	0.125	0.750	1.063	2.067	0.079
625316		3/16"	0.188	0.750	1.063	2.067	0.079
625104		1/4"	0.250	0.750	1.063	2.067	0.079
625516		5/16"	0.313	0.750	1.063	2.067	0.079
625308		3/8"	0.375	0.750	1.063	2.067	0.079
625102		1/2"	0.500	0.750	1.063	2.067	0.079
625508	HK1"	5/8"	0.625	0.750	1.063	2.067	0.079
626316		3/16"	0.188	1.000	1.142	2.224	0.079
626104		1/4"	0.250	1.000	1.142	2.224	0.079
626516		5/16"	0.313	1.000	1.142	2.224	0.079
626308		3/8"	0.375	1.000	1.142	2.224	0.079
626716		7/16"	0.438	1.000	1.142	2.224	0.079
626102		1/2"	0.500	1.000	1.142	2.224	0.079
626508		5/8"	0.625	1.000	1.142	2.224	0.079
626304		3/4"	0.750	1.000	1.142	2.224	0.079
632108		HK1 1/4"	1/8"	0.125	1.250	1.535	2.500
632316	3/16"		0.188	1.250	1.535	2.500	0.118
632104	1/4"		0.250	1.250	1.535	2.500	0.118
632516	5/16"		0.313	1.250	1.535	2.500	0.118
632308	3/8"		0.375	1.250	1.535	2.500	0.118
632102	1/2"		0.500	1.250	1.535	2.500	0.118
632508	5/8"		0.625	1.250	1.535	2.500	0.118
632304	3/4"		0.750	1.250	1.535	2.500	0.118
632100	1		1.000	1.250	1.535	2.500	0.118

* Other special sizes of Hydraulic Chuck collets can be supplied on request.

Feature

Hydraulic Chuck Collet(reduction sleeve) is cut into trisection by high precision cutting to guarantee precise I.D and strong clamping power.

Chucking Method

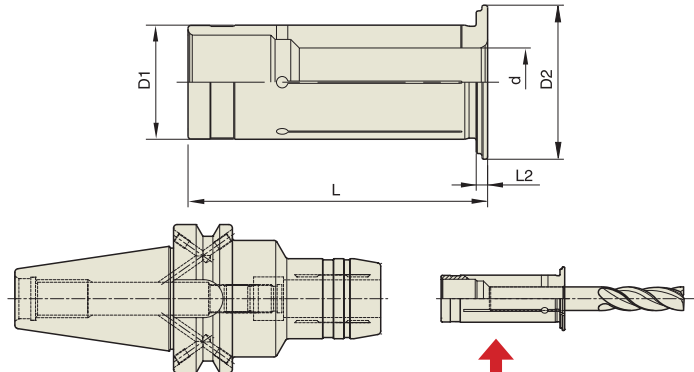
Please assemble cutting tool with collet first, and then insert collet into Hydraulic Chuck.

Hydraulic Chuck
Shrink Fit Holder
End Mill Holder & Side Lock Arbor
ER Collet Chuck
SK Slim Chuck
TG Collet Chuck
Power Milling Chuck
Morse Taper Adapter
Tapping Chuck
One Step Tapping Chuck
Shell Mill Arbor
NC Drill Chuck
Jacobs Taper Arbor
Stub Arbor
Slitting Saw Arbor
Pull Stud & Tool Clamp

HYDRAULIC CHUCK COLLET

HS

REDUCTION SLEEVE : CLOSED TYPE



Hydraulic Chuck Collet

INCH / INCH

							Unit : inch
EDP No.	TYPE		d	D1	D2	L	L2
712108	HS1/2"	1/8"	0.125	0.500	0.748	1.850	0.079
712316		3/16"	0.188	0.500	0.748	1.850	0.079
712104		1/4"	0.250	0.500	0.748	1.850	0.079
712516		5/16"	0.313	0.500	0.748	1.850	0.079
725108	HS3/4"	1/8"	0.125	0.750	1.063	2.067	0.079
725316		3/16"	0.188	0.750	1.063	2.067	0.079
725104		1/4"	0.250	0.750	1.063	2.067	0.079
725516		5/16"	0.313	0.750	1.063	2.067	0.079
725308	HS1"	3/8"	0.375	0.750	1.063	2.067	0.079
725102		1/2"	0.500	0.750	1.063	2.067	0.079
725508		5/8"	0.625	0.750	1.063	2.067	0.079
726316		3/16"	0.188	1.000	1.142	2.224	0.079
726104	HS1 1/4"	1/4"	0.250	1.000	1.142	2.224	0.079
726516		5/16"	0.313	1.000	1.142	2.224	0.079
726308		3/8"	0.375	1.000	1.142	2.224	0.079
726716		7/16"	0.438	1.000	1.142	2.224	0.079
726102	HS1 1/2"	1/2"	0.500	1.000	1.142	2.224	0.079
726508		5/8"	0.625	1.000	1.142	2.224	0.079
726304		3/4"	0.750	1.000	1.142	2.224	0.079
732108		HS1 3/4"	1/8"	0.125	1.250	1.535	2.500
732316	3/16"		0.188	1.250	1.535	2.500	0.118
732104	1/4"		0.250	1.250	1.535	2.500	0.118
732516	5/16"		0.313	1.250	1.535	2.500	0.118
732308	HS2"	3/8"	0.375	1.250	1.535	2.500	0.118
732102		1/2"	0.500	1.250	1.535	2.500	0.118
732508		5/8"	0.625	1.250	1.535	2.500	0.118
732304		3/4"	0.750	1.250	1.535	2.500	0.118
732100		1	1.000	1.250	1.535	2.500	0.118

* Other special sizes of Hydraulic Chuck collets can be supplied on request.

Feature

The wall of Hydraulic Chuck Collet(reduction sleeve) is cut by high precision wire-cutting to guarantee precise I.D and strong clamping power.

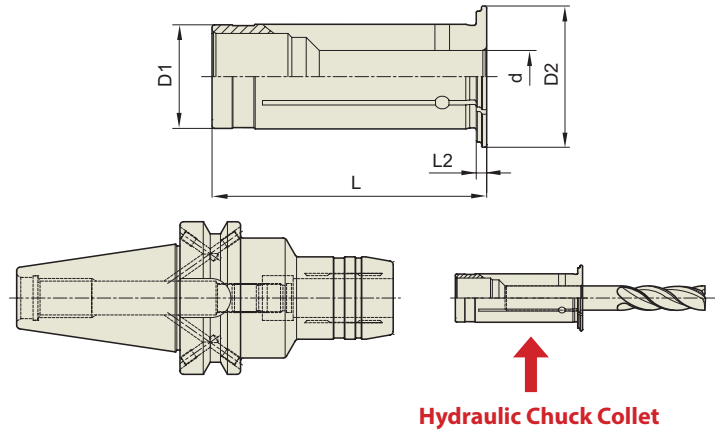
Chucking Method

Please assemble cutting tool with collet first, and then insert collet into Hydraulic Chuck.

HYDRAULIC CHUCK COLLET

HK

REDUCTION SLEEVE : OPEN TYPE



METRIC / METRIC

Unit : mm

EDP No.	TYPE	d	D1	D2	L	L2	
812030	HK12	3	12	19	47	2	
812040		4	12	19	47	2	
812050		5	12	19	47	2	
812060		6	12	19	47	2	
812070		7	12	19	47	2	
812008		8	12	19	47	2	
820030		HK20	3	20	27	52.5	2
820040			4	20	27	52.5	2
820050	5		20	27	52.5	2	
820060	6		20	27	52.5	2	
820070	7		20	27	52.5	2	
820080	8		20	27	52.5	2	
820090	9		20	27	52.5	2	
820100	10		20	27	52.5	2	
820110	11		20	27	52.5	2	
820120	12		20	27	52.5	2	
820130	13		20	27	52.5	2	
820140	14		20	27	52.5	2	
820150	15		20	27	52.5	2	
820160	16		20	27	52.5	2	
832060	HK32		6	32	39	63.5	3
832080			8	32	39	63.5	3
832100		10	32	39	63.5	3	
832120		12	32	39	63.5	3	
832140		14	32	39	63.5	3	
832160		16	32	39	63.5	3	
832180		18	32	39	63.5	3	
832200		20	32	39	63.5	3	
832250		25	32	39	63.5	3	

* Other special sizes of Hydraulic Chuck collets can be supplied on request.

Feature

Hydraulic Chuck Collet(reduction sleeve) is cut into trisection by high precision cutting to guarantee precise I.D and strong clamping power.

Chucking Method

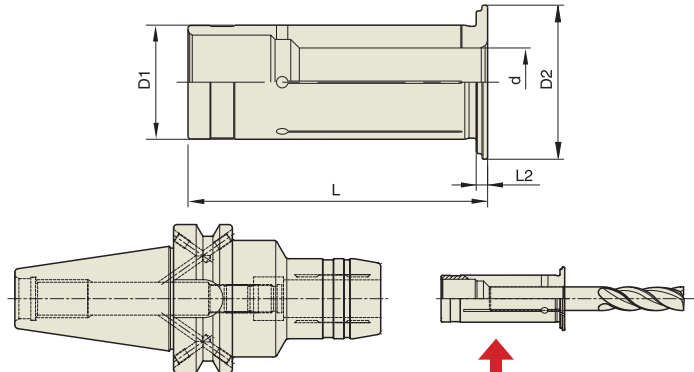
Please assemble cutting tool with collet first, and then insert collet into Hydraulic Chuck.

Hydraulic Chuck
Shrink Fit Holder
End Mill Holder & Side Lock Arbor
ER Collet Chuck
SK Slim Chuck
TG Collet Chuck
Power Milling Chuck
Morse Taper Adapter
Tapping Chuck
One Step Tapping Chuck
Shell Mill Arbor
NC Drill Chuck
Jacobs Taper Arbor
Stub Arbor
Slitting Saw Arbor
Pull Stud & Tool Clamp

HYDRAULIC CHUCK COLLET

HS

REDUCTION SLEEVE : CLOSED TYPE



Hydraulic Chuck Collet

METRIC / METRIC

							Unit : mm	
EDP No.	TYPE		d	D1	D2	L	L2	
912030	HS12	3	3	12	19	47	2	
912040		4	4	12	19	47	2	
912050		5	5	12	19	47	2	
912060		6	6	12	19	47	2	
912070		7	7	12	19	47	2	
912080		8	8	12	19	47	2	
920030		HS20	3	3	20	27	52.5	2
920040			4	4	20	27	52.5	2
920050	5		5	20	27	52.5	2	
920060	6		6	20	27	52.5	2	
920070	7		7	20	27	52.5	2	
920080	8		8	20	27	52.5	2	
920090	9		9	20	27	52.5	2	
920100	10		10	20	27	52.5	2	
920110	11		11	20	27	52.5	2	
920120	12		12	20	27	52.5	2	
920130	13		13	20	27	52.5	2	
920140	14		14	20	27	52.5	2	
920150	15	15	20	27	52.5	2		
920160	16	16	20	27	52.5	2		
932060	HS32	6	6	32	39	63.5	3	
932080		8	8	32	39	63.5	3	
932100		10	10	32	39	63.5	3	
932120		12	12	32	39	63.5	3	
932140		14	14	32	39	63.5	3	
932160		16	16	32	39	63.5	3	
932180		18	18	32	39	63.5	3	
932200		20	20	32	39	63.5	3	
932250		25	25	32	39	63.5	3	

* Other special sizes of Hydraulic Chuck collets can be supplied on request.

Feature

The wall of Hydraulic Chuck Collet(reduction sleeve) is cut by high precision wire-cutting to guarantee precise I.D and strong clamping power.

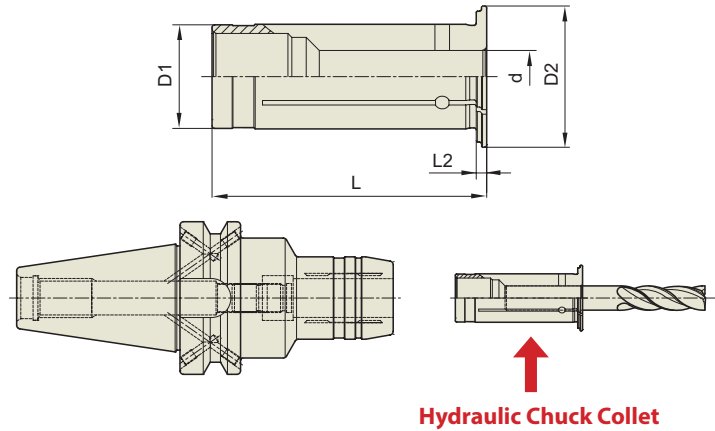
Chucking Method

Please assemble cutting tool with collet first, and then insert collet into Hydraulic Chuck.

HYDRAULIC CHUCK COLLET

HK

REDUCTION SLEEVE : OPEN TYPE



INCH / METRIC

Unit : inch

EDP No.	TYPE		d	D1	D2	L	L2
101203	HK1/2"	3	3mm	0.500	0.748	1.850	0.079
101204		4	4mm	0.500	0.748	1.850	0.079
101205		5	5mm	0.500	0.748	1.850	0.079
101206		6	6mm	0.500	0.748	1.850	0.079
101208		8	8mm	0.500	0.748	1.850	0.079
102503	HK3/4"	3	3mm	0.750	1.063	2.067	0.079
102504		4	4mm	0.750	1.063	2.067	0.079
102505		5	5mm	0.750	1.063	2.067	0.079
102506		6	6mm	0.750	1.063	2.067	0.079
102508		8	8mm	0.750	1.063	2.067	0.079
102510		10	10mm	0.750	1.063	2.067	0.079
102512	HK1"	12	12mm	0.750	1.063	2.067	0.079
102514		14	14mm	0.750	1.063	2.067	0.079
102606		6	6mm	1.000	1.142	2.224	0.079
102608		8	8mm	1.000	1.142	2.224	0.079
102610	HK1"	10	10mm	1.000	1.142	2.224	0.079
102612		12	12mm	1.000	1.142	2.224	0.079
102614		14	14mm	1.000	1.142	2.224	0.079
102616		16	16mm	1.000	1.142	2.224	0.079
102618		18	18mm	1.000	1.142	2.224	0.079
102620	HK1 1/4"	20	20mm	1.000	1.142	2.224	0.079
103208		8	8mm	1.250	1.535	2.500	0.118
103210		10	10mm	1.250	1.535	2.500	0.118
103212		12	12mm	1.250	1.535	2.500	0.118
103214		14	14mm	1.250	1.535	2.500	0.118
103216		16	16mm	1.250	1.535	2.500	0.118
103218		18	18mm	1.250	1.535	2.500	0.118
103220		20	20mm	1.250	1.535	2.500	0.118
103225	25	25mm	1.250	1.535	2.500	0.118	

* Other special sizes of Hydraulic Chuck collets can be supplied on request.

Feature

Hydraulic Chuck Collet(reduction sleeve) is cut into trisection by high precision cutting to guarantee precise I.D and strong clamping power. (The most economical Solution)

Chucking Method

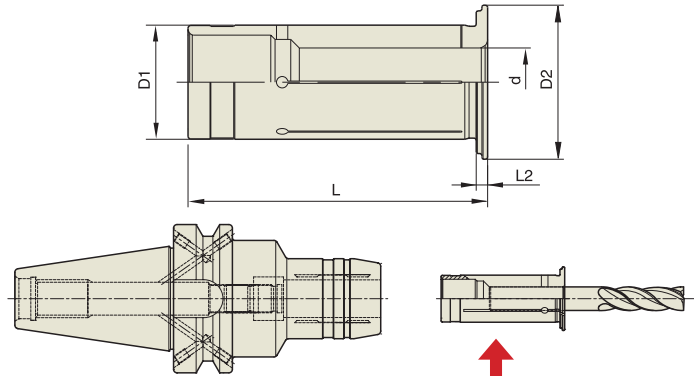
Please assemble cutting tool with collet first, and then insert collet into Hydraulic Chuck.

Hydraulic Chuck
Shrink Fit Holder
End Mill Holder & Side Lock Arbor
ER Collet Chuck
SK Slim Chuck
TG Collet Chuck
Power Milling Chuck
Morse Taper Adapter
Tapping Chuck
One Step Tapping Chuck
Shell Mill Arbor
NC Drill Chuck
Jacobs Taper Arbor
Stub Arbor
Slitting Saw Arbor
Pull Stud & Tool Clamp

HYDRAULIC CHUCK COLLET

HS

REDUCTION SLEEVE : CLOSED TYPE



Hydraulic Chuck Collet

INCH / METRIC

							Unit : inch
EDP No.	TYPE		d	D1	D2	L	L2
111203	HS1/2"	3	3mm	0.500	0.748	1.850	0.079
111204		4	4mm	0.500	0.748	1.850	0.079
111205		5	5mm	0.500	0.748	1.850	0.079
111206		6	6mm	0.500	0.748	1.850	0.079
111208		8	8mm	0.500	0.748	1.850	0.079
112503		HS3/4"	3	3mm	0.750	1.063	2.067
112504	4		4mm	0.750	1.063	2.067	0.079
112505	5		5mm	0.750	1.063	2.067	0.079
112506	6		6mm	0.750	1.063	2.067	0.079
112508	8		8mm	0.750	1.063	2.067	0.079
112510	10		10mm	0.750	1.063	2.067	0.079
112512	12		12mm	0.750	1.063	2.067	0.079
112514	14		14mm	0.750	1.063	2.067	0.079
112606	HS1"	6	6mm	1.000	1.142	2.224	0.079
112608		8	8mm	1.000	1.142	2.224	0.079
112610		10	10mm	1.000	1.142	2.224	0.079
112612		12	12mm	1.000	1.142	2.224	0.079
112614		14	14mm	1.000	1.142	2.224	0.079
112616		16	16mm	1.000	1.142	2.224	0.079
112618		18	18mm	1.000	1.142	2.224	0.079
112620		20	20mm	1.000	1.142	2.224	0.079
113208	HS1 1/4"	8	8mm	1.250	1.535	2.500	0.118
113210		10	10mm	1.250	1.535	2.500	0.118
113212		12	12mm	1.250	1.535	2.500	0.118
113214		14	14mm	1.250	1.535	2.500	0.118
113216		16	16mm	1.250	1.535	2.500	0.118
113218		18	18mm	1.250	1.535	2.500	0.118
113220		20	20mm	1.250	1.535	2.500	0.118
113225		25	25mm	1.250	1.535	2.500	0.118

* Other special sizes of Hydraulic Chuck collets can be supplied on request.

Feature

The wall of Hydraulic Chuck Collet(reduction sleeve) is cut by high precision wire-cutting to guarantee precise I.D and strong clamping power.

Chucking Method

Please assemble cutting tool with collet first, and then insert collet into Hydraulic Chuck.



ROTARY TOOLING

SHRINK FIT HOLDER



COOLANT THROUGH, , COOLANT CHANNEL,
COOLANT CHANNEL RESEALABLE,
COOLANT CHANNEL & THICK WALL
EXTENSION

CAT : ASME B5.50-2009

CCT : CAT DUAL CONTACT

BT : JIS B6339/MAS 403-BT/ISO7388-2

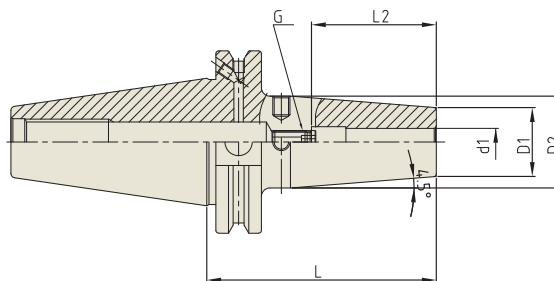
CBT : BT DUAL CONTACT

HSK : DIN69893/ISO12164-1

STRAIGHT

SHRINK FIT HOLDER

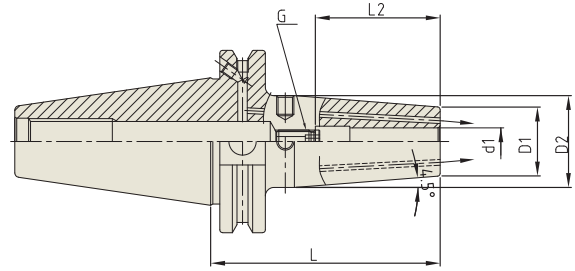
CAT



CAT40 (Inch)

Unit : inch

EDP No.	MODEL No.	d1	D1	D2	L	L2	G
VK020	CAT40 AD/B - SFH 1/8 - 3.15	0.125	0.394	0.748	3.150	0.354	-
VK028	CAT40 AD/B - SFH 1/8 - 5.12	0.125	0.394	0.748	5.120	0.354	-
VK022	CAT40 AD/B - SFH 3/16 - 3.15	0.188	0.394	0.748	3.150	0.472	-
VK029	CAT40 AD/B - SFH 3/16 - 5.12	0.188	0.394	0.748	5.120	0.472	-
VK024	CAT40 AD/B - SFH 1/4 - 3.15	0.250	0.827	1.063	3.150	1.417	M5x0.8mm
VK026	CAT40 AD/B - SFH 1/4 - 6.30	0.250	0.827	1.063	6.300	1.417	M5x0.8mm
VK028	CAT40 AD/B - SFH 3/8 - 3.15	0.375	0.945	1.260	3.150	1.713	M8x1.0mm
VK030	CAT40 AD/B - SFH 3/8 - 6.30	0.375	0.945	1.260	6.300	1.713	M8x1.0mm
VK032	CAT40 AD/B - SFH 1/2 - 3.15	0.500	0.945	1.260	3.150	1.890	M10x1.0mm
VK034	CAT40 AD/B - SFH 1/2 - 6.30	0.500	0.945	1.260	6.300	1.929	M10x1.0mm
VK036	CAT40 AD/B - SFH 5/8 - 3.15	0.625	1.063	1.339	3.150	2.047	M12x1.0mm
VK038	CAT40 AD/B - SFH 5/8 - 6.30	0.625	1.063	1.339	6.300	2.047	M12x1.0mm
VK040	CAT40 AD/B - SFH 3/4 - 3.15	0.750	1.299	1.654	3.150	2.126	M16x1.0mm
VK042	CAT40 AD/B - SFH 3/4 - 6.30	0.750	1.299	1.654	6.300	2.126	M16x1.0mm
VK044	CAT40 AD/B - SFH 1.0 - 3.94	1.000	1.732	2.087	3.937	2.362	M16x1.0mm
VK046	CAT40 AD/B - SFH 1.0 - 6.30	1.000	1.732	2.087	6.300	2.362	M16x1.0mm
VK048	CAT40 AD/B - SFH 1 1/4 - 3.94	1.250	1.732	2.087	3.937	2.362	M16x1.0mm
VK050	CAT40 AD/B - SFH 1 1/4 - 6.30	1.250	1.732	2.087	6.300	2.362	M16x1.0mm



CAT40 - Coolant Channel (Inch)

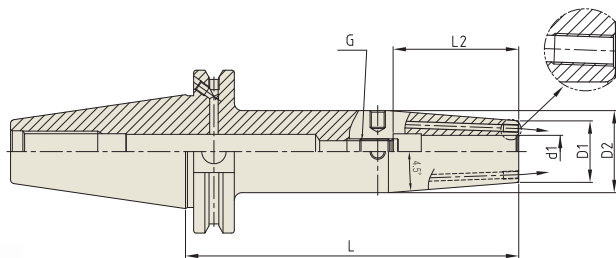


Unit : inch

EDP No.	MODEL No.	d1	D1	D2	L	L2	G
VK020J	CAT40 AD/B - SFH 1/8C - 3.15	0.125	0.472	0.827	3.150	0.394	-
VK022J	CAT40 AD/B - SFH 3/16C - 3.15	0.188	0.472	0.827	3.150	0.472	-
VK024J	CAT40 AD/B - SFH 1/4C - 3.15	0.250	0.472	0.827	3.150	0.591	-
VK028J	CAT40 AD/B - SFH 3/8C - 3.15	0.375	0.945	1.260	3.150	1.713	M8x1.0mm
VK030J	CAT40 AD/B - SFH 3/8C - 6.30	0.375	0.945	1.260	6.300	1.673	M8x1.0mm
VK032J	CAT40 AD/B - SFH 1/2C - 3.15	0.500	0.945	1.260	3.150	1.929	M10x1.0mm
VK034J	CAT40 AD/B - SFH 1/2C - 6.30	0.500	0.945	1.260	6.300	1.929	M10x1.0mm
VK036J	CAT40 AD/B - SFH 5/8C - 3.15	0.625	1.063	1.339	3.150	2.047	M12x1.0mm
VK038J	CAT40 AD/B - SFH 5/8C - 6.30	0.625	1.063	1.339	6.300	2.047	M12x1.0mm
VK040J	CAT40 AD/B - SFH 3/4C - 3.15	0.750	1.299	1.654	3.150	2.126	M16x1.0mm
VK042J	CAT40 AD/B - SFH 3/4C - 6.30	0.750	1.299	1.654	6.300	2.126	M16x1.0mm
VK044J	CAT40 AD/B - SFH 1.0C - 3.94	1.000	1.732	2.087	3.940	2.362	M16x1.0mm
VK046J	CAT40 AD/B - SFH 1.0C - 6.30	1.000	1.732	2.087	6.300	2.362	M16x1.0mm
VK048J	CAT40 AD/B - SFH 1 1/4C - 3.94	1.250	1.732	2.087	3.940	2.362	M16x1.0mm
VK050J	CAT40 AD/B - SFH 1 1/4C - 6.30	1.250	1.732	2.087	6.300	2.362	M16x1.0mm

SHRINK FIT HOLDER

CAT

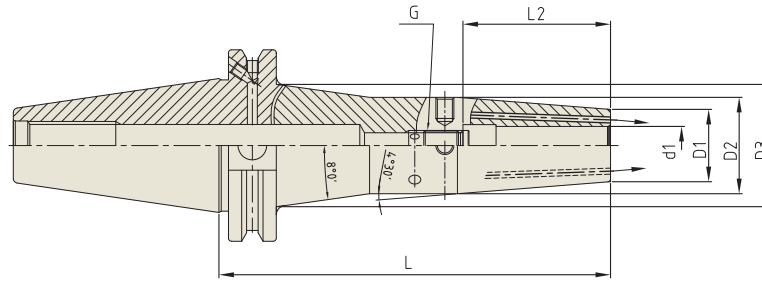


CAT40 - Coolant Channel Resealable (Inch)

Unit : inch

EDP No.	MODEL No.	d1	D1	D2	L	L2	G
VK221JR	CAT40 AD/B - SFH 1/4CR - 5.12	0.250	0.827	1.063	5.120	1.417	M5x0.8mm
VK222JR	CAT40 AD/B - SFH 5/16CR - 5.12	0.313	0.827	1.063	5.120	1.417	M6x1.0mm
VK219JR	CAT40 AD/B - SFH 3/8CR - 5.12	0.375	0.945	1.260	5.120	1.713	M8x1.0mm
VK223JR	CAT40 AD/B - SFH 7/16CR - 5.12	0.438	0.945	1.260	5.120	1.929	M10x1.0mm
VK220JR	CAT40 AD/B - SFH 1/2CR - 5.12	0.500	0.945	1.260	5.120	1.929	M10x1.0mm
VK224JR	CAT40 AD/B - SFH 5/8CR - 5.12	0.625	1.063	1.339	5.120	2.047	M12x1.0mm
VK225JR	CAT40 AD/B - SFH 3/4CR - 5.12	0.750	1.299	1.654	5.120	2.126	M16x1.0mm
VK226JR	CAT40 AD/B - SFH 1.0CR - 5.12	1.000	1.732	2.087	5.120	2.362	M16x1.0mm

* Resealable type (Thread for plugging screw & screws)



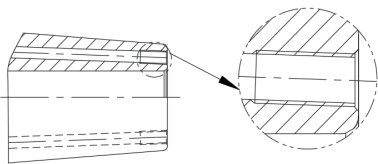
CAT40 - Coolant Channel & Thick Wall (Inch)



Unit : inch

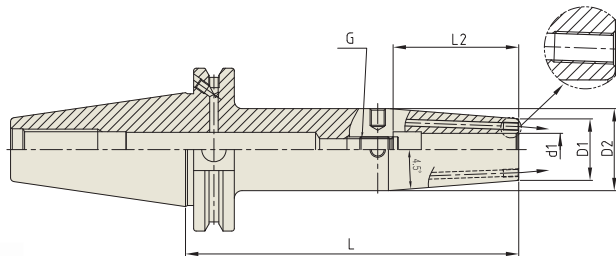
EDP No.	MODEL No.	d1	D1	D2	D3	L	L2	G
VK221JTW	CAT40 AD/B - SFH 1/4C TW - 5.12	0.250	0.827	1.063	1.406	5.120	1.417	M5x0.8mm
VK026JTW	CAT40 AD/B - SFH 1/4C TW - 6.30	0.250	0.827	1.063	1.661	6.300	1.417	M5x0.8mm
VK222JTW	CAT40 AD/B - SFH 5/16C TW - 5.12	0.313	0.827	1.063	1.406	5.120	1.417	M6x1.0mm
VK060JTW	CAT40 AD/B - SFH 5/16C TW - 6.30	0.313	0.827	1.063	1.661	6.300	1.417	M6x1.0mm
VK219JTW	CAT40 AD/B - SFH 3/8C TW - 5.12	0.375	0.945	1.260	1.602	5.120	1.673	M8x1.0mm
VK030JTW	CAT40 AD/B - SFH 3/8C TW - 6.30	0.375	0.945	1.260	1.750	6.300	1.673	M8x1.0mm
VK223JTW	CAT40 AD/B - SFH 7/16C TW - 5.12	0.375	0.945	1.260	1.602	5.120	1.929	M10x1.0mm
VK062JTW	CAT40 AD/B - SFH 7/16C TW - 6.30	0.438	0.945	1.260	1.732	6.300	1.929	M10x1.0mm
VK220JTW	CAT40 AD/B - SFH 1/2C TW - 5.12	0.500	0.945	1.260	1.602	5.120	1.929	M10x1.0mm
VK034JTW	CAT40 AD/B - SFH 1/2C TW - 6.30	0.500	0.945	1.260	1.732	6.300	1.929	M10x1.0mm
VK224JTW	CAT40 AD/B - SFH 5/8C TW - 5.12	0.625	1.063	1.339	1.681	6.300	2.047	M12x1.0mm
VK038JTW	CAT40 AD/B - SFH 5/8C TW - 6.30	0.625	1.063	1.339	1.732	6.300	2.047	M12x1.0mm

* Resealable type available. (Thread for plugging screw & screws)



SHRINK FIT HOLDER

CAT



CAT40 - Coolant Channel Resealable (Metric)

Unit : mm

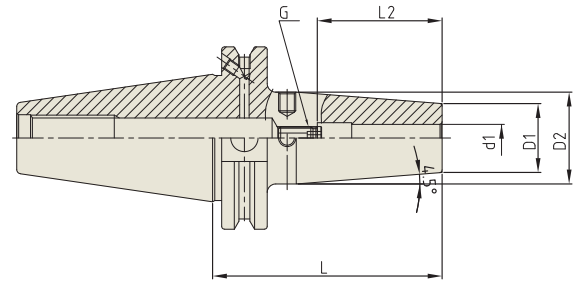
EDP No.	MODEL No.	d1	D1	D2	L	L2	G
VK123J	CAT40 AD/B - SFH 3C - 80 * ¹	3	12	17	80	10	-
VK124J	CAT40 AD/B - SFH 4C - 80 * ¹	4	12	17	80	12	-
VK125J	CAT40 AD/B - SFH 5C - 80 * ¹	5	12	17	80	15	-
VK110JR	CAT40 AD/B - SFH 6CR - 80	6	21	27	80	36	M5x0.8
VK101JR	CAT40 AD/B - SFH 6CR - 130	6	21	27	130	36	M5x0.8
VK111JR	CAT40 AD/B - SFH 6CR - 160	6	21	27	160	36	M5x0.8
VK112JR	CAT40 AD/B - SFH 8CR - 80	8	21	27	80	36	M6x1.0
VK102JR	CAT40 AD/B - SFH 8CR - 130	8	21	27	130	36	M6x1.0
VK113JR	CAT40 AD/B - SFH 8CR - 160	8	21	27	160	36	M6x1.0
VK114JR	CAT40 AD/B - SFH 10CR - 80	10	24	32	80	42.5	M8x1.0
VK103JR	CAT40 AD/B - SFH 10CR - 130	10	24	32	130	42.5	M8x1.0
VK115JR	CAT40 AD/B - SFH 10CR - 160	10	24	32	160	42.5	M8x1.0
VK116JR	CAT40 AD/B - SFH 12CR - 80	12	24	32	80	48	M10x1.0
VK104JR	CAT40 AD/B - SFH 12CR - 130	12	24	32	130	48	M10x1.0
VK117JR	CAT40 AD/B - SFH 12CR - 160	12	24	32	160	48	M10x1.0
VK118JR	CAT40 AD/B - SFH 14CR - 80	14	24	32	80	48	M10x1.0
VK105JR	CAT40 AD/B - SFH 14CR - 130	14	24	32	130	48	M10x1.0
VK119JR	CAT40 AD/B - SFH 14CR - 160	14	24	32	160	48	M10x1.0
VK120JR	CAT40 AD/B - SFH 16CR - 80	16	27	34	80	51	M12x1.0
VK106JR	CAT40 AD/B - SFH 16CR - 130	16	27	34	130	51	M12x1.0
VK121JR	CAT40 AD/B - SFH 16CR - 160	16	27	34	160	51	M12x1.0
VK122JR	CAT40 AD/B - SFH 18CR - 80	18	33	42	80	51	M12x1.0
VK107JR	CAT40 AD/B - SFH 18CR - 130	18	33	42	130	51	M12x1.0
VK123JR	CAT40 AD/B - SFH 18CR - 160	18	33	42	160	51	M12x1.0
VK124JR	CAT40 AD/B - SFH 20CR - 80	20	33	42	80	53	M16x1.0
VK108JR	CAT40 AD/B - SFH 20CR - 130	20	33	42	130	53	M16x1.0
VK125JR	CAT40 AD/B - SFH 20CR - 160	20	33	42	160	53	M16x1.0
VK126JR	CAT40 AD/B - SFH 25CR - 100	25	44	53	100	59	M16x1.0
VK109JR	CAT40 AD/B - SFH 25CR - 130	25	44	53	130	59	M16x1.0
VK127JR	CAT40 AD/B - SFH 25CR - 160	25	44	53	160	59	M16x1.0

* Resealable type (Thread for plugging screw & screws)

*¹ Resealable type is not available.

SHRINK FIT HOLDER

CAT



CAT50 (Inch)

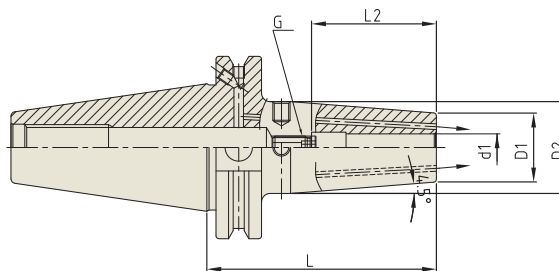
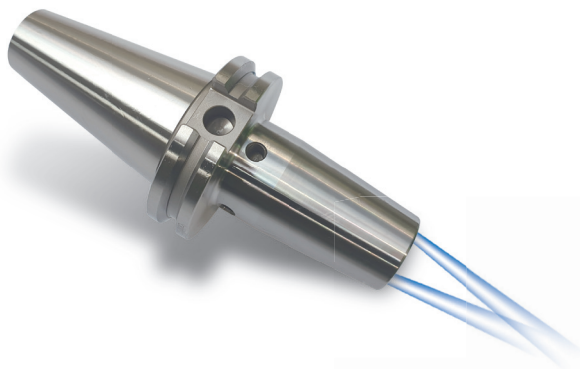


Unit : inch

EDP No.	MODEL No.	d1	D1	D2	L	L2	G
VL020	CAT50 AD/B - SFH 1/8 - 3.15	0.125	0.394	0.748	3.150	0.354	-
VL225	CAT50 AD/B - SFH 1/8 - 5.12	0.125	0.394	0.748	5.120	0.354	-
VL022	CAT50 AD/B - SFH 3/16 - 3.15	0.188	0.394	0.748	3.150	0.472	-
VL226	CAT50 AD/B - SFH 3/16 - 5.12	0.188	0.394	0.748	5.120	0.472	-
VL024	CAT50 AD/B - SFH 1/4 - 3.15	0.250	0.827	1.063	3.150	1.417	M5x0.8mm
VL026	CAT50 AD/B - SFH 1/4 - 6.30	0.250	0.827	1.063	6.300	1.417	M5x0.8mm
VL028	CAT50 AD/B - SFH 3/8 - 3.15	0.375	0.945	1.260	3.150	1.634	M8x1.0mm
VL030	CAT50 AD/B - SFH 3/8 - 6.30	0.375	0.945	1.260	6.300	1.634	M8x1.0mm
VL032	CAT50 AD/B - SFH 1/2 - 3.15	0.500	0.945	1.260	3.150	1.929	M10x1.0mm
VL034	CAT50 AD/B - SFH 1/2 - 6.30	0.500	0.945	1.260	6.300	1.929	M10x1.0mm
VL036	CAT50 AD/B - SFH 5/8 - 3.15	0.625	1.063	1.339	3.150	2.047	M12x1.0mm
VL038	CAT50 AD/B - SFH 5/8 - 6.30	0.625	1.063	1.339	6.300	2.047	M12x1.0mm
VL040	CAT50 AD/8 - SFH 3/4 - 3.15	0.750	1.299	1.654	3.150	2.126	M16x1.0mm
VL042	CAT50 AD/B - SFH 3/4 - 6.30	0.750	1.299	1.654	6.300	2.126	M16x1.0mm
VL044	CAT50 AD/B - SFH 1.0 - 3.94	1.000	1.732	2.087	3.937	2.323	M16x1.0mm
VL046	CAT50 AD/B - SFH 1.0 - 6.30	1.000	1.732	2.087	6.300	2.362	M16x1.0mm
VL048	CAT50 AD/B - SFH 1 1/4 - 3.94	1.250	1.732	2.087	3.937	2.362	M16x1.0mm
VL050	CAT50 AD/B - SFH 1 1/4 - 6.30	1.250	1.732	2.087	6.300	2.362	M16x1.0mm

SHRINK FIT HOLDER

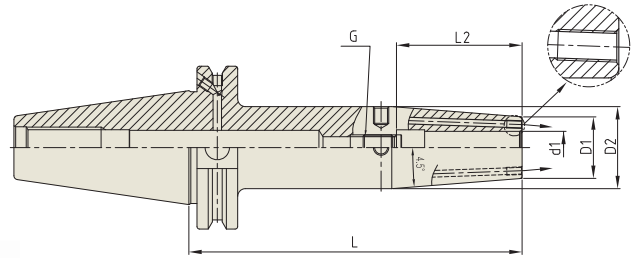
CAT



CAT50 - Coolant Channel (Inch)

Unit : inch

EDP No.	MODEL No.	d1	D1	D2	L	L2	G
VL024J	CAT50 AD/B - SFH 1/4C - 3.15	0.250	0.472	0.827	3.150	0.591	-
VL025J	CAT50 AD/B - SFH 1/4C - 5.12	0.250	0.472	0.827	5.120	0.591	-
VL064J	CAT50 AD/B - SFH 1/4C - 6.30	0.250	0.472	0.827	6.300	0.591	-
VL028J	CAT50 AD/B - SFH 3/8C - 3.15	0.375	0.945	1.260	3.150	1.634	M8x1.0mm
VL030J	CAT50 AD/B - SFH 3/8C - 6.30	0.375	0.945	1.260	6.300	1.673	M8x1.0mm
VL032J	CAT50 AD/B - SFH 1/2C - 3.15	0.500	0.945	1.260	3.150	1.929	M10x1.0mm
VL201J	CAT50 AD/B - SFH 1/2C - 5.12	0.500	0.945	1.260	5.120	1.929	M10x1.0mm
VL034J	CAT50 AD/B - SFH 1/2C - 6.30	0.500	0.945	1.260	6.300	1.929	M10x1.0mm
VL036J	CAT50 AD/B - SFH 5/8C - 3.15	0.625	1.063	1.339	3.150	2.047	M12x1.0mm
VL038J	CAT50 AD/B - SFH 5/8C - 6.3	0.625	1.063	1.339	6.300	2.047	M12x1.0mm
VL040J	CAT50 AD/B - SFH 3/4C - 3.15	0.750	1.299	1.654	3.150	2.126	M16x1.0mm
VL202J	CAT50 AD/B - SFH 3/4C - 5.12	0.750	1.299	1.654	5.120	2.126	M16x1.0mm
VL042J	CAT50 AD/B - SFH 3/4C - 6.3	0.750	1.299	1.654	6.300	2.126	M16x1.0mm
VL044J	CAT50 AD/B - SFH 1.0C - 3.94	1.000	1.732	2.087	3.940	2.362	M16x1.0mm
VL046J	CAT50 AD/B - SFH 1.0C - 6.30	1.000	1.732	2.087	6.300	2.362	M16x1.0mm
VL048J	CAT50 AD/B - SFH 1 1/4C - 3.94	1.250	1.732	2.087	3.940	2.362	M16x1.0mm
VL050J	CAT50 AD/B - SFH 1 1/4C - 6.30	1.250	1.732	2.087	6.300	2.362	M16x1.0mm



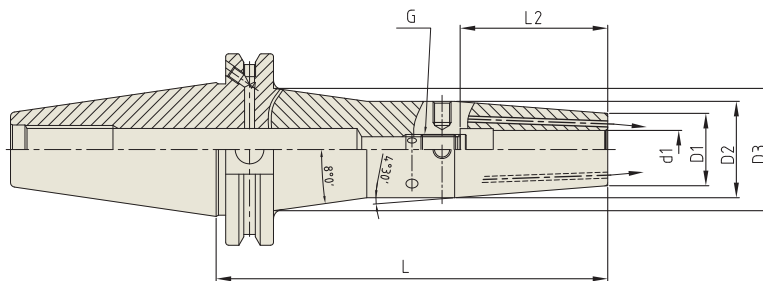
CAT50 - Coolant Channel Resealable (Inch)



Unit : inch

EDP No.	MODEL No.	d1	D1	D2	L	L2	G
VL025JR	CAT50 AD/B - SFH 1/4CR - 5.12	0.250	0.827	1.063	5.120	1.417	M5x0.8mm
VL203JR	CAT50 AD/B - SFH 5/16CR - 5.12	0.313	0.827	1.063	5.120	1.417	M6x1.0mm
VL026JR	CAT50 AD/B - SFH 3/8CR - 5.12	0.375	0.945	1.260	5.120	1.713	M8x1.0mm
VL204JR	CAT50 AD/B - SFH 7/16CR - 5.12	0.438	0.945	1.260	5.120	1.929	M10x1.0mm
VL201JR	CAT50 AD/B - SFH 1/2CR - 5.12	0.500	0.945	1.260	5.120	1.929	M10x1.0mm
VL205JR	CAT50 AD/B - SFH 5/8CR - 5.12	0.625	1.063	1.339	5.120	2.047	M12x1.0mm
VL202JR	CAT50 AD/B - SFH 3/4CR - 5.12	0.750	1.299	1.654	5.120	2.126	M16x1.0mm
VL206JR	CAT50 AD/B - SFH 1.0CR - 5.12	1.000	1.732	2.087	5.120	2.362	M16x1.0mm
VL207JR	CAT50 AD/B - SFH 1 1/4CR - 5.12	1.250	1.732	2.087	5.120	2.362	M16x1.0mm

* Resealable type (Thread for plugging screw & screws)

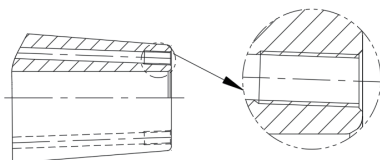


CAT50 - Coolant Channel & Thick Wall (Inch)

Unit : inch

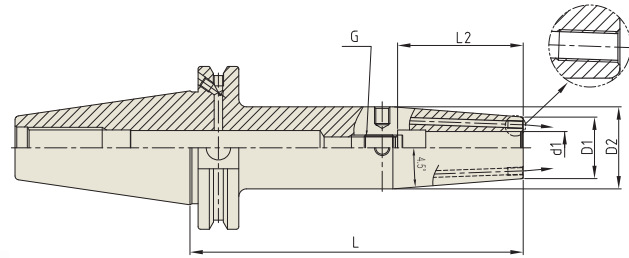
EDP No.	MODEL No.	d1	D1	D2	D3	L	L2	G
VL025JTW	CAT50 AD/B - SFH 1/4C TW - 5.12	0.250	0.827	1.063	1.406	5.120	1.417	M5x0.8mm
VL026JTW	CAT50 AD/B - SFH 1/4C TW - 6.30	0.250	0.827	1.063	1.732	6.300	1.417	M5x0.8mm
VL203JTW	CAT50 AD/B - SFH 5/16C TW - 5.12	0.313	0.827	1.063	1.406	5.120	1.417	M6x1.0mm
VL060JTW	CAT50 AD/B - SFH 5/16C TW - 6.30	0.313	0.827	1.063	1.732	6.300	1.417	M6x1.0mm
VL227JTW	CAT50 AD/B - SFH 3/8C TW - 5.12	0.375	0.945	1.260	1.602	5.120	1.673	M8x1.0mm
VL030JTW	CAT50 AD/B - SFH 3/8C TW - 6.30	0.375	0.945	1.260	1.933	6.300	1.673	M8x1.0mm
VL204JTW	CAT50 AD/B - SFH 7/16C TW - 5.12	0.438	0.945	1.260	1.602	5.120	1.929	M10x1.0mm
VL062JTW	CAT50 AD/B - SFH 7/16C TW - 6.30	0.438	0.945	1.260	1.933	6.300	1.929	M10x1.0mm
VL201JTW	CAT50 AD/B - SFH 1/2C TW - 5.12	0.500	0.945	1.260	1.602	5.120	1.929	M10x1.0mm
VL034JTW	CAT50 AD/B - SFH 1/2C TW - 6.30	0.500	0.945	1.260	1.933	6.300	1.929	M10x1.0mm
VL205JTW	CAT50 AD/B - SFH 5/8C TW - 5.12	0.625	1.063	1.339	1.681	5.120	2.047	M12x1.0mm
VL038JTW	CAT50 AD/B - SFH 5/8C TW - 6.30	0.625	1.063	1.339	2.013	6.300	2.047	M12x1.0mm
VL202JTW	CAT50 AD/B - SFH 3/4C TW - 5.12	0.750	1.299	1.654	1.996	5.120	2.126	M16x1.0mm
VL042JTW	CAT50 AD/B - SFH 3/4C TW - 6.30	0.750	1.299	1.654	2.328	6.300	2.126	M16x1.0mm

* Resealable type available. (Thread for plugging screw & screws)



SHRINK FIT HOLDER

CAT



CAT50 - Coolant Channel Resealable (Metric)



Unit : mm

EDP No.	MODEL No.	d1	D1	D2	L	L2	G
VL128J	CAT50 AD/B - SFH 3C - 80 * ¹	3	12	17	80	10	-
VL129J	CAT50 AD/B - SFH 4C - 80 * ¹	4	12	17	80	12	-
VL130J	CAT50 AD/B - SFH 5C - 80 * ¹	5	12	17	80	15	-
VL111JR	CAT50 AD/B - SFH 6CR - 80	6	21	27	80	36	M5x0.8
VL101JR	CAT50 AD/B - SFH 6CR - 130	6	21	27	130	36	M5x0.8
VL112JR	CAT50 AD/B - SFH 6CR - 160	6	21	27	160	36	M5x0.8
VL113JR	CAT50 AD/B - SFH 8CR - 80	8	21	27	80	36	M6x1.0
VL102JR	CAT50 AD/B - SFH 8CR - 130	8	21	27	130	36	M6x1.0
VL114JR	CAT50 AD/B - SFH 8CR - 160	8	21	27	160	36	M6x1.0
VL115JR	CAT50 AD/B - SFH 10CR - 80	10	24	32	80	42.5	M8x1.0
VL103JR	CAT50 AD/B - SFH 10CR - 130	10	24	32	130	42.5	M8x1.0
VL116JR	CAT50 AD/B - SFH 10CR - 160	10	24	32	160	42.5	M8x1.0
VL117JR	CAT50 AD/B - SFH 12CR - 80	12	24	32	80	48	M10x1.0
VL104JR	CAT50 AD/B - SFH 12CR - 130	12	24	32	130	48	M10x1.0
VL118JR	CAT50 AD/B - SFH 12CR - 160	12	24	32	160	48	M10x1.0
VL119JR	CAT50 AD/B - SFH 14CR - 80	14	24	32	80	48	M10x1.0
VL105JR	CAT50 AD/B - SFH 14CR - 130	14	24	32	130	48	M10x1.0
VL120JR	CAT50 AD/B - SFH 14CR - 160	14	24	32	160	48	M10x1.0
VL121JR	CAT50 AD/B - SFH 16CR - 80	16	27	34	80	51	M12x1.0
VL106JR	CAT50 AD/B - SFH 16CR - 130	16	27	34	130	51	M12x1.0
VL122JR	CAT50 AD/B - SFH 16CR - 160	16	27	34	160	51	M12x1.0
VL123JR	CAT50 AD/B - SFH 18CR - 80	18	33	42	80	51	M12x1.0
VL107JR	CAT50 AD/B - SFH 18CR - 130	18	33	42	130	51	M12x1.0
VL124JR	CAT50 AD/B - SFH 18CR - 160	18	33	42	160	51	M12x1.0
VL125JR	CAT50 AD/B - SFH 20CR - 80	20	33	42	80	53	M16x1.0
VL108JR	CAT50 AD/B - SFH 20CR - 130	20	33	42	130	53	M16x1.0
VL126JR	CAT50 AD/B - SFH 20CR - 160	20	33	42	160	53	M16x1.0
VL127JR	CAT50 AD/B - SFH 25CR - 100	25	44	53	100	59	M16x1.0
VL109JR	CAT50 AD/B - SFH 25CR - 130	25	44	53	130	59	M16x1.0
VL128JR	CAT50 AD/B - SFH 25CR - 160	25	44	53	160	59	M16x1.0
VL129JR	CAT50 AD/B - SFH 32CR - 100	32	44	53	100	63	M16x1.0
VL110JR	CAT50 AD/B - SFH 32CR - 130	32	44	53	130	63	M16x1.0
VL130JR	CAT50 AD/B - SFH 32CR - 160	32	44	53	160	63	M16x1.0

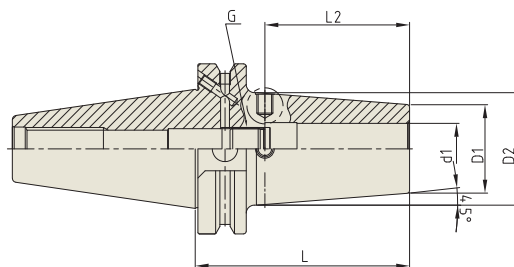
* Resealable type (Thread for plugging screw & screws)

*¹ Resealable type is not available.

Hydraulic Chuck
Shrink Fit Holder
End Mill Holder & Side Lock Arbor
ER Collet Chuck
SK Slim Chuck
TG Collet Chuck
Power Milling Chuck
Morse Taper Adapter
Tapping Chuck
One Step Tapping Chuck
Shell Mill Arbor
NC Drill Chuck
Jacobs Taper Arbor
Stub Arbor
Sitting Saw Arbor
Pull Stud & Tool Clamp

SHRINK FIT HOLDER

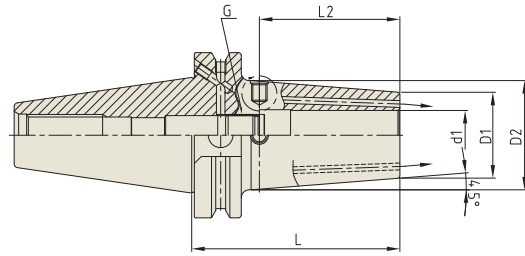
CCT



CCT40 (Inch)

Unit : inch

EDP No.	MODEL No.	d1	D1	D2	L	L2	G
VB020	CCT40 AD/B - SFH 1/8 - 3.15	0.125	0.394	0.748	3.150	0.354	-
VB201	CCT40 AD/B - SFH 1/8 - 5.12	0.125	0.394	0.748	5.120	0.354	-
VB022	CCT40 AD/B - SFH 3/16 - 3.15	0.188	0.394	0.748	3.150	0.472	-
VB202	CCT40 AD/B - SFH 3/16 - 5.12	0.188	0.394	0.748	5.120	0.472	-
VB024	CCT40 AD/B - SFH 1/4 - 3.15	0.250	0.827	1.063	3.150	1.417	M5x0.8mm
VB026	CCT40 AD/B - SFH 1/4 - 6.30	0.250	0.827	1.063	6.300	1.417	M5x0.8mm
VB028	CCT40 AD/B - SFH 3/8 - 3.15	0.375	0.945	1.260	3.150	1.713	M8x1.0mm
VB030	CCT40 AD/B - SFH 3/8 - 6.30	0.375	0.945	1.260	6.300	1.713	M8x1.0mm
VB032	CCT40 AD/B - SFH 1/2 - 3.15	0.500	0.945	1.260	3.150	1.929	M10x1.0mm
VB034	CCT40 AD/B - SFH 1/2 - 6.30	0.500	0.945	1.260	6.300	1.929	M10x1.0mm
VB036	CCT40 AD/B - SFH 5/8 - 3.15	0.625	1.063	1.339	3.150	2.047	M12x1.0mm
VB038	CCT40 AD/B - SFH 5/8 - 6.30	0.625	1.063	1.339	6.300	2.047	M12x1.0mm
VB040	CCT40 AD/B - SFH 3/4 - 3.15	0.750	1.299	1.654	3.150	2.126	M16x1.0mm
VB042	CCT40 AD/B - SFH 3/4 - 6.30	0.750	1.299	1.654	6.300	2.126	M16x1.0mm
VB044	CCT40 AD/B - SFH 1.0 - 3.94	1.000	1.732	2.087	3.937	2.362	M16x1.0mm
VB046	CCT40 AD/B - SFH 1.0 - 6.30	1.000	1.732	2.087	6.300	2.362	M16x1.0mm
VB048	CCT40 AD/B - SFH 1 1/4 - 3.94	1.250	1.732	2.087	3.937	2.362	M16x1.0mm
VB050	CCT40 AD/B - SFH 1 1/4 - 6.30	1.250	1.732	2.087	6.300	2.362	M16x1.0mm



CCT40 - Coolant Channel (Inch)

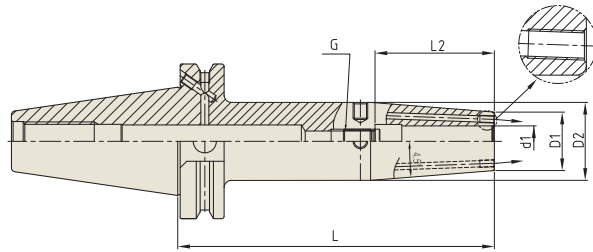


Unit : inch

EDP No.	MODEL No.	d1	D1	D2	L	L2	G
VB020J	CCT40 AD/B - SFH 1/8C - 3.15	0.125	0.472	0.827	3.150	0.394	-
VB022J	CCT40 AD/B - SFH 3/16C - 3.15	0.188	0.472	0.827	3.150	0.472	-
VB024J	CCT40 AD/B - SFH 1/4C - 3.15	0.250	0.827	1.063	3.150	1.417	M5x0.8mm
VB026J	CCT40 AD/B - SFH 1/4C - 6.30	0.250	0.827	1.063	6.300	1.417	M5x0.8mm
VB028J	CCT40 AD/B - SFH 3/8C - 3.15	0.375	0.945	1.260	3.150	1.713	M8x1.0mm
VB030J	CCT40 AD/B - SFH 3/8C - 6.30	0.375	0.945	1.260	6.300	1.713	M8x1.0mm
VB032J	CCT40 AD/B - SFH 1/2C - 3.15	0.500	0.945	1.260	3.150	1.929	M10x1.0mm
VB034J	CCT40 AD/B - SFH 1/2C - 6.30	0.500	0.945	1.260	6.300	1.929	M10x1.0mm
VB036J	CCT40 AD/B - SFH 5/8C - 3.15	0.625	1.063	1.339	3.150	2.047	M12x1.0mm
VB038J	CCT40 AD/B - SFH 5/8C - 6.30	0.625	1.063	1.339	6.300	2.047	M12x1.0mm
VB040J	CCT40 AD/B - SFH 3/4C - 3.15	0.750	1.299	1.654	3.150	2.126	M16x1.0mm
VB042J	CCT40 AD/B - SFH 3/4C - 6.30	0.750	1.299	1.654	6.300	2.126	M16x1.0mm
VB044J	CCT40 AD/B - SFH 1.0C - 3.94	1.000	1.732	2.087	3.940	2.362	M16x1.0mm
VB046J	CCT40 AD/B - SFH 1.0C - 6.30	1.000	1.732	2.087	6.300	2.362	M16x1.0mm
VB048J	CCT40 AD/B - SFH 1 1/4C - 3.94	1.250	1.732	2.087	3.940	2.362	M16x1.0mm
VB050J	CCT40 AD/B - SFH 1 1/4C - 6.30	1.250	1.732	2.087	6.300	2.362	M16x1.0mm

SHRINK FIT HOLDER

CCT

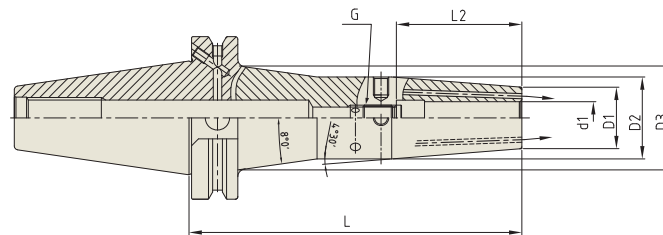


CCT40 - Coolant Channel Resealable (Inch)

Unit : inch

EDP No.	MODEL No.	d1	D1	D2	L	L2	G
VB203JR	CCT40 AD/B - SFH 1/4CR - 5.12	0.250	0.827	1.063	5.120	1.417	M5x0.8mm
VB204JR	CCT40 AD/B - SFH 5/16CR - 5.12	0.313	0.827	1.063	5.120	1.417	M6x1.0mm
VB205JR	CCT40 AD/B - SFH 3/8CR - 5.12	0.375	0.945	1.260	5.120	1.713	M8x1.0mm
VB206JR	CCT40 AD/B - SFH 7/16CR - 5.12	0.438	0.945	1.260	5.120	1.929	M10x1.0mm
VB207JR	CCT40 AD/B - SFH 1/2CR - 5.12	0.500	0.945	1.260	5.120	1.929	M10x1.0mm
VB208JR	CCT40 AD/B - SFH 5/8CR - 5.12	0.625	1.063	1.339	5.120	2.047	M12x1.0mm
VB209JR	CCT40 AD/B - SFH 3/4CR - 5.12	0.750	1.299	1.654	5.120	2.126	M16x1.0mm
VB210JR	CCT40 AD/B - SFH 1CR - 5.12	1.000	1.732	2.087	5.120	2.362	M16x1.0mm

* Resealable type (Thread for plugging screw & screws)

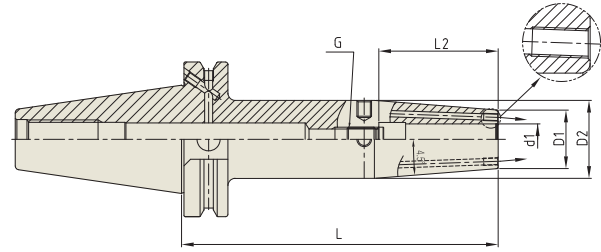


CCT40 - Coolant Channel & Thick Wall (Inch)

Unit : inch

EDP No.	MODEL No.	d1	D1	D2	D3	L	L2	G
VB026JTW	CCT40 AD/B - SFH 1/4C TW - 6.30	0.250	0.827	1.063	1.661	6.300	1.417	M5x0.8mm
VB220JTW	CCT40 AD/B - SFH 5/16C TW - 6.30	0.313	0.827	1.063	1.661	6.300	1.417	M6x1.0mm
VB205JTW	CCT40 AD/B - SFH 3/8C TW - 6.30	0.375	0.945	1.260	1.750	6.300	1.673	M8x1.0mm
VB221JTW	CCT40 AD/B - SFH 7/16C TW - 6.30	0.438	0.945	1.260	1.732	6.300	1.929	M10x1.0mm
VB034JTW	CCT40 AD/B - SFH 1/2C TW - 6.30	0.500	0.945	1.260	1.732	6.300	1.929	M10x1.0mm
VB038JTW	CCT40 AD/B - SFH 5/8C TW - 6.30	0.625	1.063	1.339	1.732	6.300	2.047	M12x1.0mm

* Resealable type available. (Thread for plugging screw & screws)



CCT40 - Coolant Channel Resealable (Metric)



Unit : mm

EDP No.	MODEL No.	d1	D1	D2	L	L2	G
VB101J	CCT40 AD/B - SFH 3C - 80 * ¹	3	12	17	80	10	-
VB102J	CCT40 AD/B - SFH 4C - 80 * ¹	4	12	17	80	12	-
VB103J	CCT40 AD/B - SFH 5C - 80 * ¹	5	12	17	80	15	-
VB110JR	CCT40 AD/B - SFH 6CR - 80	6	21	27	80	36	M5x0.8
VB101JR	CCT40 AD/B - SFH 6CR - 130	6	21	27	130	36	M5x0.8
VB111JR	CCT40 AD/B - SFH 6CR - 160	6	21	27	160	36	M5x0.8
VB112JR	CCT40 AD/B - SFH 8CR - 80	8	21	27	80	36	M6x1.0
VB102JR	CCT40 AD/B - SFH 8CR - 130	8	21	27	130	36	M6x1.0
VB113JR	CCT40 AD/B - SFH 8CR - 160	8	21	27	160	36	M6x1.0
VB114JR	CCT40 AD/B - SFH 10CR - 80	10	24	32	80	42.5	M8x1.0
VB103JR	CCT40 AD/B - SFH 10CR - 130	10	24	32	130	42.5	M8x1.0
VB115JR	CCT40 AD/B - SFH 10CR - 160	10	24	32	160	42.5	M8x1.0
VB116JR	CCT40 AD/B - SFH 12CR - 80	12	24	32	80	48	M10x1.0
VB104JR	CCT40 AD/B - SFH 12CR - 130	12	24	32	130	48	M10x1.0
VB117JR	CCT40 AD/B - SFH 12CR - 160	12	24	32	160	48	M10x1.0
VB118JR	CCT40 AD/B - SFH 14CR - 80	14	24	32	80	48	M10x1.0
VB105JR	CCT40 AD/B - SFH 14CR - 130	14	24	32	130	48	M10x1.0
VB119JR	CCT40 AD/B - SFH 14CR - 160	14	24	32	160	48	M10x1.0
VB120JR	CCT40 AD/B - SFH 16CR - 80	16	27	34	80	51	M12x1.0
VB106JR	CCT40 AD/B - SFH 16CR - 130	16	27	34	130	51	M12x1.0
VB121JR	CCT40 AD/B - SFH 16CR - 160	16	27	34	160	51	M12x1.0
VB122JR	CCT40 AD/B - SFH 18CR - 80	18	33	42	80	51	M12x1.0
VB107JR	CCT40 AD/B - SFH 18CR - 130	18	33	42	130	51	M12x1.0
VB123JR	CCT40 AD/B - SFH 18CR - 160	18	33	42	160	51	M12x1.0
VB124JR	CCT40 AD/B - SFH 20CR - 80	20	33	42	80	53	M16x1.0
VB108JR	CCT40 AD/B - SFH 20CR - 130	20	33	42	130	53	M16x1.0
VB125JR	CCT40 AD/B - SFH 20CR - 160	20	33	42	160	53	M16x1.0
VB126JR	CCT40 AD/B - SFH 25CR - 100	25	44	53	100	59	M16x1.0
VB109JR	CCT40 AD/B - SFH 25CR - 130	25	44	53	130	59	M16x1.0
VB127JR	CCT40 AD/B - SFH 25CR - 160	25	44	53	160	59	M16x1.0

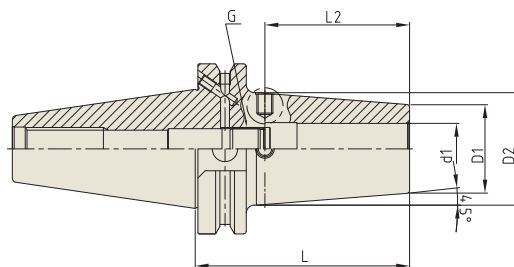
* Resealable type (Thread for plugging screw & screws)

*¹ Resealable type is not available.

Hydraulic Chuck
Shrink Fit Holder
End Mill Holder & Side Lock Arbor
ER Collet Chuck
SK Slim Chuck
TG Collet Chuck
Power Milling Chuck
Morse Taper Adapter
Tapping Chuck
One Step Tapping Chuck
Shell Mill Arbor
NC Drill Chuck
Jacobs Taper Arbor
Stub Arbor
Slitting Saw Arbor
Pull Stud & Tool Clamp

SHRINK FIT HOLDER

CCT



CCT50 (Inch)

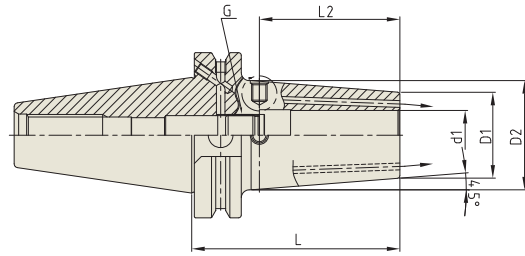
Unit : inch

EDP No.	MODEL No.	d1	D1	D2	L	L2	G
VC020	CCT50 AD/B - SFH 1/8 - 3.15	0.125	0.394	0.748	3.150	0.354	-
VC022	CCT50 AD/B - SFH 3/16 - 3.15	0.188	0.394	0.748	3.150	0.472	-
VC024	CCT50 AD/B - SFH 1/4 - 3.15	0.250	0.827	1.063	3.150	1.417	M5x0.8mm
VC026	CCT50 AD/B - SFH 1/4 - 6.30	0.250	0.827	1.063	6.300	1.417	M5x0.8mm
VC028	CCT50 AD/B - SFH 3/8 - 3.15	0.375	0.945	1.260	3.150	1.634	M8x1.0mm
VC030	CCT50 AD/B - SFH 3/8 - 6.30	0.375	0.945	1.260	6.300	1.634	M8x1.0mm
VC032	CCT50 AD/B - SFH 1/2 - 3.15	0.500	0.945	1.260	3.150	1.929	M10x1.0mm
VC034	CCT50 AD/B - SFH 1/2 - 6.30	0.500	0.945	1.260	6.300	1.929	M10x1.0mm
VC036	CCT50 AD/B - SFH 5/8 - 3.15	0.625	1.063	1.339	3.150	2.047	M12x1.0mm
VC040	CCT50 AD/B - SFH 5/8 - 6.30	0.625	1.063	1.339	6.300	2.047	M12x1.0mm
VC042	CCT50 AD/B - SFH 3/4 - 3.15	0.750	1.299	1.654	3.150	2.126	M16x1.0mm
VC044	CCT50 AD/B - SFH 3/4 - 6.30	0.750	1.299	1.654	6.300	2.126	M16x1.0mm
VC046	CCT50 AD/B - SFH 1.0 - 3.94	1.000	1.732	2.087	3.937	2.362	M16x1.0mm
VC048	CCT50 AD/B - SFH 1.0 - 6.30	1.000	1.732	2.087	6.300	2.362	M16x1.0mm
VC050	CCT50 AD/B - SFH 1 1/4 - 3.94	1.250	1.732	2.087	3.937	2.362	M16x1.0mm
VC052	CCT50 AD/B - SFH 1 1/4 - 6.30	1.250	1.732	2.087	6.300	2.362	M16x1.0mm

CCT40 (Metric)

Unit : mm

EDP No.	MODEL No.	d1	D1	D2	L	L2	G
VB105	CCT40 AD/B - SFH 3 - 130	3	10	15	130	9	-
VB106	CCT40 AD/B - SFH 4 - 130	4	11	15	130	12	-



CCT50 - Coolant Channel (Inch)

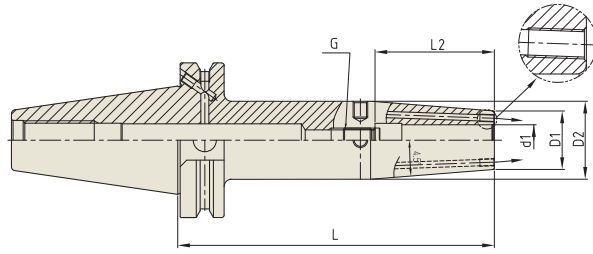


Unit : inch

EDP No.	MODEL No.	d1	D1	D2	L	L2	G
VC024J	CCT50 AD/B - SFH 1/4C - 3.15	0.250	0.827	1.063	3.150	1.417	M5x0.8mm
VC026J	CCT50 AD/B - SFH 1/4C - 6.30	0.250	0.827	1.063	6.300	1.417	M5x0.8mm
VC028J	CCT50 AD/B - SFH 3/8C - 3.15	0.375	0.945	1.260	3.150	1.634	M8x1.0mm
VC030J	CCT50 AD/B - SFH 3/8C - 6.30	0.375	0.945	1.260	6.300	1.634	M8x1.0mm
VC032J	CCT50 AD/B - SFH 1/2C - 3.15	0.500	0.945	1.260	3.150	1.929	M10x1.0mm
VC034J	CCT50 AD/B - SFH 1/2C - 6.30	0.500	0.945	1.260	6.300	1.929	M10x1.0mm
VC036J	CCT50 AD/B - SFH 5/8C - 3.15	0.625	1.063	1.339	3.150	2.047	M12x1.0mm
VC040J	CCT50 AD/B - SFH 5/8C - 6.30	0.625	1.063	1.339	6.300	2.047	M12x1.0mm
VC042J	CCT50 AD/B - SFH 3/4C - 3.15	0.750	1.299	1.654	3.150	2.126	M16x1.0mm
VC044J	CCT50 AD/B - SFH 3/4C - 6.30	0.750	1.299	1.654	6.300	2.126	M16x1.0mm
VC046J	CCT50 AD/B - SFH 1.0C - 3.94	1.000	1.732	2.087	3.940	2.362	M16x1.0mm
VC048J	CCT50 AD/B - SFH 1.0C - 6.30	1.000	1.732	2.087	6.300	2.362	M16x1.0mm
VC050J	CCT50 AD/B - SFH 1 1/4C - 3.94	1.250	1.732	2.087	3.940	2.362	M16x1.0mm
VC052J	CCT50 AD/B - SFH 1 1/4C - 6.30	1.250	1.732	2.087	6.300	2.362	M16x1.0mm

SHRINK FIT HOLDER

CCT

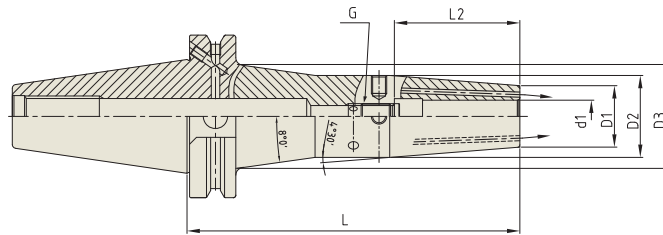


CCT50 - Coolant Channel Resealable (Inch)

Unit : inch

EDP No.	MODEL No.	d1	D1	D2	L	L2	G
VC102JR	CCT50 AD/B - SFH 1/4CR - 5.12	0.250	0.827	1.063	5.120	1.417	M5x0.8mm
VC108JR	CCT50 AD/B - SFH 5/16CR - 5.12	0.313	0.827	1.063	5.120	1.417	M6x1.0mm
VC103JR	CCT50 AD/B - SFH 3/8CR - 5.12	0.375	0.945	1.260	5.120	1.713	M8x1.0mm
VC109JR	CCT50 AD/B - SFH 7/16CR - 5.12	0.438	0.945	1.260	5.120	1.929	M10x1.0mm
VC104JR	CCT50 AD/B - SFH 1/2CR - 5.12	0.500	0.945	1.260	5.120	1.929	M10x1.0mm
VC105JR	CCT50 AD/B - SFH 5/8CR - 5.12	0.625	1.063	1.339	5.120	2.047	M12x1.0mm
VC106JR	CCT50 AD/B - SFH 3/4CR - 5.12	0.750	1.299	1.654	5.120	2.126	M16x1.0mm
VC107JR	CCT50 AD/B - SFH 1CR - 5.12	1.000	1.732	2.087	5.120	2.362	M16x1.0mm

* Resealable type (Thread for plugging screw & screws)

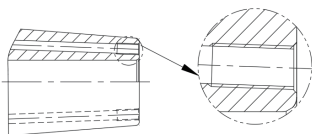


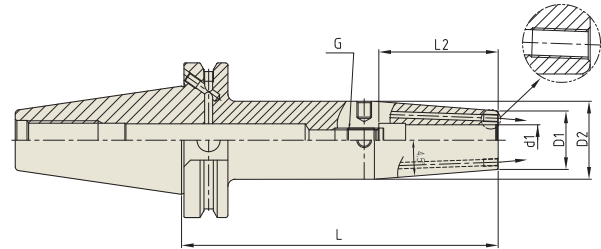
CCT50 - Coolant Channel & Thick Wall (Inch)

Unit : inch

EDP No.	MODEL No.	d1	D1	D2	D3	L	L2	G
VC026JTW	CCT50 AD/B - SFH 1/4C TW - 6.30	0.250	0.827	1.063	1.732	6.300	1.417	M5x0.8mm
VC120JTW	CCT50 AD/B - SFH 5/16C TW - 6.30	0.313	0.827	1.063	1.732	6.300	1.417	M6x1.0mm
VC030JTW	CCT50 AD/B - SFH 3/8C TW - 6.30	0.375	0.945	1.260	1.933	6.300	1.673	M8x1.0mm
VC121JTW	CCT50 AD/B - SFH 7/16C TW - 6.30	0.438	0.945	1.260	1.933	6.300	1.929	M10x1.0mm
VC034JTW	CCT50 AD/B - SFH 1/2C TW - 6.30	0.500	0.945	1.260	1.933	6.300	1.929	M10x1.0mm
VC040JTW	CCT50 AD/B - SFH 5/8C TW - 6.30	0.625	1.063	1.339	2.000	6.300	2.047	M12x1.0mm
VC044JTW	CCT50 AD/B - SFH 3/4C TW - 6.30	0.750	1.299	1.654	2.000	6.300	2.126	M16x1.0mm

* Resealable type available. (Thread for plugging screw & screws)





CCT50 - Coolant Channel Resealable (Metric)



Unit : mm

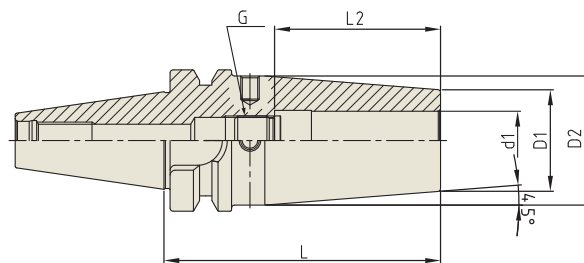
EDP No.	MODEL No.	d1	D1	D2	L	L2	G
VC200J	CCT50 AD/B - SFH 3C - 80 * ¹	3	12	17	80	10	-
VC201J	CCT50 AD/B - SFH 4C - 80 * ¹	4	12	17	80	12	-
VC202J	CCT50 AD/B - SFH 5C - 80 * ¹	5	12	17	80	15	-
VC209JR	CCT50 AD/B - SFH 6CR - 80	6	21	27	80	36	M5x0.8
VC200JR	CCT50 AD/B - SFH 6CR - 130	6	21	27	130	36	M5x0.8
VC210JR	CCT50 AD/B - SFH 6CR - 160	6	21	27	160	36	M5x0.8
VC211JR	CCT50 AD/B - SFH 8CR - 80	8	21	27	80	36	M6x1.0
VC201JR	CCT50 AD/B - SFH 8CR - 130	8	21	27	130	36	M6x1.0
VC212JR	CCT50 AD/B - SFH 8CR - 160	8	21	27	160	36	M6x1.0
VC213JR	CCT50 AD/B - SFH 10CR - 80	10	24	32	80	42.5	M8x1.0
VC202JR	CCT50 AD/B - SFH 10CR - 130	10	24	32	130	42.5	M8x1.0
VC214JR	CCT50 AD/B - SFH 10CR - 160	10	24	32	160	42.5	M8x1.0
VC215JR	CCT50 AD/B - SFH 12CR - 80	12	24	32	80	48	M10x1.0
VC203JR	CCT50 AD/B - SFH 12CR - 130	12	24	32	130	48	M10x1.0
VC216JR	CCT50 AD/B - SFH 12CR - 160	12	24	32	160	48	M10x1.0
VC217JR	CCT50 AD/B - SFH 14CR - 80	14	27	34	80	48	M10x1.0
VC204JR	CCT50 AD/B - SFH 14CR - 130	14	27	34	130	48	M10x1.0
VC218JR	CCT50 AD/B - SFH 14CR - 160	14	27	34	160	48	M10x1.0
VC219JR	CCT50 AD/B - SFH 16CR - 80	16	27	34	80	51	M12x1.0
VC205JR	CCT50 AD/B - SFH 16CR - 130	16	27	34	130	51	M12x1.0
VC220JR	CCT50 AD/B - SFH 16CR - 160	16	27	34	160	51	M12x1.0
VC221JR	CCT50 AD/B - SFH 18CR - 80	18	33	42	80	51	M12x1.0
VC206JR	CCT50 AD/B - SFH 18CR - 130	18	33	42	130	51	M12x1.0
VC222JR	CCT50 AD/B - SFH 18CR - 160	18	33	42	160	51	M12x1.0
VC223JR	CCT50 AD/B - SFH 20CR - 80	20	33	42	80	53	M16x1.0
VC207JR	CCT50 AD/B - SFH 20CR - 130	20	33	42	130	53	M16x1.0
VC224JR	CCT50 AD/B - SFH 20CR - 160	20	33	42	160	53	M16x1.0
VC225JR	CCT50 AD/B - SFH 25CR - 100	25	44	53	100	59	M16x1.0
VC208JR	CCT50 AD/B - SFH 25CR - 130	25	44	53	130	59	M16x1.0
VC226JR	CCT50 AD/B - SFH 25CR - 160	25	44	53	160	59	M16x1.0
VC227JR	CCT50 AD/B - SFH 32CR - 100	32	44	53	100	59	M16x1.0
VC228JR	CCT50 AD/B - SFH 32CR - 130	32	44	53	130	59	M16x1.0
VC229JR	CCT50 AD/B - SFH 32CR - 160	32	44	53	160	59	M16x1.0

* Resealable type (Thread for plugging screw & screws)

*¹ Resealable type is not available.

SHRINK FIT HOLDER

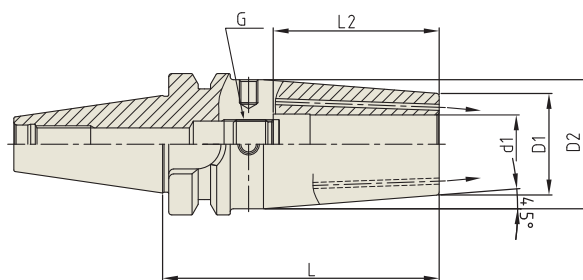
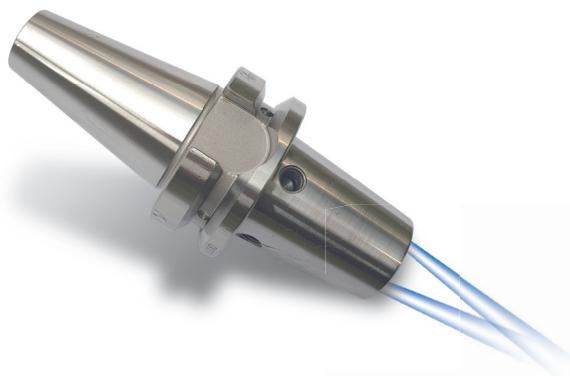
BT



BT30 (Inch)

Unit : inch

EDP No.	TAPER No.	MODEL No.	d1	D1	D2	L	L2	G	WEIGHT (Kg)
VG020	30	BT30 - SFH 1/8 - 2.36	0.125	0.394	0.629	2.362	0.354	-	-
VG022		BT30 - SFH 3/16 - 2.36	0.188	0.394	0.629	2.362	0.472	-	-
VG024		BT30 - SFH 1/4 - 2.36	0.250	0.827	1.062	2.362	1.417	M5x0.8mm	-
VG026		BT30 - SFH 3/8 - 2.36	0.375	0.945	1.180	2.362	1.713	M8x1.0mm	-
VG028		BT30 - SFH 1/2 - 3.15	0.500	0.945	1.260	3.150	1.929	M10x1.0mm	-
VG030		BT30 - SFH 5/8 - 3.15	0.625	1.063	1.339	3.150	2.047	M12x1.0mm	-
VG032		BT30 - SFH 3/4 - 3.54	0.750	1.299	1.654	3.543	2.087	M16x1.0mm	-



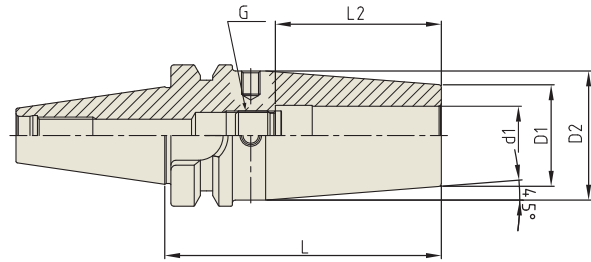
BT30 - Coolant Channel (Inch)

Unit : inch

EDP No.	TAPER No.	MODEL No.	d1	D1	D2	L	L2	G	WEIGHT (Kg)
VG024J	30	BT30 - SFH 1/4C - 2.36	0.250	0.827	1.063	2.360	1.417	M5x0.8mm	-
VG026J		BT30 - SFH 3/8C - 2.36	0.375	0.945	1.180	2.360	1.713	M8x1.0mm	-
VG028J		BT30 - SFH 1/2C - 3.15	0.500	0.945	1.260	3.150	1.929	M10x1.0mm	-
VG030J		BT30 - SFH 5/8C - 3.15	0.625	1.063	1.339	3.150	2.047	M12x1.0mm	-
VG032J		BT30 - SFH 3/4C - 3.54	0.750	1.299	1.654	3.540	2.126	M16x1.0mm	-

SHRINK FIT HOLDER

BT



BT30 (Metric)



Unit : mm

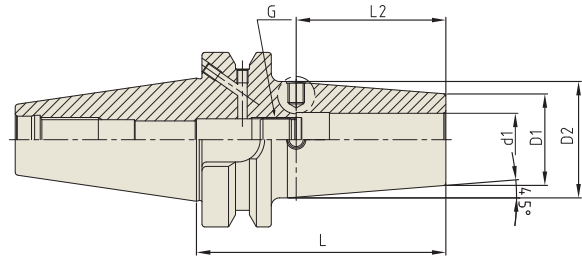
EDP No.	TAPER No.	MODEL No.	d1	D1	D2	L	L2	G	FIG.	WEIGHT (Kg)
P2776703A	30	BT30 - SFH 3 - 60	3	11	15	60	10	-	1	0.40
P2776702A		BT30 - SFH 4 - 60	4	11	15	60	12	-	1	0.40
P2776704A		BT30 - SFH 5 - 60	5	11	15	60	15	M5x0.8	1	0.40
P2776701A		BT30 - SFH 6 - 60	6	21	27	60	36	M5x0.8	2	0.40
P2776705A		BT30 - SFH 8 - 60	8	21	27	60	36	M6x1.0	2	0.40
P2776706A		BT30 - SFH 10 - 80	10	24	32	80	42	M8x1.0	2	0.40
P2776707A		BT30 - SFH 12 - 80	12	24	32	80	47	M10x1.0	2	0.42
P2776708A		BT30 - SFH 14 - 80	14	27	34	80	47	M10x1.0	2	0.42
P2776709A		BT30 - SFH 16 - 80	16	27	34	80	50	M12x1.0	2	0.42
P2776710A		BT30 - SFH 18 - 80	18	33	42	80	50	M12x1.0	2	0.42
P2776711A		BT30 - SFH 20 - 90	20	33	42	90	52	M16x1.0	2	0.44

* Coolant channel is available as option.

Hydraulic Chuck
Shrink Fit Holder
End Mill Holder & Side Lock Arbor
ER Collet Chuck
SK Slim Chuck
TG Collet Chuck
Power Milling Chuck
Morse Taper Adapter
Tapping Chuck
One Step Tapping Chuck
Shell Mill Arbor
NC Drill Chuck
Jacobs Taper Arbor
Stub Arbor
Slitting Saw Arbor
Pull Stud & Tool Clamp

SHRINK FIT HOLDER

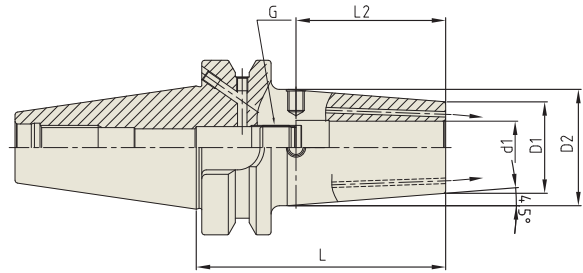
BT



BT40 (Inch)

Unit : inch

EDP No.	TAPER No.	MODEL No.	d1	D1	D2	L	L2	G	WEIGHT (Kg)
VH020	40	BT40 AD/B - SFH 1/8 - 3.54	0.125	0.394	0.748	3.543	0.354	-	-
VH022		BT40 AD/B - SFH 3/16 - 3.54	0.188	0.394	0.748	3.543	0.472	-	-
VH024		BT40 AD/B - SFH 1/4 - 3.54	0.250	0.827	1.063	3.543	1.417	M5x0.8mm	-
VH026		BT40 AD/B - SFH 1/4 - 6.30	0.250	0.827	1.063	6.300	1.417	M5x0.8mm	-
VH028		BT40 AD/B - SFH 3/8 - 3.54	0.375	0.945	1.260	3.543	1.713	M8x1.0mm	-
VH030		BT40 AD/B - SFH 3/8 - 6.30	0.375	0.945	1.260	6.300	1.713	M8x1.0mm	-
VH032		BT40 AD/B - SFH 1/2 - 3.54	0.500	0.945	1.260	3.543	1.929	M10x1.0mm	-
VH034		BT40 AD/B - SFH 1/2 - 6.30	0.500	0.945	1.260	6.300	1.929	M10x1.0mm	-
VH036		BT40 AD/B - SFH 5/8 - 3.54	0.625	1.063	1.339	3.543	2.047	M12x1.0mm	-
VH038		BT40 AD/B - SFH 5/8 - 6.30	0.625	1.063	1.339	6.300	2.047	M12x1.0mm	-
VH040		BT40 AD/B - SFH 3/4 - 3.54	0.750	1.299	1.654	3.543	2.126	M16x1.0mm	-
VH042		BT40 AD/B - SFH 3/4 - 6.30	0.750	1.299	1.654	6.300	2.126	M16x1.0mm	-
VH044		BT40 AD/B - SFH 1.0 - 3.94	1.000	1.732	2.087	3.937	2.362	M16x1.0mm	-
VH046		BT40 AD/B - SFH 1.0 - 6.30	1.000	1.732	2.087	6.300	2.362	M16x1.0mm	-



BT40 - Coolant Channel (Inch)

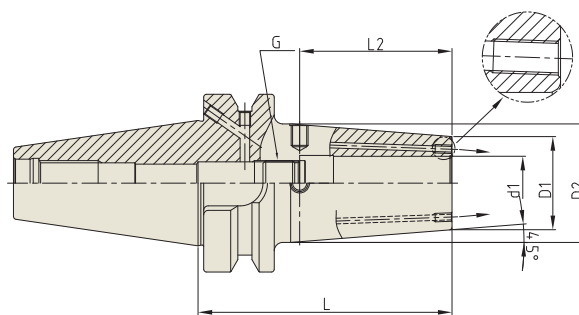


Unit : inch

EDP No.	TAPER No.	MODEL No.	d1	D1	D2	L	L2	G	WEIGHT (Kg)
VH020J	40	BT40 AD/B - SFH 1/8C - 3.54	0.125	0.472	0.827	3.540	0.394	-	-
VH022J		BT40 AD/B - SFH 3/16C - 3.54	0.188	0.472	0.827	3.540	0.472	-	-
VH024J		BT40 AD/B - SFH 1/4C - 3.54	0.250	0.827	1.063	3.540	1.417	M5x0.8mm	-
VH026J		BT40 AD/B - SFH 1/4C - 6.30	0.250	0.827	1.063	6.300	1.417	M5x0.8mm	-
VH028J		BT40 AD/B - SFH 3/8C - 3.54	0.375	0.945	1.260	3.540	1.713	M8x1.0mm	-
VH030J		BT40 AD/B - SFH 3/8C - 6.30	0.375	0.945	1.260	6.300	1.713	M8x1.0mm	-
VH032J		BT40 AD/B - SFH 1/2C - 3.54	0.500	0.945	1.260	3.540	1.929	M10x1.0mm	-
VH034J		BT40 AD/B - SFH 1/2C - 6.30	0.500	0.945	1.260	6.300	1.929	M10x1.0mm	-
VH036J		BT40 AD/B - SFH 5/8C - 3.54	0.625	1.063	1.339	3.540	2.047	M12x1.0mm	-
VH038J		BT40 AD/B - SFH 5/8C - 6.30	0.625	1.063	1.339	6.300	2.047	M12x1.0mm	-
VH040J		BT40 AD/B - SFH 3/4C - 3.54	0.750	1.299	1.654	3.540	2.126	M16x1.0mm	-
VH042J		BT40 AD/B - SFH 3/4C - 6.30	0.750	1.299	1.654	6.300	2.126	M16x1.0mm	-
VH044J		BT40 AD/B - SFH 1.0C - 3.94	1.000	1.732	2.087	3.940	2.362	M16x1.0mm	-
VH046J		BT40 AD/B - SFH 1.0C - 6.30	1.000	1.732	2.087	6.300	2.362	M16x1.0mm	-

SHRINK FIT HOLDER

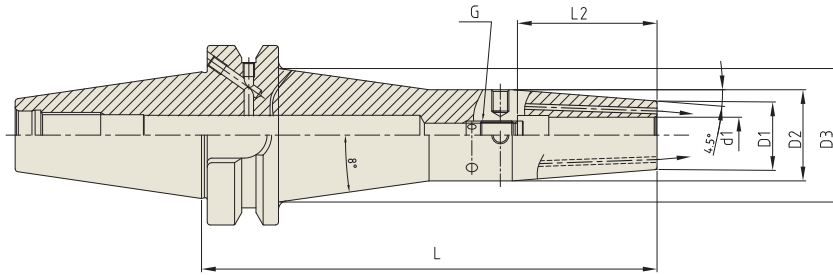
BT



BT40 - Coolant Channel Resealable (Inch)

Unit: inch									
EDP No.	TAPER No.	MODEL No.	d1	D1	D2	L	L2	G	WEIGHT (Kg)
VH051JR	40	BT40 AD/B - SFH 1/4CR - 5.12	0.250	0.827	1.063	5.120	1.417	M5x0.8mm	-
VH057JR		BT40 AD/B - SFH 5/16CR - 5.12	0.313	0.827	1.063	5.120	1.417	M6x1.0mm	-
VH052JR		BT40 AD/B - SFH 3/8CR - 5.12	0.375	0.945	1.260	5.120	1.713	M8x1.0mm	-
VH058JR		BT40 AD/B - SFH 7/16CR - 5.12	0.438	0.945	1.260	5.120	1.929	M10x1.0mm	-
VH053JR		BT40 AD/B - SFH 1/2CR - 5.12	0.500	0.945	1.260	5.120	1.929	M10x1.0mm	-
VH054JR		BT40 AD/B - SFH 5/8CR - 5.12	0.625	1.063	1.339	5.120	2.047	M12x1.0mm	-
VH055JR		BT40 AD/B - SFH 3/4CR - 5.12	0.750	1.299	1.654	5.120	2.126	M12x1.0mm	-
VH056JR		BT40 AD/B - SFH 1.0CR - 5.12	1.000	1.732	2.087	5.120	2.362	M16x1.0mm	-

* Resealable type (Thread for plugging screw & screws)



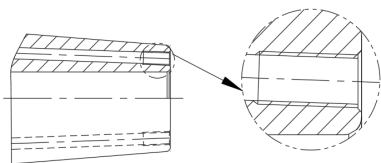
BT40 - Coolant Channel & Thick Wall (Inch)



Unit : inch

EDP No.	TAPER No.	MODEL No.	d1	D1	D2	D3	L	L2	G	WEIGHT (Kg)
VH026JTW	40	BT40 AD/B - SFH 1/4C TW - 6.30	0.250	0.827	1.063	1.654	6.300	1.417	M5x0.8mm	-
VH060JTW		BT40 AD/B - SFH 5/16C TW - 6.30	0.313	0.827	1.063	1.654	6.300	1.417	M6x1.0mm	-
VH030JTW		BT4 0AD/B - SFH 3/8C TW - 6.30	0.375	0.945	1.260	1.850	6.300	1.713	M8x1.0mm	-
VH061JTW		BT40 AD/B - SFH 7/16C TW - 6.30	0.438	0.945	1.260	1.850	6.300	1.929	M10x1.0mm	-
VH034JTW		BT40 AD/B - SFH 1/2C TW - 6.30	0.500	0.945	1.260	1.850	6.300	1.929	M10x1.0mm	-
VH038JTW		BT40 AD/B - SFH 5/8C TW - 6.30	0.625	1.063	1.339	1.929	6.300	2.047	M12x1.0mm	-
VH042JTW		BT40 AD/B - SFH 3/4C TW - 6.30	0.750	1.299	1.654	2.244	6.300	2.126	M16x1.0mm	-

* Resealable type available.



SHRINK FIT HOLDER

BT

FIG.1

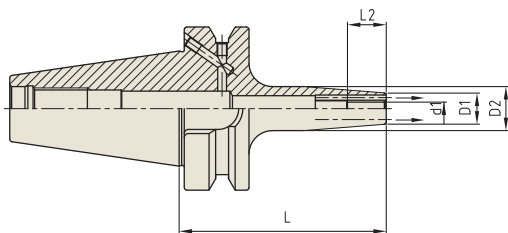
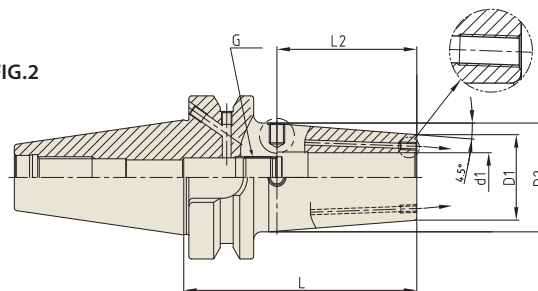


FIG.2



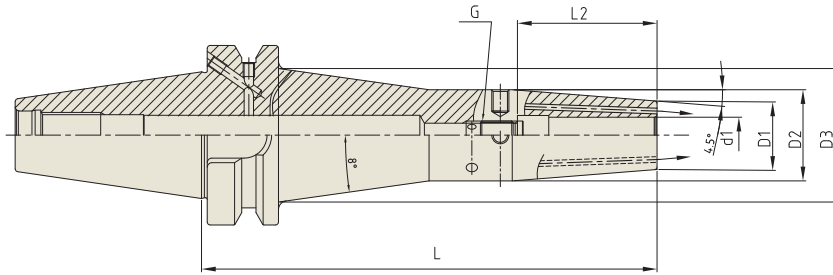
BT40 - Coolant Channel Resealable (Metric)

Unit : mm

EDP No.	TAPER No.	MODEL No.	d1	D1	D2	L	L2	G	FIG.	WEIGHT (Kg)
P2863000C	40	BT40 AD/B - SFH 3C - 90 *1	3	12	17	90	10	-	1	-
P2863001C		BT40 AD/B - SFH 4C - 90 *1	4	12	17	90	12	-	1	-
P2863002C		BT40 AD/B - SFH 5C - 90 *1	5	12	17	90	15	-	1	-
P2863024CR		BT40 AD/B - SFH 6CR - 90	6	21	27	90	36	M5x0.8	2	1.10
P2863003CR		BT40 AD/B - SFH 6CR - 130	6	21	27	130	36	M5x0.8	2	-
P2863025CR		BT40 AD/B - SFH 6CR - 160	6	21	27	160	36	M5x0.8	2	1.15
P2863026CR		BT40 AD/B - SFH 8CR - 90	8	21	27	90	36	M6x1.0	2	1.11
P2863004CR		BT40 AD/B - SFH 8CR - 130	8	21	27	130	36	M6x1.0	2	-
P2863027CR		BT40 AD/B - SFH 8CR - 160	8	21	27	160	36	M6x1.0	2	1.15
P2863028CR		BT40 AD/B - SFH 10CR - 90	10	24	32	90	41	M8x1.0	2	1.10
P2863005CR		BT40 AD/B - SFH 10CR - 130	10	24	32	130	41	M8x1.0	2	-
P2863029CR		BT40 AD/B - SFH 10CR - 160	10	24	32	160	41	M8x1.0	2	1.15
P2863030CR		BT40 AD/B - SFH 12CR - 90	12	24	32	90	47	M10x1.0	2	1.10
P2863006CR		BT40 AD/B - SFH 12CR - 130	12	24	32	130	47	M10x1.0	2	-
P2863031CR		BT40 AD/B - SFH 12CR - 160	12	24	32	160	47	M10x1.0	2	1.15
P2863032CR		BT40 AD/B - SFH 14CR - 90	14	27	34	90	47	M10x1.0	2	1.20
P2863007CR		BT40 AD/B - SFH 14CR - 130	14	27	34	130	47	M10x1.0	2	-
P2863033CR		BT40 AD/B - SFH 14CR - 160	14	27	34	160	47	M10x1.0	2	1.50
P2863034CR		BT40 AD/B - SFH 16CR - 90	16	27	34	90	50	M12x1.0	2	1.20
P2863008CR		BT40 AD/B - SFH 16CR - 130	16	27	34	130	50	M12x1.0	2	-
P2863035CR		BT40 AD/B - SFH 16CR - 160	16	27	34	160	50	M12x1.0	2	1.50
P2863036CR		BT40 AD/B - SFH 18CR - 90	18	33	42	90	50	M12x1.0	2	1.30
P2863009CR		BT40 AD/B - SFH 18CR - 130	18	33	42	130	50	M12x1.0	2	-
P2863037CR		BT40 AD/B - SFH 18CR - 160	18	33	42	160	50	M12x1.0	2	1.60
P2863038CR		BT40 AD/B - SFH 20CR - 90	20	33	42	90	52	M16x1.0	2	1.40
P2863010CR		BT40 AD/B - SFH 20CR - 130	20	33	42	130	52	M16x1.0	2	-
P2863039CR		BT40 AD/B - SFH 20CR - 160	20	33	42	160	52	M16x1.0	2	1.70
P2863040CR		BT40 AD/B - SFH 25CR - 100	25	44	53	100	58	M16x1.0	2	1.70
P2863011CR	BT40 AD/B - SFH 25CR - 130	25	44	53	130	58	M16x1.0	2	-	
P2863041CR	BT40 AD/B - SFH 25CR - 160	25	44	53	160	58	M16x1.0	2	2.00	

* Resealable type (Thread for plugging screw & screws)

*1 Resealable type is not available.

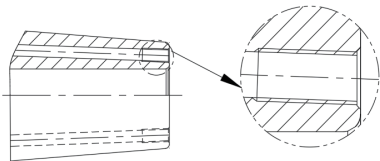


BT40 - Coolant Channel & Thick Wall (Metric)



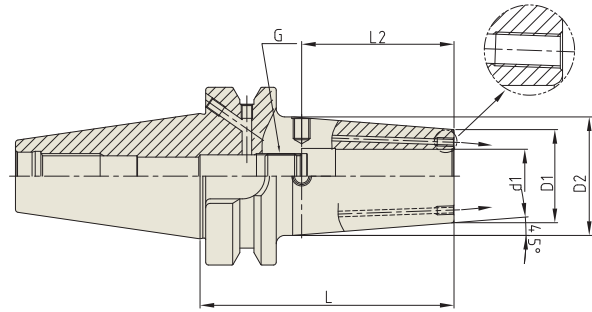
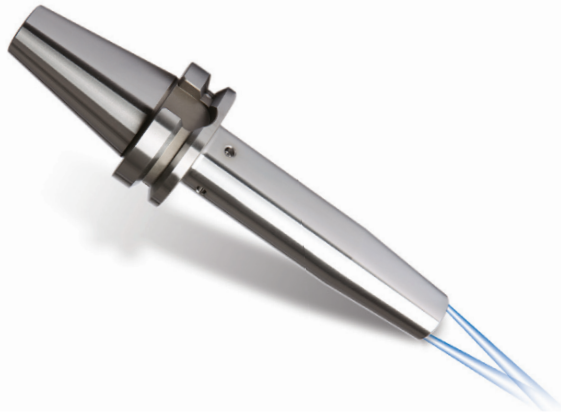
										Unit : mm
EDP No.	TAPER No.	MODEL No.	d1	D1	D2	D3	L	L2	G	WEIGHT (Kg)
P2801601TW	40	BT40 AD/B - SFH 6C TW - 160	6	21	27	41.9	160	36	M5x0.8	1.64
P2801602TW		BT40 AD/B - SFH 8C TW - 160	8	21	27	41.9	160	36	M6x1.0	1.63
P2801603TW		BT40 AD/B - SFH 10C TW - 160	10	24	32	46.9	160	42	M8x1.0	1.84
P2801604TW		BT40 AD/B - SFH 12C TW - 160	12	24	32	46.9	160	47	M10x1.0	1.83
P2801605TW		BT40 AD/B - SFH 14C TW - 160	14	27	34	48.9	160	47	M10x1.0	1.80
P2801606TW		BT40 AD/B - SFH 16C TW - 160	16	27	34	48.9	160	50	M12x1.0	1.92

* Resealable type available.



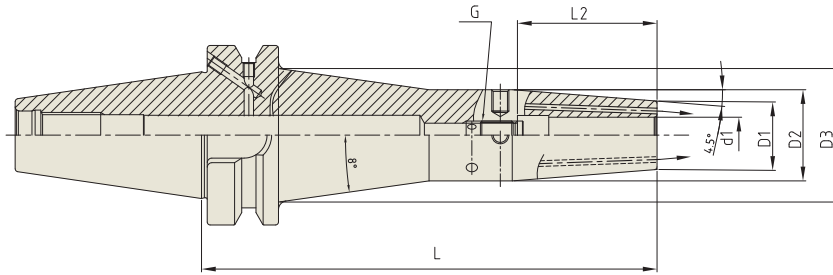
SHRINK FIT HOLDER

BT



BT50 - Coolant Channel Resealable (Inch)

										Unit : inch
EDP No.	TAPER No.	MODEL No.	d1	D1	D2	L	L2	G	WEIGHT (Kg)	
VI201JR	50	BT50 AD/B - SFH 1/4CR - 5.12	0.250	0.827	1.063	5.120	1.417	M5x0.8mm	-	
VI202JR		BT50 AD/B - SFH 5/16CR - 5.12	0.313	0.827	1.063	5.120	1.417	M6x1.0mm	-	
VI203JR		BT50 AD/B - SFH 3/8CR - 5.12	0.375	0.945	1.260	5.120	1.713	M8x1.0mm	-	
VI204JR		BT50 AD/B - SFH 7/16CR - 5.12	0.438	0.945	1.260	5.120	1.929	M10x1.0mm	-	
VI205JR		BT50 AD/B - SFH 1/2CR - 5.12	0.500	0.945	1.260	5.120	1.929	M10x1.0mm	-	
VI206JR		BT50 AD/B - SFH 5/8CR - 5.12	0.625	1.063	1.339	5.120	2.047	M12x1.0mm	-	
VI207JR		BT50 AD/B - SFH 3/4CR - 5.12	0.750	1.299	1.654	5.120	2.126	M12x1.0mm	-	
VI208JR		BT50 AD/B - SFH 1.0CR - 5.12	1.000	1.732	2.087	5.120	2.362	M16x1.0mm	-	



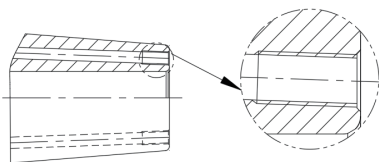
BT50 - Coolant Channel & Thick Wall (Inch)



Unit : inch

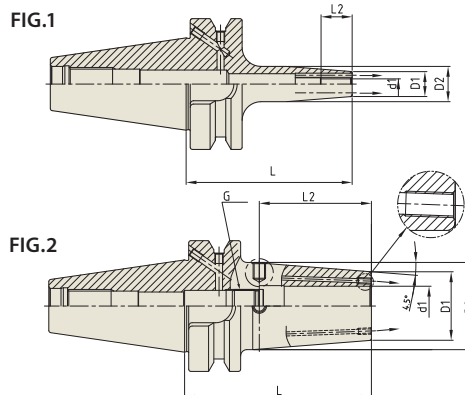
EDP No.	TAPER No.	MODEL No.	d1	D1	D2	D3	L	L2	G	WEIGHT (Kg)
VI300JTW	50	BT50 AD/B - SFH 1/4C TW - 6.30	0.250	0.827	1.063	1.531	6.300	1.417	M5x0.8mm	-
VI301JTW		BT50 AD/B - SFH 5/16C TW - 6.30	0.313	0.827	1.063	1.531	6.300	1.417	M6x1.0mm	-
VI302JTW		BT50 AD/B - SFH 3/8C TW - 6.30	0.375	0.945	1.260	1.728	6.300	1.713	M8x1.0mm	-
VI303JTW		BT50 AD/B - SFH 7/16C TW - 6.30	0.438	0.945	1.260	1.728	6.300	1.929	M10x1.0mm	-
VI304JTW		BT50 AD/B - SFH 1/2C TW - 6.30	0.500	0.945	1.260	1.728	6.300	1.929	M10x1.0mm	-
VI305JTW		BT50 AD/B - SFH 5/8C TW - 6.30	0.625	1.063	1.339	1.807	6.300	2.047	M12x1.0mm	-
VI306JTW		BT50 AD/B - SFH 3/4C TW - 6.30	0.750	1.299	1.654	2.122	6.300	2.126	M16x1.0mm	-
VI307JTW		BT50 AD/B - SFH 1.0C TW - 6.30	1.000	1.732	2.087	2.557	6.300	2.126	M16x1.0mm	-
VI308JTW		BT50 AD/B - SFH1 1/4C TW - 6.30	1.250	1.732	2.087	2.557	6.300	2.126	M16x1.0mm	-

* Resealable type available.



SHRINK FIT HOLDER

BT



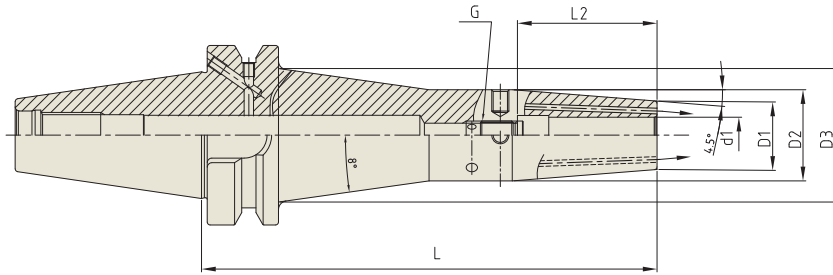
BT50 - Coolant Channel Resealable (Metric)

Unit : mm

EDP No.	TAPER No.	MODEL No.	d1	D1	D2	L	L2	G	FIG.	WEIGHT (Kg)
P2863012C	50	BT50 AD/B - SFH 3C - 100 * ¹	3	12	17	100	10	-	1	-
P2863013C		BT50 AD/B - SFH 4C - 100 * ¹	4	12	17	100	12	-	1	-
P2863014C		BT50 AD/B - SFH 5C - 100 * ¹	5	12	17	100	15	-	1	-
P2863042CR		BT50 AD/B - SFH 6CR - 100	6	21	27	100	36	M5x0.8	2	1.50
P2863015CR		BT50 AD/B - SFH 6CR - 130	6	21	27	130	36	M5x0.8	2	-
P2863043CR		BT50 AD/B - SFH 6CR - 160	6	21	27	160	36	M5x0.8	2	2.00
P2863044CR		BT50 AD/B - SFH 8CR - 100	8	21	27	100	36	M6x1.0	2	1.50
P2863016CR		BT50 AD/B - SFH 8CR - 130	8	21	27	130	36	M6x1.0	2	-
P2863045CR		BT50 AD/B - SFH 8CR - 160	8	21	27	160	36	M6x1.0	2	2.00
P2863046CR		BT50 AD/B - SFH 10CR - 100	10	24	32	100	42	M8x1.0	2	1.10
P2863017CR		BT50 AD/B - SFH 10CR - 130	10	24	32	130	42	M8x1.0	2	-
P2863047CR		BT50 AD/B - SFH 10CR - 160	10	24	32	160	42	M8x1.0	2	1.15
P2863048CR		BT50 AD/B - SFH 12CR - 100	12	24	32	100	47	M10x1.0	2	1.60
P2863018CR		BT50 AD/B - SFH 12CR - 130	12	24	32	130	47	M10x1.0	2	-
P2863049CR		BT50 AD/B - SFH 12CR - 160	12	24	32	160	47	M10x1.0	2	2.10
P2863050CR		BT50 AD/B - SFH 14CR - 100	14	27	34	100	47	M10x1.0	2	1.60
P2863019CR		BT50 AD/B - SFH 14CR - 130	14	27	34	130	47	M10x1.0	2	-
P2863051CR		BT50 AD/B - SFH 14CR - 160	14	27	34	160	47	M10x1.0	2	2.10
P2863052CR		BT50 AD/B - SFH 16CR - 100	16	27	34	100	50	M12x1.0	2	1.60
P2863020CR		BT50 AD/B - SFH 16CR - 130	16	27	34	130	50	M12x1.0	2	-
P2863053CR		BT50 AD/B - SFH 16CR - 160	16	27	34	160	50	M12x1.0	2	2.10
P2863054CR		BT50 AD/B - SFH 18CR - 100	18	33	42	100	50	M12x1.0	2	1.60
P2863021CR		BT50 AD/B - SFH 18CR - 130	18	33	42	130	50	M12x1.0	2	-
P2863055CR		BT50 AD/B - SFH 18CR - 160	18	33	42	160	50	M12x1.0	2	2.00
P2863056CR		BT50 AD/B - SFH 20CR - 100	20	33	42	100	52	M16x1.0	2	1.80
P2863022CR		BT50 AD/B - SFH 20CR - 130	20	33	42	130	52	M16x1.0	2	-
P2863057CR		BT50 AD/B - SFH 20CR - 160	20	33	42	160	52	M16x1.0	2	2.20
P2863058CR		BT50 AD/B - SFH 25CR - 100	25	44	53	100	58	M16x1.0	2	2.00
P2863023CR		BT50 AD/B - SFH 25CR - 130	25	44	53	130	58	M16x1.0	2	-
P2863059CR	BT50 AD/B - SFH 25CR - 160	25	44	53	160	58	M16x1.0	2	2.40	

* Resealable type (Thread for plugging screw & screws)

*¹ Resealable type is not available.

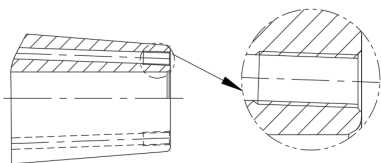


BT50 - Coolant Channel & Thick Wall (Metric)



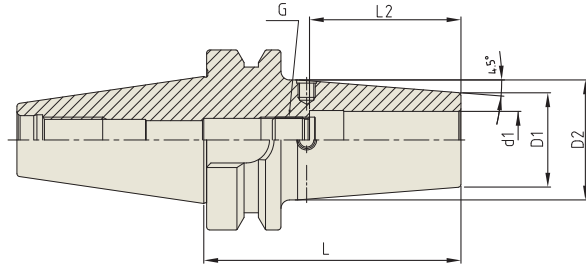
										Unit : mm
EDP No.	TAPER No.	MODEL No.	d1	D1	D2	D3	L	L2	G	WEIGHT (Kg)
P2801607TW	50	BT50 AD/B - SFH 6C TW - 160	6	21	27	38.8	160	36	M5x0.8	4.12
P2801608TW		BT50 AD/B - SFH 8C TW - 160	8	21	27	38.8	160	36	M6x1.0	4.57
P2801609TW		BT50 AD/B - SFH 10C TW - 160	10	24	32	43.8	160	42	M8x1.0	4.76
P2801610TW		BT50 AD/B - SFH 12C TW - 160	12	24	32	43.8	160	47	M10x1.0	4.74
P2801611TW		BT50 AD/B - SFH 14C TW - 160	14	27	34	45.8	160	47	M10x1.0	4.70
P2801612TW		BT50 AD/B - SFH 16C TW - 160	16	27	34	45.8	160	50	M12x1.0	4.69
P2801613TW		BT50 AD/B - SFH 20C TW - 160	20	33	42	53.8	160	52	M16x1.0	5.17

* Resealable type available.



SHRINK FIT HOLDER

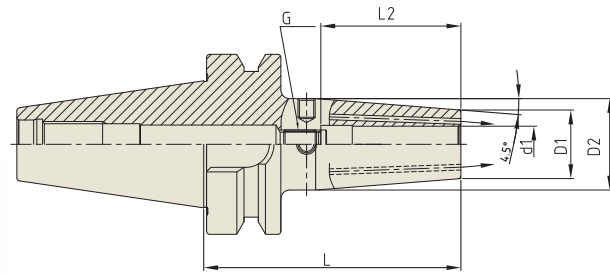
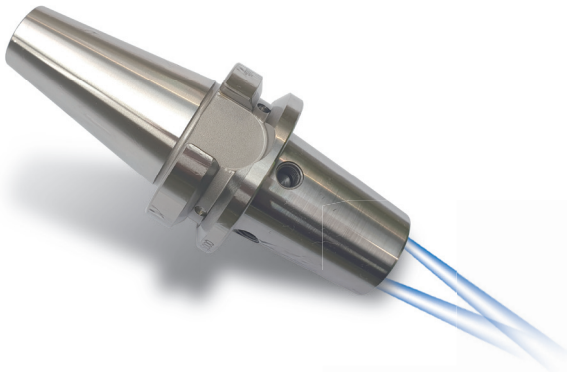
CBT



CBT30 (Inch)

Unit : inch

EDP No.	TAPER No.	MODEL No.	d1	D1	D2	L	L2	G	WEIGHT (Kg)
VD020	30	CBT30 - SFH 1/8 - 2.36	0.125	0.394	0.629	2.362	0.354	-	-
VD022		CBT30 - SFH 3/16 - 2.36	0.188	0.394	0.629	2.362	0.472	-	-
VD024		CBT30 - SFH 1/4 - 2.36	0.250	0.827	1.062	2.362	1.417	M5x0.8mm	-
VD026		CBT30 - SFH 3/8 - 2.36	0.375	0.945	1.180	2.362	1.673	M8x1.0mm	-
VD028		CBT30 - SFH 1/2 - 3.15	0.500	0.945	1.260	3.150	1.929	M10x1.0mm	-
VD030		CBT30 - SFH 5/8 - 3.15	0.625	1.063	1.339	3.150	2.047	M12x1.0mm	-
VD032		CBT30 - SFH 3/4 - 3.54	0.750	1.299	1.654	3.543	2.126	M16x1.0mm	-



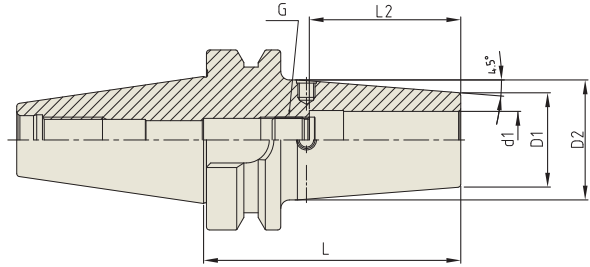
CBT30 - Coolant Channel (Inch)

Unit : inch

EDP No.	TAPER No.	MODEL No.	d1	D1	D2	L	L2	G	WEIGHT (Kg)
VD024J	30	CBT30 - SFH 1/4C - 2.36	0.250	0.827	1.062	2.360	1.417	M5x0.8mm	-
VD026J		CBT30 - SFH 3/8C - 2.36	0.375	0.945	1.180	2.360	1.713	M8x1.0mm	-
VD028J		CBT30 - SFH 1/2C - 3.15	0.500	0.945	1.260	3.150	1.929	M10x1.0mm	-
VD030J		CBT30 - SFH 5/8C - 3.15	0.625	1.063	1.339	3.150	2.047	M12x1.0mm	-
VD032J		CBT30 - SFH 3/4C - 3.54	0.750	1.299	1.654	3.540	2.126	M16x1.0mm	-

SHRINK FIT HOLDER

CBT



CBT30 (Metric)



Unit : mm

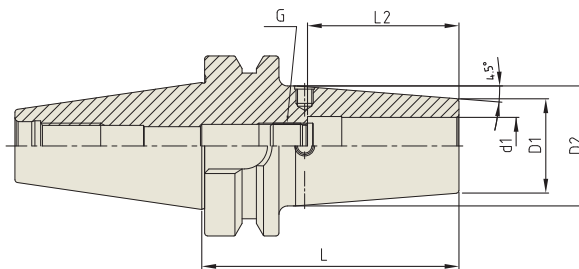
EDP No.	TAPER No.	MODEL No.	d1	D1	D2	L	L2	G	WEIGHT (Kg)
P2771505	30	CBT30 - SFH 3 - 60	3	11	15	60	10	-	0.40
P2771506		CBT30 - SFH 4 - 60	4	11	15	60	12	-	0.40
P2771507		CBT30 - SFH 5 - 60	5	11	15	60	15	M5x0.8	0.40
P2771508		CBT30 - SFH 6 - 60	6	21	27	60	36	M5x0.8	0.40
P2771509		CBT30 - SFH 8 - 60	8	21	27	60	36	M6x1.0	0.40
P2771510		CBT30 - SFH 10 - 80	10	24	32	80	42	M8x1.0	0.40
P2771511		CBT30 - SFH 12 - 80	12	24	32	80	47	M10x1.0	0.42
P2771512		CBT30 - SFH 14 - 80	14	27	34	80	47	M10x1.0	0.42
P2771513		CBT30 - SFH 16 - 80	16	27	34	80	50	M12x1.0	0.42
P2771514		CBT30 - SFH 18 - 80	18	33	42	80	50	M12x1.0	0.42
P2771515		CBT30 - SFH 20 - 90	20	33	42	90	52	M16x1.0	0.44

* Coolant channel is available as option.

Hydraulic Chuck
Shrink Fit Holder
End Mill Holder & Side Lock Arbor
ER Collet Chuck
SK Slim Chuck
TG Collet Chuck
Power Milling Chuck
Morse Taper Adapter
Tapping Chuck
One Step Tapping Chuck
Shell Mill Arbor
NC Drill Chuck
Jacobs Taper Arbor
Stub Arbor
Slitting Saw Arbor
Pull Stud & Tool Clamp

SHRINK FIT HOLDER

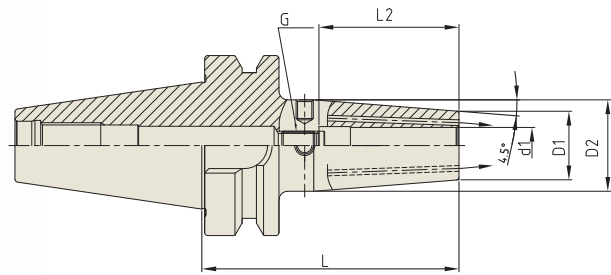
CBT



CBT40 (Inch)

Unit : inch

EDP No.	TAPER No.	MODEL No.	d1	D1	D2	L	L2	G
VE020	40	CBT40 - SFH 1/8 - 3.54	0.125	0.394	0.748	3.543	0.354	-
VE022		CBT40 - SFH 3/16 - 3.54	0.188	0.394	0.748	3.543	0.472	-
VE024		CBT40 - SFH 1/4 - 3.54	0.250	0.827	1.063	3.543	1.417	M5x0.8mm
VE026		CBT40 - SFH 1/4 - 6.30	0.250	0.827	1.063	6.300	1.417	M5x0.8mm
VE028		CBT40 - SFH 3/8 - 3.54	0.375	0.945	1.260	3.543	1.713	M8x1.0mm
VE030		CBT40 - SFH 3/8 - 6.30	0.375	0.945	1.260	6.300	1.713	M8x1.0mm
VE032		CBT40 - SFH 1/2 - 3.54	0.500	0.945	1.260	3.543	1.929	M10x1.0mm
VE034		CBT40 - SFH 1/2 - 6.30	0.500	0.945	1.260	6.300	1.929	M10x1.0mm
VE036		CBT40 - SFH 5/8 - 3.54	0.625	1.063	1.339	3.543	2.047	M12x1.0mm
VE038		CBT40 - SFH 5/8 - 6.30	0.625	1.063	1.339	6.300	2.047	M12x1.0mm
VE040		CBT40 - SFH 3/4 - 3.54	0.750	1.299	1.654	3.543	2.126	M16x1.0mm
VE042		CBT40 - SFH 3/4 - 6.30	0.750	1.299	1.654	6.300	2.126	M16x1.0mm
VE044		CBT40 - SFH 1.0 - 3.94	1.000	1.732	2.087	3.937	2.362	M16x1.0mm
VE046		CBT40 - SFH 1.0 - 6.30	1.000	1.732	2.087	6.300	2.362	M16x1.0mm



CBT40 - Coolant Channel (Inch)

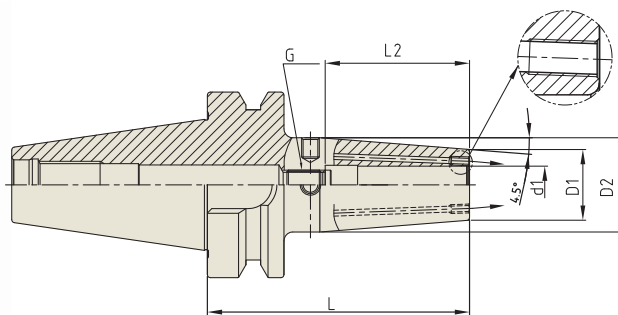


Unit : inch

EDP No.	TAPER No.	MODEL No.	d1	D1	D2	L	L2	G	WEIGHT (Kg)
VE020J	40	CBT40 - SFH 1/8C - 3.54	0.125	0.472	0.827	3.540	0.394	-	-
VE022J		CBT40 - SFH 3/16C - 3.54	0.188	0.472	0.827	3.540	0.472	-	-
VE024J		CBT40 - SFH 1/4C - 3.54	0.250	0.827	1.063	3.540	1.417	M5x0.8mm	-
VE026J		CBT40 - SFH 1/4C - 6.30	0.250	0.827	1.063	6.300	1.417	M5x0.8mm	-
VE028J		CBT40 - SFH 3/8C - 3.54	0.375	0.945	1.260	3.540	1.713	M8x1.0mm	-
VE030J		CBT40 - SFH 3/8C - 6.30	0.375	0.945	1.260	6.300	1.713	M8x1.0mm	-
VE032J		CBT40 - SFH 1/2C - 3.54	0.500	0.945	1.260	3.540	1.929	M10x1.0mm	-
VE034J		CBT40 - SFH 1/2C - 6.30	0.500	0.945	1.260	6.300	1.929	M10x1.0mm	-
VE036J		CBT40 - SFH 5/8C - 3.54	0.625	1.063	1.339	3.540	2.047	M12x1.0mm	-
VE038J		CBT40 - SFH 5/8C - 6.30	0.625	1.063	1.339	6.300	2.047	M12x1.0mm	-
VE040J		CBT40 - SFH 3/4C - 3.54	0.750	1.299	1.654	3.540	2.126	M16x1.0mm	-
VE042J		CBT40 - SFH 3/4C - 6.30	0.750	1.299	1.654	6.300	2.126	M16x1.0mm	-
VE044J		CBT40 - SFH 1.0C - 3.94	1.000	1.732	2.087	3.940	2.362	M16x1.0mm	-
VE046J		CBT40 - SFH 1.0C - 6.30	1.000	1.732	2.087	6.300	2.362	M16x1.0mm	-

SHRINK FIT HOLDER

CBT

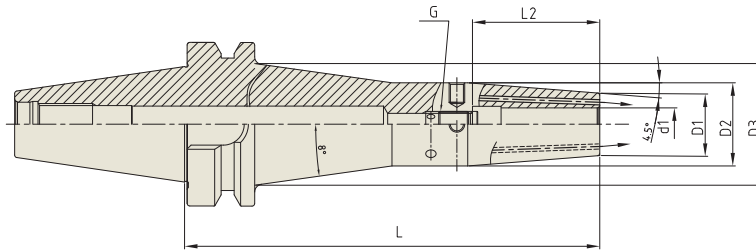


CBT40 - Coolant Channel Resealable (Inch)

Unit : inch

EDP No.	TAPER No.	MODEL No.	d1	D1	D2	L	L2	G	WEIGHT (Kg)
VE122JR	40	CBT40 - SFH 1/4CR - 5.12	0.250	0.827	1.063	5.120	1.417	M5x0.8mm	-
VE129JR		CBT40 - SFH 5/16CR - 5.12	0.313	0.827	1.063	5.120	1.417	M6x1.0mm	-
VE123JR		CBT40 - SFH 3/8CR - 5.12	0.375	0.945	1.260	5.120	1.713	M8x1.0mm	-
VE130JR		CBT40 - SFH 7/16CR - 5.12	0.438	0.945	1.260	5.120	1.929	M10x1.0mm	-
VE124JR		CBT40 - SFH 1/2CR - 5.12	0.500	0.945	1.260	5.120	1.929	M10x1.0mm	-
VE125JR		CBT40 - SFH 5/8CR - 5.12	0.625	1.063	1.339	5.120	2.047	M12x1.0mm	-
VE127JR		CBT40 - SFH 3/4CR - 5.12	0.750	1.299	1.654	5.120	2.126	M12x1.0mm	-
VE128JR		CBT40 - SFH 1.0CR - 5.12	1.000	1.732	2.087	5.120	2.362	M16x1.0mm	-

* Resealable type (Thread for plugging screw & screws)



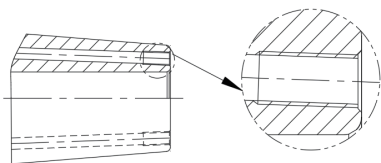
CBT40 - Coolant Channel & Thick Wall (Inch)



Unit : inch

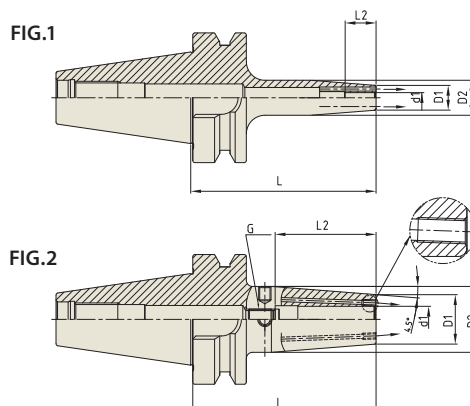
EDP No.	TAPER No.	MODEL No.	d1	D1	D2	D3	L	L2	G	WEIGHT (Kg)
VE100JTW	40	CBT40 - SFH 1/4C TW - 6.30	0.250	0.827	1.063	1.654	6.300	1.417	M5x0.8mm	-
VE101JTW		CBT40 - SFH 5/16C TW - 6.30	0.313	0.827	1.063	1.654	6.300	1.417	M6x1.0mm	-
VE102JTW		CBT40 - SFH 3/8C TW - 6.30	0.375	0.945	1.260	1.850	6.300	1.713	M8x1.0mm	-
VE103JTW		CBT40 - SFH 7/16C TW - 6.30	0.438	0.945	1.260	1.850	6.300	1.929	M10x1.0mm	-
VE104JTW		CBT40 - SFH 1/2C TW - 6.30	0.500	0.945	1.260	1.850	6.300	1.929	M10x1.0mm	-
VE105JTW		CBT40 - SFH 5/8C TW - 6.30	0.625	1.063	1.339	1.929	6.300	2.047	M12x1.0mm	-
VE106JTW		CBT40 - SFH 3/4C TW - 6.30	0.750	1.299	1.654	2.244	6.300	2.126	M16x1.0mm	-

* Resealable type available.



SHRINK FIT HOLDER

CBT



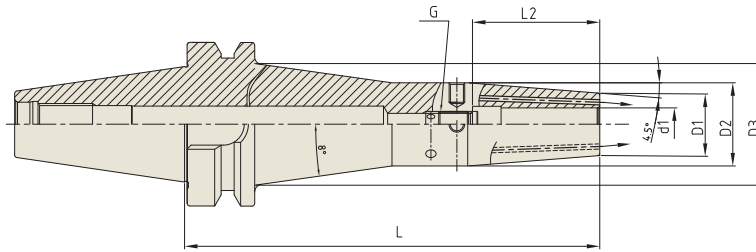
CBT40 - Coolant Channel Resealable (Metric)

Unit : mm

EDP No.	TAPER No.	MODEL No.	d1	D1	D2	L	L2	G	FIG.	WEIGHT (Kg)
P2862160C	40	CBT40 - SFH 3C - 90 * ¹	3	12	17	90	10	-	1	-
P2862161C		CBT40 - SFH 4C - 90 * ¹	4	12	17	90	12	-	1	-
P2862162C		CBT40 - SFH 5C - 90 * ¹	5	12	17	90	15	-	1	-
P2862184CR		CBT40 - SFH 6CR - 90	6	21	27	90	36	M5x0.8	2	1.10
P2862163CR		CBT40 - SFH 6CR - 130	6	21	27	130	36	M5x0.8	2	-
P2862185CR		CBT40 - SFH 6CR - 160	6	21	27	160	36	M5x0.8	2	1.15
P2862186CR		CBT40 - SFH 8CR - 90	8	21	27	90	36	M6x1.0	2	1.11
P2862164CR		CBT40 - SFH 8CR - 130	8	21	27	130	36	M6x1.0	2	-
P2862187CR		CBT40 - SFH 8CR - 160	8	21	27	160	36	M6x1.0	2	1.15
P2862188CR		CBT40 - SFH 10CR - 90	10	24	32	90	41	M8x1.0	2	1.10
P2862165CR		CBT40 - SFH 10CR - 130	10	24	32	130	41	M8x1.0	2	-
P2862189CR		CBT40 - SFH 10CR - 160	10	24	32	160	41	M8x1.0	2	1.15
P2862190CR		CBT40 - SFH 12CR - 90	12	24	32	90	47	M10x1.0	2	1.10
P2862166CR		CBT40 - SFH 12CR - 130	12	24	32	130	47	M10x1.0	2	-
P2862191CR		CBT40 - SFH 12CR - 160	12	24	32	160	47	M10x1.0	2	1.15
P2862192CR		CBT40 - SFH 14CR - 90	14	27	34	90	47	M10x1.0	2	1.20
P2862167CR		CBT40 - SFH 14CR - 130	14	27	34	130	47	M10x1.0	2	-
P2862193CR		CBT40 - SFH 14CR - 160	14	27	34	160	47	M10x1.0	2	1.50
P2862194CR		CBT40 - SFH 16CR - 90	16	27	34	90	50	M12x1.0	2	1.20
P2862168CR		CBT40 - SFH 16CR - 130	16	27	34	130	50	M12x1.0	2	-
P2862195CR	CBT40 - SFH 16CR - 160	16	27	34	160	50	M12x1.0	2	1.50	
P2862196CR	CBT40 - SFH 18CR - 90	18	33	42	90	50	M12x1.0	2	1.30	
P2862169CR	CBT40 - SFH 18CR - 130	18	33	42	130	50	M12x1.0	2	-	
P2862197CR	CBT40 - SFH 18CR - 160	18	33	42	160	50	M12x1.0	2	1.60	
P2862198CR	CBT40 - SFH 20CR - 90	20	33	42	90	52	M16x1.0	2	1.40	
P2862170CR	CBT40 - SFH 20CR - 130	20	33	42	130	52	M16x1.0	2	-	
P2862199CR	CBT40 - SFH 20CR - 160	20	33	42	160	52	M16x1.0	2	1.70	
P2862200CR	CBT40 - SFH 25CR - 100	25	44	53	100	58	M16x1.0	2	1.70	
P2862171CR	CBT40 - SFH 25CR - 130	25	44	53	130	58	M16x1.0	2	-	
P2862201CR	CBT40 - SFH 25CR - 160	25	44	53	160	58	M16x1.0	2	2.00	

* Resealable type (Thread for plugging screw & screws)

*¹ Resealable type is not available.



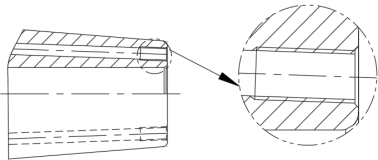
CBT40 - Coolant Channel & Thick Wall (Metric)



Unit : mm

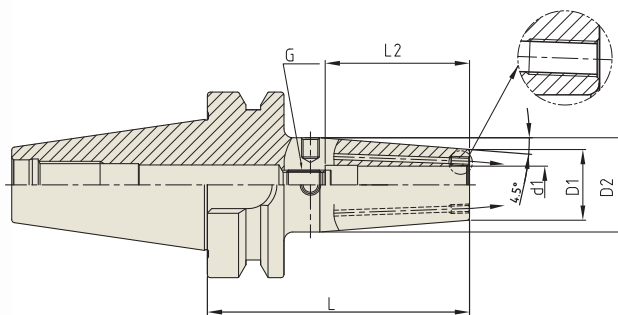
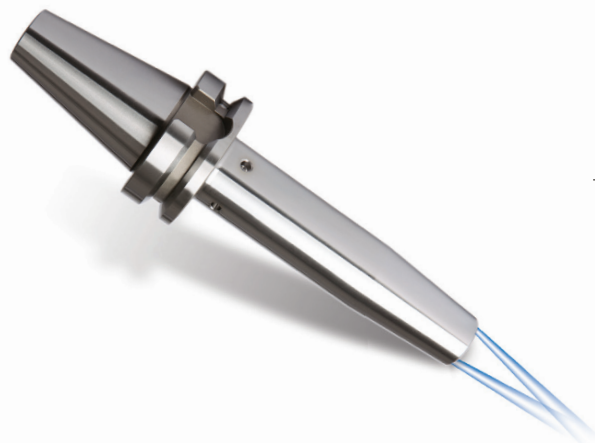
EDP No.	TAPER No.	MODEL No.	d1	D1	D2	D3	L	L2	G	WEIGHT (Kg)
P2863200TW	40	CBT40 - SFH 6C TW - 160	6	21	27	41.9	160	36	M5x0.8	1.64
P2863201TW		CBT40 - SFH 8C TW - 160	8	21	27	41.9	160	36	M6x1.0	1.63
P2863202TW		CBT40 - SFH 10C TW - 160	10	24	32	46.9	160	42	M8x1.0	1.84
P2863203TW		CBT40 - SFH 12C TW - 160	12	24	32	46.9	160	47	M10x1.0	1.83
P2863204TW		CBT40 - SFH 14C TW - 160	14	27	34	48.9	160	47	M10x1.0	1.80
P2863205TW		CBT40 - SFH 16C TW - 160	16	27	34	48.9	160	50	M12x1.0	1.92

* Resealable type available.



SHRINK FIT HOLDER

CBT

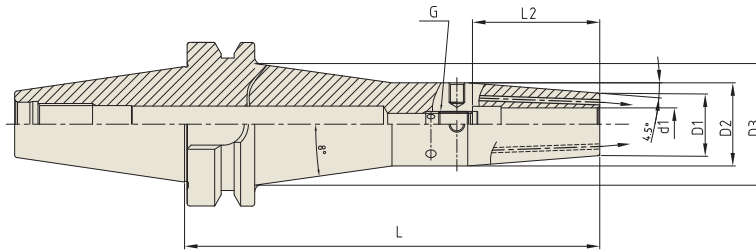


CBT50 - Coolant Channel Resealable (Inch)

Unit : inch

EDP No.	TAPER No.	MODEL No.	d1	D1	D2	L	L2	G	WEIGHT (Kg)
VF100JR	50	CBT50 - SFH 1/4CR - 5.12	0.250	0.827	1.063	5.120	1.417	M5x0.8mm	-
VF101JR		CBT50 - SFH 5/16CR - 5.12	0.313	0.827	1.063	5.120	1.417	M6x1.0mm	-
VF102JR		CBT50 - SFH 3/8CR - 5.12	0.375	0.945	1.260	5.120	1.713	M8x1.0mm	-
VF103JR		CBT50 - SFH 7/16CR - 5.12	0.438	0.945	1.260	5.120	1.929	M10x1.0mm	-
VF104JR		CBT50 - SFH 1/2CR - 5.12	0.500	0.945	1.260	5.120	1.929	M10x1.0mm	-
VF105JR		CBT50 - SFH 5/8CR - 5.12	0.625	1.063	1.339	5.120	2.047	M12x1.0mm	-
VF106JR		CBT50 - SFH 3/4CR - 5.12	0.750	1.299	1.654	5.120	2.126	M12x1.0mm	-
VF107JR		CBT50 - SFH 1.0CR - 5.12	1.000	1.732	2.087	5.120	2.362	M16x1.0mm	-

* Resealable type (Thread for plugging screw & screws)



CBT50 - Coolant Channel & Thick Wall (Inch)



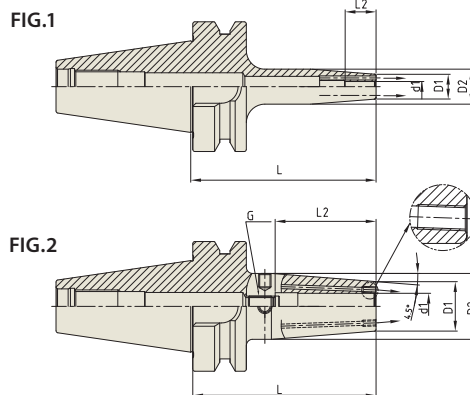
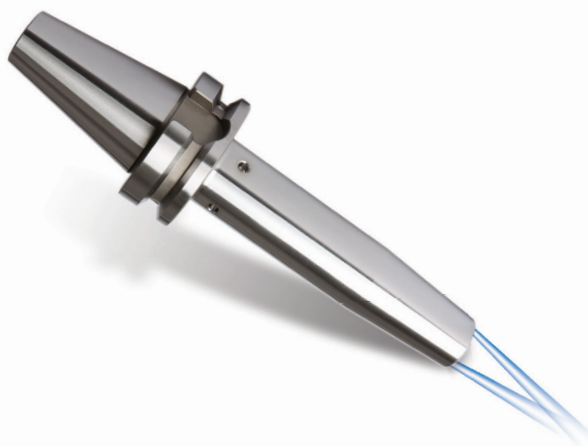
Unit : inch

EDP No.	TAPER No.	MODEL No.	d1	D1	D2	D3	L	L2	G	WEIGHT (Kg)
VF100JTW	50	CBT50 - SFH 1/4C TW - 6.30	0.250	0.827	1.063	1.531	6.300	1.417	M5x0.8mm	-
VF101JTW		CBT50 - SFH 5/16C TW - 6.30	0.313	0.827	1.063	1.531	6.300	1.417	M6x1.0mm	-
VF102JTW		CBT50 - SFH 3/8C TW - 6.30	0.375	0.945	1.260	1.728	6.300	1.713	M8x1.0mm	-
VF103JTW		CBT50 - SFH 7/16C TW - 6.30	0.438	0.945	1.260	1.728	6.300	1.929	M10x1.0mm	-
VF104JTW		CBT50 - SFH 1/2C TW - 6.30	0.500	0.945	1.260	1.728	6.300	1.929	M10x1.0mm	-
VF105JTW		CBT50 - SFH 5/8C TW - 6.30	0.625	1.063	1.339	1.807	6.300	2.047	M12x1.0mm	-
VF106JTW		CBT50 - SFH 3/4C TW - 6.30	0.750	1.299	1.654	2.122	6.300	2.126	M16x1.0mm	-
VF107JTW		CBT50 - SFH 1.0C TW - 6.30	1.000	1.732	2.087	2.557	6.300	2.126	M16x1.0mm	-
VF108JTW		CBT50 - SFH1 1/4C TW - 6.30	1.250	1.732	2.087	2.557	6.300	2.126	M16x1.0mm	-

* Resealable type available.

SHRINK FIT HOLDER

CBT



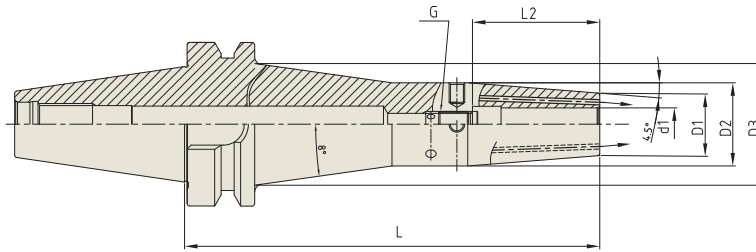
CBT50 - Coolant Channel Resealable (Metric)

Unit : mm

EDP No.	TAPER No.	MODEL No.	d1	D1	D2	L	L2	G	FIG.	WEIGHT (Kg)
P2862172C	50	CBT50 - SFH 3C - 100 *1	3	12	17	100	10	-	1	-
P2862173C		CBT50 - SFH 4C - 100 *1	4	12	17	100	12	-	1	-
P2862174C		CBT50 - SFH 5C - 100 *1	5	12	17	100	15	-	1	-
P2862202CR		CBT50 - SFH 6CR - 100	6	21	27	100	36	M5x0.8	2	1.50
P2862175CR		CBT50 - SFH 6CR - 130	6	21	27	130	36	M5x0.8	2	-
P2862203CR		CBT50 - SFH 6CR - 160	6	21	27	160	36	M5x0.8	2	2.00
P2862204CR		CBT50 - SFH 8CR - 100	8	21	27	100	36	M6x1.0	2	1.50
P2862176CR		CBT50 - SFH 8CR - 130	8	21	27	130	36	M6x1.0	2	-
P2862205CR		CBT50 - SFH 8CR - 160	8	21	27	160	36	M6x1.0	2	2.00
P2862206CR		CBT50 - SFH 10CR - 100	10	24	32	100	42	M8x1.0	2	1.10
P2862177CR		CBT50 - SFH 10CR - 130	10	24	32	130	42	M8x1.0	2	-
P2862207CR		CBT50 - SFH 10CR - 160	10	24	32	160	42	M8x1.0	2	1.15
P2862208CR		CBT50 - SFH 12CR - 100	12	24	32	100	47	M10x1.0	2	1.60
P2862178CR		CBT50 - SFH 12CR - 130	12	24	32	130	47	M10x1.0	2	-
P2862209CR		CBT50 - SFH 12CR - 160	12	24	32	160	47	M10x1.0	2	2.10
P2862210CR		CBT50 - SFH 14CR - 100	14	27	34	100	47	M10x1.0	2	1.60
P2862179CR		CBT50 - SFH 14CR - 130	14	27	34	130	47	M10x1.0	2	-
P2862211CR		CBT50 - SFH 14CR - 160	14	27	34	160	47	M10x1.0	2	2.10
P2862212CR		CBT50 - SFH 16CR - 100	16	27	34	100	50	M12x1.0	2	1.60
P2862180CR		CBT50 - SFH 16CR - 130	16	27	34	130	50	M12x1.0	2	-
P2862213CR	CBT50 - SFH 16CR - 160	16	27	34	160	50	M12x1.0	2	2.10	
P2862214CR	CBT50 - SFH 18CR - 100	18	33	42	100	50	M12x1.0	2	1.60	
P2862181CR	CBT50 - SFH 18CR - 130	18	33	42	130	50	M12x1.0	2	-	
P2862215CR	CBT50 - SFH 18CR - 160	18	33	42	160	50	M12x1.0	2	2.00	
P2862216CR	CBT50 - SFH 20CR - 100	20	33	42	100	52	M16x1.0	2	1.80	
P2862182CR	CBT50 - SFH 20CR - 130	20	33	42	130	52	M16x1.0	2	-	
P2862217CR	CBT50 - SFH 20CR - 160	20	33	42	160	52	M16x1.0	2	2.20	
P2862218CR	CBT50 - SFH 25CR - 100	25	44	53	100	58	M16x1.0	2	2.00	
P2862183CR	CBT50 - SFH 25CR - 130	25	44	53	130	58	M16x1.0	2	-	
P2862219CR	CBT50 - SFH 25CR - 160	25	44	53	160	58	M16x1.0	2	2.40	

* Resealable type (Thread for plugging screw & screws)

*1 Resealable type is not available.

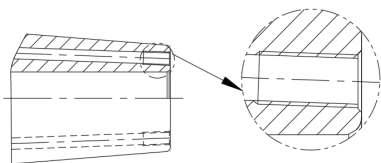


CBT50 - Coolant Channel & Thick Wall (Metric)



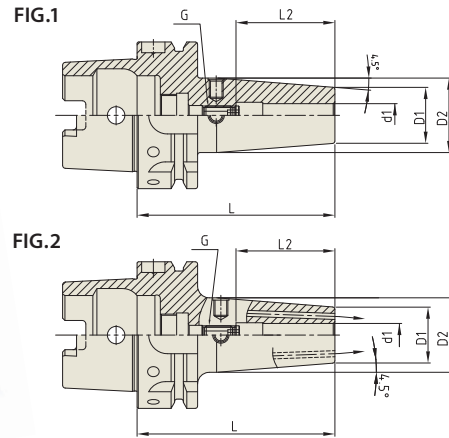
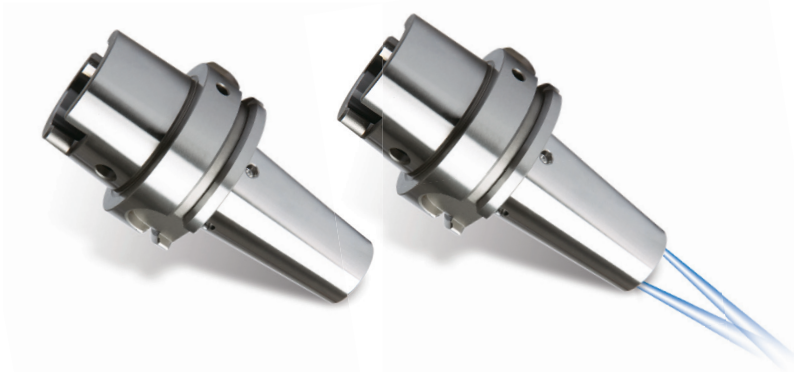
Unit : mm										
EDP No.	TAPER No.	MODEL No.	d1	D1	D2	D3	L	L2	G	WEIGHT (Kg)
P2863206TW	50	CBT50 - SFH 6C TW - 160	6	21	27	38.8	160	36	M5x0.8	4.12
P2863207TW		CBT50 - SFH 8C TW - 160	8	21	27	38.8	160	36	M6x1.0	4.57
P2863208TW		CBT50 - SFH 10C TW - 160	10	24	32	43.8	160	42	M8x1.0	4.76
P2863209TW		CBT50 - SFH 12C TW - 160	12	24	32	43.8	160	47	M10x1.0	4.74
P2863210TW		CBT50 - SFH 14C TW - 160	14	27	34	45.8	160	47	M10x1.0	4.70
P2863211TW		CBT50 - SFH 16C TW - 160	16	27	34	45.8	160	50	M12x1.0	4.69
P2863212TW		CBT50 - SFH 20C TW - 160	20	33	42	53.8	160	52	M16x1.0	5.17

* Resealable type available.



SHRINK FIT HOLDER

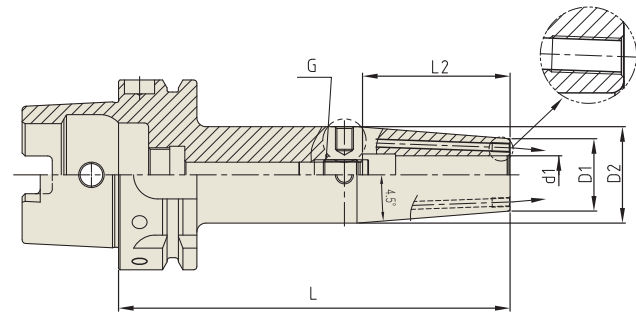
HSK



HSK63A - Coolant Channel (Inch)

Unit : inch

EDP No.	TAPER No.	MODEL No.	d1	D1	D2	L	L2	G	FIG.
VQ020	63A	HSK63A - SFH 1/8 - 3.15	0.125	0.394	0.728	3.150	0.354	-	1
VQ022		HSK63A - SFH 3/16 - 3.15	0.188	0.394	0.728	3.150	0.472	-	1
VQ024		HSK63A - SFH 1/4 - 3.15	0.250	0.827	1.063	3.150	1.417	M5x0.8mm	1
VQ026		HSK63A - SFH 1/4 - 6.30	0.250	0.827	1.063	6.300	1.417	M5x0.8mm	1
VQ028		HSK63A - SFH 3/8 - 3.35	0.375	0.945	1.260	3.346	1.713	M8x1.0mm	1
VQ030		HSK63A - SFH 3/8 - 6.30	0.375	0.945	1.260	6.300	1.713	M8x1.0mm	1
VQ032		HSK63A - SFH 1/2 - 3.54	0.500	0.945	1.260	3.543	1.929	M10x1.0mm	1
VQ034		HSK63A - SFH 1/2 - 6.30	0.500	0.945	1.260	6.300	1.929	M10x1.0mm	1
VQ036		HSK63A - SFH 5/8 - 3.74	0.625	1.063	1.339	3.740	2.047	M12x1.0mm	1
VQ038		HSK63A - SFH 5/8 - 6.30	0.625	1.063	1.339	6.300	2.047	M12x1.0mm	1
VQ040		HSK63A - SFH 3/4 - 3.94	0.750	1.299	1.654	3.937	2.126	M16x1.0mm	1
VQ042		HSK63A - SFH 3/4 - 6.30	0.750	1.299	1.654	6.300	2.126	M16x1.0mm	1
VQ046		HSK63A - SFH 1.0 - 4.53	1.000	1.732	2.087	4.528	2.362	M16x1.0mm	1
VQ048		HSK63A - SFH 1.0 - 6.30	1.000	1.732	2.087	6.300	2.362	M16x1.0mm	1
VQ020J		HSK63A - SFH 1/8C - 3.15	0.125	0.472	0.827	3.150	0.354	-	2
VQ022J		HSK63A - SFH 3/16C - 3.15	0.188	0.472	0.827	3.150	0.472	-	2
VQ024J		HSK63A - SFH 1/4C - 3.15	0.250	0.827	1.063	3.150	1.417	M5x0.8mm	2
VQ026J		HSK63A - SFH 1/4C - 6.30	0.250	0.827	1.063	6.300	1.417	M5x0.8mm	2
VQ028J		HSK63A - SFH 3/8C - 3.35	0.375	0.945	1.260	3.350	1.713	M8x1.0mm	2
VQ030J		HSK63A - SFH 3/8C - 6.30	0.375	0.945	1.260	6.300	1.713	M8x1.0mm	2
VQ032J		HSK63A - SFH 1/2C - 3.54	0.500	0.945	1.260	3.540	1.929	M10x1.0mm	2
VQ034J		HSK63A - SFH 1/2C - 6.30	0.500	0.945	1.260	6.300	1.929	M10x1.0mm	2
VQ036J		HSK63A - SFH 5/8C - 3.74	0.625	1.063	1.339	3.740	2.047	M12x1.0mm	2
VQ038J		HSK63A - SFH 5/8C - 6.30	0.625	1.063	1.339	6.300	2.047	M12x1.0mm	2
VQ040J		HSK63A - SFH 3/4C - 3.94	0.750	1.299	1.654	3.940	2.126	M16x1.0mm	2
VQ042J		HSK63A - SFH 3/4C - 6.30	0.750	1.299	1.654	6.300	2.126	M16x1.0mm	2
VQ046J		HSK63A - SFH 1.0C - 4.53	1.000	1.732	2.087	4.530	2.362	M16x1.0mm	2
VQ048J		HSK63A - SFH 1.0C - 6.30	1.000	1.732	2.087	6.300	2.362	M16x1.0mm	2



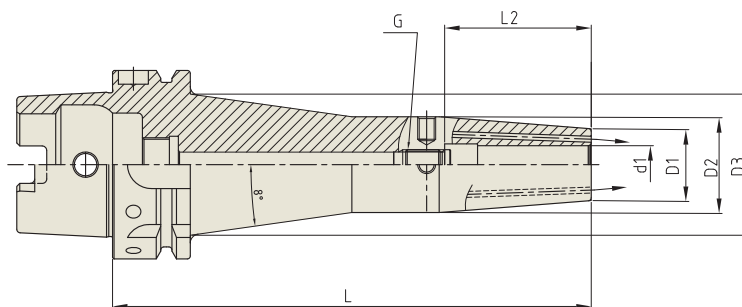
HSK63A - Coolant Channel Resealable (Inch)



Unit : inch

EDP No.	TAPER No.	MODEL No.	d1	D1	D2	L	L2	G
VQ301JR	63A	HSK63A - SFH 1/4CR - 5.12	0.250	0.827	1.063	5.120	1.417	M5x0.8mm
VQ302JR		HSK63A - SFH 5/16CR - 5.12	0.313	0.827	1.063	5.120	1.417	M6x1.0mm
VQ303JR		HSK63A - SFH 3/8CR - 5.12	0.375	0.945	1.260	5.120	1.713	M8x1.0mm
VQ304JR		HSK63A - SFH 7/16CR - 5.12	0.438	0.945	1.260	5.120	1.929	M10x1.0mm
VQ305JR		HSK63A - SFH 1/2CR - 5.12	0.500	0.945	1.260	5.120	1.929	M10x1.0mm
VQ306JR		HSK63A - SFH 5/8CR - 5.12	0.625	1.063	1.339	5.120	2.047	M12x1.0mm
VQ307JR		HSK63A - SFH 3/4CR - 5.12	0.750	1.299	1.654	5.120	2.126	M16x1.0mm
VQ308JR		HSK63A - SFH 1.0CR - 5.12	1.000	1.732	2.087	5.120	2.362	M16x1.0mm

* Resealable type (Thread for plugging screw & screws)

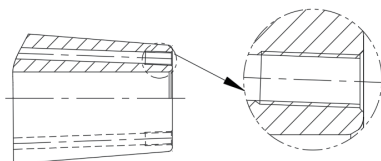


HSK63A - Coolant Channel & Thick Wall (Inch)

EDP No.	TAPER No.	MODEL No.	d1	D1	D2	D3	L	L2	G
VQ026JTW	63A	HSK63A - SFH 1/4C TW - 6.30	0.250	0.827	1.063	1.661	6.300	1.417	M5x0.8mm
VQ060JTW		HSK63A - SFH 5/16C TW - 6.30	0.313	0.827	1.063	1.661	6.300	1.417	M6x1.0mm
VQ030JTW		HSK63A - SFH 3/8C TW - 6.30	0.375	0.945	1.260	1.858	6.300	1.713	M8x1.0mm
VQ062JTW		HSK63A - SFH 7/16C TW - 6.30	0.438	0.945	1.260	1.858	6.300	1.929	M10x1.0mm
VQ034JTW		HSK63A - SFH 1/2C TW - 6.30	0.500	0.945	1.260	1.858	6.300	1.929	M10x1.0mm
VQ038JTW		HSK63A - SFH 5/8C TW - 6.30	0.625	1.063	1.339	1.937	6.300	2.047	M12x1.0mm

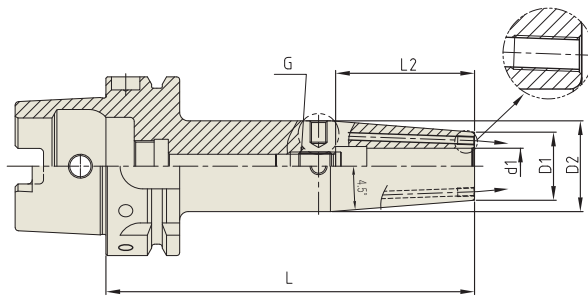
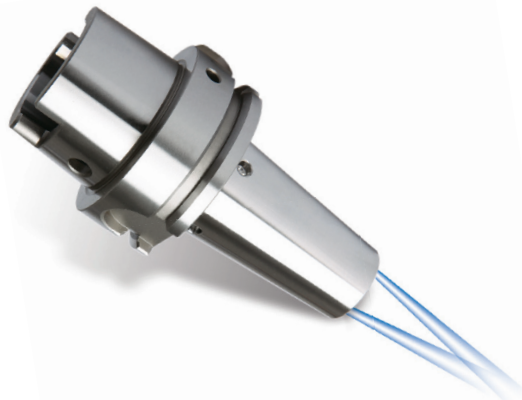
Unit : inch

* Resealable type available. (Thread for plugging screw & screws)



SHRINK FIT HOLDER

HSK



HSK63A - Coolant Channel Resealable (Metric)

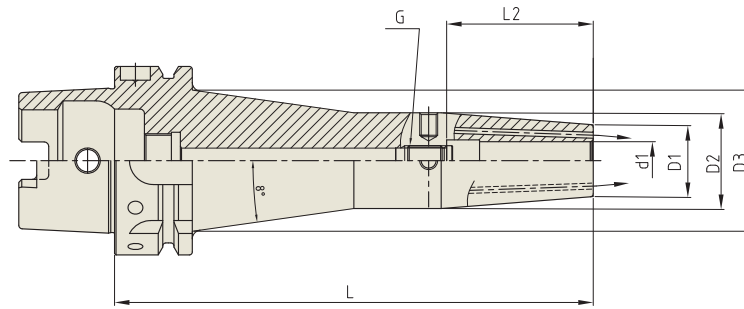


Unit : mm

EDP No.	TAPER No.	MODEL No.	d1	D1	D2	L	L2	G	WEIGHT (Kg)
VQ124	63A	HSK63A - SFH 3 - 130 * ¹	3	10	15	130	10	-	-
VQ125		HSK63A - SFH 4 - 130 * ¹	4	11	15	130	12	-	-
P2862131C		HSK63A - SFH 3C - 80 * ²	3	12	17	80	10	-	-
P2862132C		HSK63A - SFH 4C - 80 * ²	4	12	17	80	12	-	-
P2862133C		HSK63A - SFH 5C - 80 * ²	5	12	17	80	15	-	-
VQ110JR		HSK63A - SFH 6CR - 80	6	21	27	80	36	M5x0.8	0.83
VQ101JR		HSK63A - SFH 6CR - 130	6	21	27	130	36	M5x0.8	-
VQ111JR		HSK63A - SFH 6CR - 160	6	21	27	160	36	M5x0.8	1.00
VQ112JR		HSK63A - SFH 8CR - 80	8	21	27	80	36	M6x1.0	0.83
VQ102JR		HSK63A - SFH 8CR - 130	8	21	27	130	36	M6x1.0	-
VQ113JR		HSK63A - SFH 8CR - 160	8	21	27	160	36	M6x1.0	1.00
VQ114JR		HSK63A - SFH 10CR - 85	10	24	32	85	42	M8x1.0	0.83
VQ103JR		HSK63A - SFH 10CR - 130	10	24	32	130	42	M8x1.0	-
VQ115JR		HSK63A - SFH 10CR - 160	10	24	32	160	42	M8x1.0	1.00
VQ116JR		HSK63A - SFH 12CR - 90	12	24	32	90	47	M10x1.0	0.83
VQ104JR		HSK63A - SFH 12CR - 130	12	24	32	130	47	M10x1.0	-
VQ117JR		HSK63A - SFH 12CR - 160	12	24	32	160	47	M10x1.0	1.00
VQ118JR		HSK63A - SFH 14CR - 90	14	27	34	90	47	M10x1.0	0.91
VQ105JR		HSK63A - SFH 14CR - 130	14	27	34	130	47	M10x1.0	-
VQ119JR		HSK63A - SFH 14CR - 160	14	27	34	160	47	M10x1.0	1.30
VQ120JR		HSK63A - SFH 16CR - 95	16	27	34	95	50	M12x1.0	0.98
VQ106JR		HSK63A - SFH 16CR - 130	16	27	34	130	50	M12x1.0	-
VQ121JR		HSK63A - SFH 16CR - 160	16	27	34	160	50	M12x1.0	1.40
VQ122JR		HSK63A - SFH 18CR - 95	18	33	42	95	50	M12x1.0	0.98
VQ107JR		HSK63A - SFH 18CR - 130	18	33	42	130	50	M12x1.0	-
VQ123JR		HSK63A - SFH 18CR - 160	18	33	42	160	50	M12x1.0	1.40
VQ124JR		HSK63A - SFH 20CR - 100	20	33	42	100	52	M16x1.0	1.00
VQ108JR		HSK63A - SFH 20CR - 130	20	33	42	130	52	M16x1.0	-
VQ125JR		HSK63A - SFH 20CR - 160	20	33	42	160	52	M16x1.0	1.40
VQ126JR		HSK63A - SFH 25CR - 115	25	44	53	115	58	M16x1.0	1.40
VQ109JR		HSK63A - SFH 25CR - 130	25	44	53	130	58	M16x1.0	-
VQ127JR		HSK63A - SFH 25CR - 160	25	44	53	160	58	M16x1.0	1.80

* Resealable type (Thread for plugging screw & screws)
¹ Coolant Through type, without back-up screw & balancing tap
² Resealable type is not available, without back-up screw, balancing tap

Hydraulic Chuck
 Shrink Fit Holder
 End Mill Holder & Side Lock Arbor
 ER Collet Chuck
 SK Slim Chuck
 TG Collet Chuck
 Power Milling Chuck
 Morse Taper Adapter
 Tapping Chuck
 One Step Tapping Chuck
 Shell Mill Arbor
 NC Drill Chuck
 Jacobs Taper Arbor
 Stub Arbor
 Slitting Saw Arbor
 Pull Stud & Tool Clamp

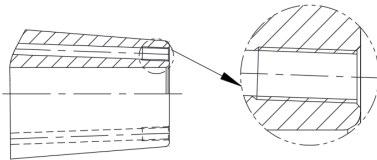


HSK63A - Coolant Channel & Thick Wall (Metric)

Unit : mm

EDP No.	TAPER No.	MODEL No.	d1	D1	D2	D3	L	L2	G	WEIGHT (Kg)
P2801501TW	63A	HSK63A - SFH 6C TW - 160	6	21	27	42.2	160	36	M5x0.8	1.36
P2801502TW		HSK63A - SFH 8C TW - 160	8	21	27	42.2	160	36	M6x1.0	1.35
P2801503TW		HSK63A - SFH 10C TW - 160	10	24	32	47.2	160	42	M8x1.0	1.56
P2801504TW		HSK63A - SFH 12C TW - 160	12	24	32	47.2	160	47	M10x1.0	1.55
P2801505TW		HSK63A - SFH 14C TW - 160	14	27	34	49.2	160	47	M10x1.0	1.52
P2801506TW		HSK63A - SFH 16C TW - 160	16	27	34	49.2	160	50	M12x1.0	1.64

* Resealable type available.



SHRINK FIT HOLDER

HSK



FIG.1

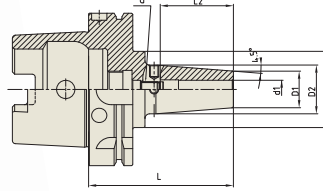
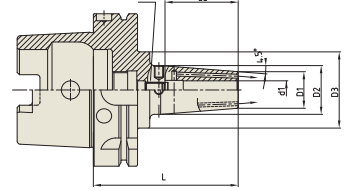


FIG.2



HSK100A - Coolant Channel Resealable (Inch)



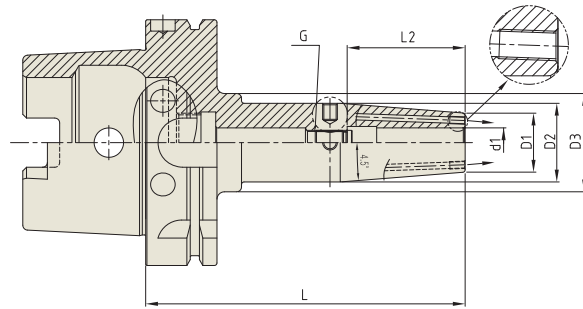
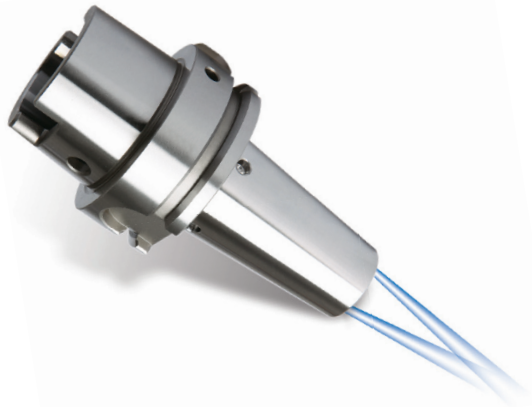
Unit : inch

EDP No.	TAPER No.	MODEL No.	d1	D1	D2	D3	L	L2	G	FIG.
VR020	100A	HSK100A - SFH 1/8 - 3.15	0.125	0.394	0.648	1.575	3.150	0.354	-	1
VR310		HSK100A - SFH 1/8 - 5.12	0.125	0.394	0.748	1.575	3.150	0.354	-	1
VR022		HSK100A - SFH 3/16 - 3.15	0.188	0.394	0.648	1.575	3.150	0.472	-	1
VR311		HSK100A - SFH 3/16 - 5.12	0.188	0.394	0.748	1.575	3.150	0.472	-	1
VR023		HSK100A - SFH 1/4 - 3.54	0.250	0.827	1.063	1.575	3.543	1.417	M5x0.8mm	1
VR024		HSK100A - SFH 3/8 - 3.54	0.375	0.945	1.260	1.575	3.543	1.713	M8x1.0mm	1
VR026		HSK100A - SFH 3/8 - 6.30	0.375	0.945	1.260	1.575	6.300	1.713	M8x1.0mm	1
VR028		HSK100A - SFH 1/2 - 3.74	0.500	0.945	1.260	1.575	3.740	1.929	M10x1.0mm	1
VR030		HSK100A - SFH 1/2 - 6.30	0.500	0.945	1.260	1.575	6.300	1.929	M10x1.0mm	1
VR032		HSK100A - SFH 5/8 - 3.94	0.625	1.063	1.339	1.575	3.937	2.047	M12x1.0mm	1
VR034		HSK100A - SFH 5/8 - 6.30	0.625	1.063	1.339	1.575	6.300	2.047	M12x1.0mm	1
VR036		HSK100A - SFH 3/4 - 4.13	0.750	1.299	1.654	-	4.134	2.126	M16x1.0mm	1
VR038		HSK100A - SFH 3/4 - 6.30	0.750	1.299	1.654	-	6.300	2.126	M16x1.0mm	1
VR040		HSK100A - SFH 1.0 - 4.53	1.000	1.732	2.087	-	4.528	2.362	M16x1.0mm	1
VR042		HSK100A - SFH 1.0 - 6.30	1.000	1.732	2.087	-	6.300	2.362	M16x1.0mm	1
VR044		HSK100A - SFH 1 1/4 - 4.72	1.250	1.732	2.087	-	4.724	2.362	M16x1.0mm	1
VR046		HSK100A - SFH 1 1/4 - 6.30	1.250	1.732	2.087	-	6.300	2.362	M16x1.0mm	1
VR023J		HSK100A - SFH 1/4C - 3.54	0.250	0.827	1.063	1.575	3.540	1.417	M5x0.8mm	2
VR024J		HSK100A - SFH 3/8C - 3.54	0.375	0.945	1.260	1.575	3.540	1.713	M8x1.0mm	2
VR026J		HSK100A - SFH 3/8C - 6.30	0.375	0.945	1.260	1.575	6.300	1.713	M8x1.0mm	2
VR028J		HSK100A - SFH 1/2C - 3.74	0.500	0.945	1.260	1.575	3.740	1.929	M10x1.0mm	2
VR030J		HSK100A - SFH 1/2C - 6.30	0.500	0.945	1.260	1.575	6.300	1.929	M10x1.0mm	2
VR032J		HSK100A - SFH 5/8C - 3.94	0.625	1.063	1.339	1.575	3.940	2.047	M12x1.0mm	2
VR034J		HSK100A - SFH 5/8C - 6.30	0.625	1.063	1.339	1.575	6.300	2.047	M12x1.0mm	2
VR036J		HSK100A - SFH 3/4C - 4.13	0.750	1.299	1.654	-	4.130	2.126	M16x1.0mm	2
VR038J		HSK100A - SFH 3/4C - 6.30	0.750	1.299	1.654	-	6.300	2.126	M16x1.0mm	2
VR040J		HSK100A - SFH 1.0C - 4.53	1.000	1.732	2.087	-	4.530	2.362	M16x1.0mm	2
VR042J		HSK100A - SFH 1.0C - 6.30	1.000	1.732	2.087	-	6.300	2.362	M16x1.0mm	2
VR044J		HSK100A - SFH 1 1/4C - 4.72	1.250	1.732	2.087	-	4.720	2.362	M16x1.0mm	2
VR046J		HSK100A - SFH 1 1/4C - 6.30	1.250	1.732	2.087	-	6.300	2.362	M16x1.0mm	2

Hydraulic Chuck
Shrink Fit Holder
End Mill Holder & Side Lock Arbor
ER Collet Chuck
SK Slim Chuck
TG Collet Chuck
Power Milling Chuck
 Morse Taper Adapter
Tapping Chuck
One Step Tapping Chuck
Shell Mill Arbor
NC Drill Chuck
Jacobs Taper Arbor
Stub Arbor
Sitting Saw Arbor
Pull Stud & Tool Clamp

SHRINK FIT HOLDER

HSK

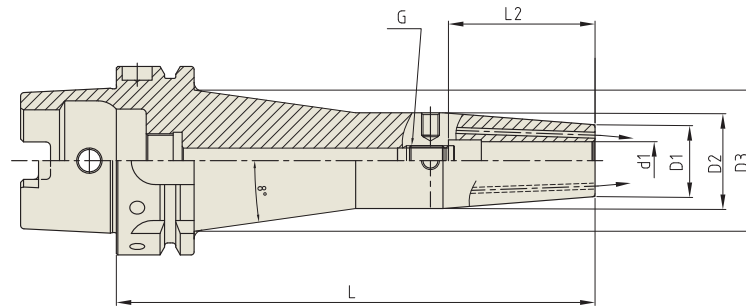


HSK100A - Coolant Channel Resealable (Inch)

Unit : inch

EDP No.	TAPER No.	MODEL No.	d1	D1	D2	D3	L	L2	G
VR301JR	100A	HSK100A - SFH 1/4CR - 5.12	0.250	0.827	1.063	1.575	5.120	1.417	M5x0.8mm
VR302JR		HSK100A - SFH 5/16CR - 5.12	0.313	0.827	1.063	1.575	5.120	1.417	M6x1.0mm
VR303JR		HSK100A - SFH 3/8CR - 5.12	0.375	0.945	1.260	1.575	5.120	1.713	M8x1.0mm
VR304JR		HSK100A - SFH 7/16CR - 5.12	0.438	0.945	1.260	1.575	5.120	1.929	M10x1.0mm
VR305JR		HSK100A - SFH 1/2CR - 5.12	0.500	0.945	1.260	1.575	5.120	1.929	M10x1.0mm
VR306JR		HSK100A - SFH 5/8CR - 5.12	0.625	1.063	1.339	1.575	5.120	2.047	M12x1.0mm
VR307JR		HSK100A - SFH 3/4CR - 5.12	0.750	1.299	1.654	-	5.120	2.126	M16x1.0mm
VR308JR		HSK100A - SFH 1.0CR - 5.12	1.000	1.732	2.087	-	5.120	2.362	M16x1.0mm
VR309JR		HSK100A - SFH 1 1/4CR - 5.12	1.250	1.732	2.087	-	5.120	2.362	M16x1.0mm

* Resealable type (Thread for plugging screw & screws)



HSK100A - Coolant Channel & Thick Wall (Inch)

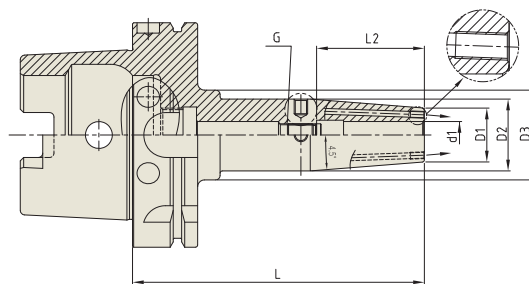
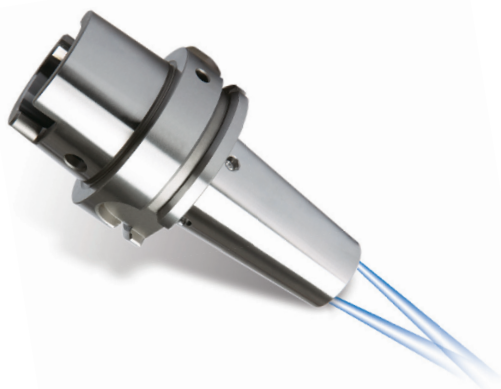


EDP No.	TAPER No.	MODEL No.	d1	D1	D2	D3	L	L2	G
VR060JTW	100A	HSK100A - SFH 1/4C TW - 6.30	0.250	0.827	1.063	1.626	6.300	1.417	M5x0.8mm
VR062JTW		HSK100A - SFH 5/16C TW - 6.30	0.313	0.827	1.063	1.626	6.300	1.417	M6x1.0mm
VR026JTW		HSK100A - SFH 3/8C TW - 6.30	0.375	0.945	1.260	1.823	6.300	1.713	M8x1.0mm
VR064JTW		HSK100A - SFH 7/16C TW - 6.30	0.438	0.945	1.260	1.823	6.300	1.929	M10x1.0mm
VR030JTW		HSK100A - SFH 1/2C TW - 6.30	0.500	0.945	1.260	1.823	6.300	1.929	M10x1.0mm
VR034JTW		HSK100A - SFH 5/8C TW - 6.30	0.625	1.063	1.339	1.902	6.300	2.047	M12x1.0mm
VR038JTW		HSK100A - SFH 3/4C TW - 6.30	0.750	1.299	1.654	2.217	6.300	2.126	M16x1.0mm
VR042JTW		HSK100A - SFH 1.0C TW - 6.30	1.000	1.732	2.087	2.638	6.300	2.362	M16x1.0mm
VR046JTW		HSK100A - SFH 1 1/4C TW - 6.30	1.250	1.732	2.087	2.638	6.300	2.362	M16x1.0mm

* Resealable type available.

SHRINK FIT HOLDER

HSK



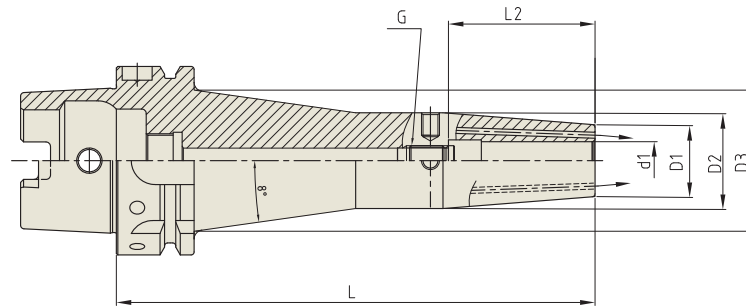
HSK100A - Coolant Channel Resealable (Metric)



Unit : mm

EDP No.	TAPER No.	MODEL No.	d1	D1	D2	D3	L	L2	G	WEIGHT (Kg)
VR107	100A	HSK100A - SFH 3 - 130 * ¹	3	10	15	40	130	10	-	-
VR108		HSK100A - SFH 4 - 130 * ¹	4	11	15	40	130	12	-	-
P2862143C		HSK100A - SFH 3C - 85 * ²	3	12	17	40	85	10	-	-
P2862144C		HSK100A - SFH 4C - 85 * ²	4	12	17	40	85	12	-	-
P2862145C		HSK100A - SFH 5C - 85 * ²	5	12	17	40	85	15	-	-
VR111JR		HSK100A - SFH 6CR - 85	6	21	27	40	85	36	M5x0.8	1.30
VR101JR		HSK100A - SFH 6CR - 130	6	21	27	40	130	36	M5x0.8	-
VR112JR		HSK100A - SFH 6CR - 160	6	21	27	40	160	36	M5x0.8	1.80
VR113JR		HSK100A - SFH 8CR - 85	8	21	27	40	85	36	M6x1.0	1.30
VR102JR		HSK100A - SFH 8CR - 130	8	21	27	40	130	36	M6x1.0	-
VR114JR		HSK100A - SFH 8CR - 160	8	21	27	40	160	36	M6x1.0	1.80
VR115JR		HSK100A - SFH 10CR - 90	10	24	32	40	90	42	M8x1.0	1.30
VR103JR		HSK100A - SFH 10CR - 130	10	24	32	40	130	42	M8x1.0	-
VR116JR		HSK100A - SFH 10CR - 160	10	24	32	40	160	42	M8x1.0	1.80
VR117JR		HSK100A - SFH 12CR - 95	12	24	32	40	95	47	M10x1.0	1.30
VR104JR		HSK100A - SFH 12CR - 130	12	24	32	40	130	47	M10x1.0	-
VR118JR		HSK100A - SFH 12CR - 160	12	24	32	40	160	47	M10x1.0	1.80
VR119JR		HSK100A - SFH 14CR - 95	14	27	34	40	95	47	M10x1.0	1.40
VR105JR		HSK100A - SFH 14CR - 130	14	27	34	40	130	47	M10x1.0	-
VR120JR		HSK100A - SFH 14CR - 160	14	27	34	40	160	47	M10x1.0	1.90
VR121JR		HSK100A - SFH 16CR - 100	16	27	34	40	100	50	M12x1.0	1.40
VR106JR		HSK100A - SFH 16CR - 130	16	27	34	40	130	50	M12x1.0	-
VR122JR		HSK100A - SFH 16CR - 160	16	27	34	40	160	50	M12x1.0	1.90
VR123JR		HSK100A - SFH 18CR - 100	18	33	42	-	100	50	M12x1.0	1.50
VR107JR		HSK100A - SFH 18CR - 130	18	33	42	-	130	50	M12x1.0	-
VR124JR		HSK100A - SFH 18CR - 160	18	33	42	-	160	50	M12x1.0	2.00
VR125JR		HSK100A - SFH 20CR - 100	20	33	42	-	100	52	M16x1.0	1.50
VR108JR		HSK100A - SFH 20CR - 130	20	33	42	-	130	52	M16x1.0	-
VR126JR	HSK100A - SFH 20CR - 160	20	33	42	-	160	52	M16x1.0	2.00	
VR127JR	HSK100A - SFH 25CR - 115	25	44	53	-	115	58	M16x1.0	1.80	
VR109JR	HSK100A - SFH 25CR - 130	25	44	53	-	130	58	M16x1.0	-	
VR128JR	HSK100A - SFH 25CR - 160	25	44	53	-	160	58	M16x1.0	2.30	

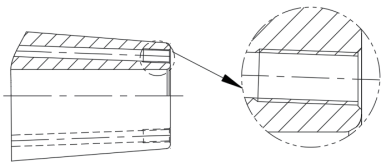
* Resealable type (Thread for plugging screw & screws)
^{*1} Coolant Through type, without back-up screw & balancing tap
^{*2} Resealable type is not available, without back-up screw, balancing tap



HSK100A - Coolant Channel & Thick Wall (Metric)

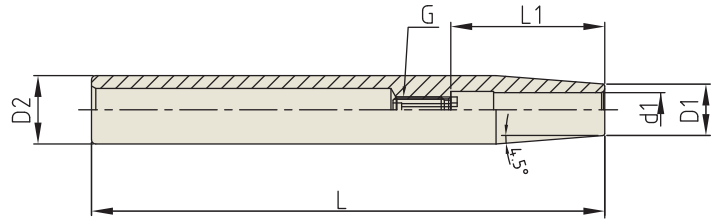
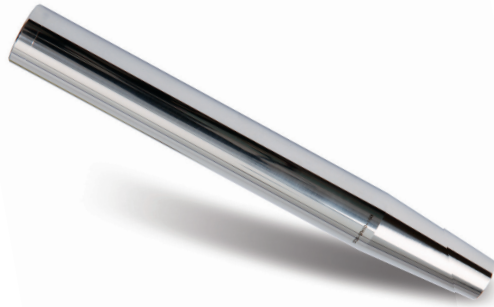
										Unit : mm
EDP No.	TAPER No.	MODEL No.	d1	D1	D2	D3	L	L2	G	WEIGHT (Kg)
P2801507TW	100A	HSK100A - SFH 6C TW - 160	6	21	27	41.3	160	36	M5x0.8	2.73
P2801508TW		HSK100A - SFH 8C TW - 160	8	21	27	41.3	160	36	M6x1.0	2.72
P2801509TW		HSK100A - SFH 10C TW - 160	10	24	32	46.3	160	42	M8x1.0	2.92
P2801510TW		HSK100A - SFH 12C TW - 160	12	24	32	46.3	160	47	M10x1.0	2.9
P2801511TW		HSK100A - SFH 14C TW - 160	14	27	34	48.3	160	47	M10x1.0	3.05
P2801512TW		HSK100A - SFH 16C TW - 160	16	27	34	48.3	160	50	M12x1.0	3.03
P2801513TW		HSK100A - SFH 18C TW - 160	18	33	42	56.3	160	50	M12x1.0	3.39
P2801514TW		HSK100A - SFH 20C TW - 160	20	33	42	56.3	160	52	M16x1.0	3.36

* Resealable type available.



SHRINK FIT EXTENSION

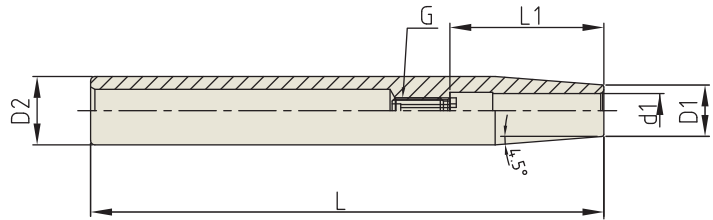
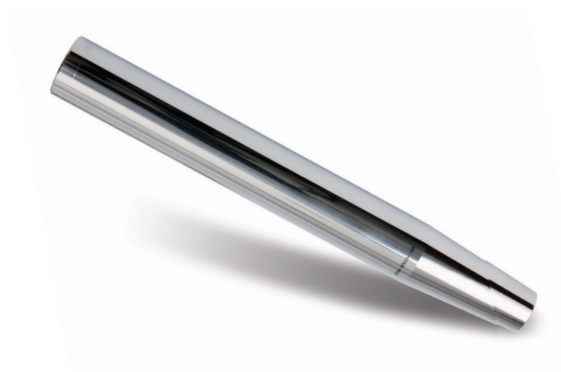
ST



STRAIGHT (Inch)

Unit : inch

EDP No.	TAPER No.	MODEL No.	d1	D1	D2	L	L1	G
VS010	ST1/2	ST1/2 - SFH 1/8 - 6.30	0.125	0.394	0.500	6.300	0.354	-
VS011		ST1/2 - SFH 3/16 - 6.30	0.188	0.394	0.500	6.300	0.472	-
VS012		ST1/2 - SFH 1/4 - 6.30	0.250	0.394	0.500	6.300	1.417	M5x0.8mm
VS020	ST5/8	ST5/8 - SFH 1/8 - 6.30	0.125	0.394	0.625	6.300	0.354	-
VS021		ST5/8 - SFH 3/16 - 6.30	0.188	0.394	0.625	6.300	0.472	-
VS022		ST5/8 - SFH 1/4 - 6.30	0.250	0.394	0.625	6.300	1.417	M5x0.8mm
VS023		ST5/8 - SFH 3/16 - 6.30	0.313	0.472	0.625	6.300	1.417	M6x1.0mm
VS030	ST3/4	ST3/4 - SFH 1/8 - 6.30	0.125	0.394	0.750	6.300	0.354	-
VS031		ST3/4 - SFH 3/16 - 6.30	0.188	0.394	0.750	6.300	0.472	-
VS032		ST1/4 - SFH 1/4 - 6.30	0.250	0.551	0.750	6.300	1.417	M5x0.8mm
VS033		ST3/4 - SFH 5/16 - 6.30	0.313	0.551	0.750	6.300	1.417	M6x1.0mm
VS034		ST3/4 - SFH 3/8 - 6.30	0.375	0.551	0.750	6.300	1.713	M8x1.0mm
VS035		ST3/4 - SFH 1/2 - 6.30	0.500	0.630	0.750	6.300	1.929	M10x1.0mm
VS040	ST1	ST1 - SFH 1/8 - 6.30	0.125	0.394	1.000	6.300	0.354	-
VS041		ST1 - SFH 3/16 - 6.30	0.188	0.394	1.000	6.300	0.472	-
VS042		ST1 - SFH 1/4 - 6.30	0.250	0.551	1.000	6.300	1.417	M5x0.8mm
VS043		ST1 - SFH 5/16 - 6.30	0.313	0.551	1.000	6.300	1.417	M6x1.0mm
VS044		ST1 - SFH 3/8 - 6.30	0.375	0.787	1.000	6.300	1.713	M8x1.0mm
VS045		ST1 - SFH 1/2 - 6.30	0.500	0.787	1.000	6.300	1.929	M10x1.0mm
VS046		ST1 - SFH 5/8 - 6.30	0.625	0.866	1.000	6.300	2.008	M12x1.0mm
VS050	ST1 1/4	ST1 1/4 - SFH 1/8 - 6.30	0.125	0.394	1.250	6.300	0.354	-
VS051		ST1 1/4 - SFH 3/16 - 6.30	0.188	0.394	1.250	6.300	0.472	-
VS052		ST1 1/4 - SFH 1/4 - 6.30	0.250	0.551	1.250	6.300	1.417	M5x0.8mm
VS053		ST1 1/4 - SFH 5/16 - 6.30	0.313	0.551	1.250	6.300	1.417	M6x1.0mm
VS054		ST1 1/4 - SFH 3/8 - 6.30	0.375	0.945	1.250	6.300	1.713	M8x1.0mm
VS055		ST1 1/4 - SFH 1/2 - 6.30	0.500	0.945	1.250	6.300	1.929	M10x1.0mm
VS056		ST1 1/4 - SFH 5/8 - 6.30	0.625	1.063	1.250	6.300	2.008	M12x1.0mm
VS057	ST1 1/4 - SFH 3/4 - 6.30	0.750	1.063	1.250	6.300	2.087	M16x1.0mm	



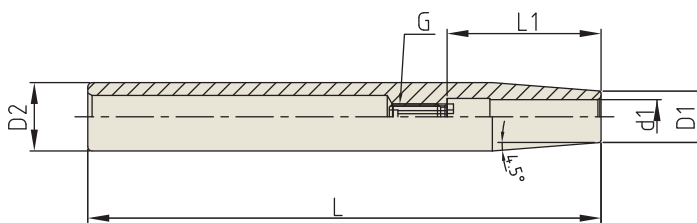
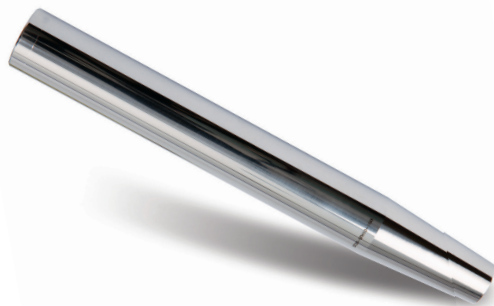
STRAIGHT (Metric Standard)

Unit : mm

EDP No.	TAPER No.	MODEL No.	d1	D1	D2	L	L1	G
VS010M	12	ST12 - SFH 3 - 120	3	8	12	120	10	-
VS011M		ST12 - SFH 4 - 120	4	8	12	120	12	-
VS012M		ST12 - SFH 5 - 120	5	10	12	120	15	-
VS013M		ST12 - SFH 6 - 120	6	10	12	120	36	M5×0.8
VS020M	16	ST16 - SFH 3 - 120	3	10	16	120	10	-
VS021M		ST16 - SFH 4 - 120	4	10	16	120	12	-
VS022M		ST16 - SFH 5 - 120	5	10	16	120	15	-
VS023M		ST16 - SFH 6 - 120	6	10	16	120	36	M5×0.8
VS024M		ST16 - SFH 8 - 120	8	12	16	120	36	M6×1.0
VS030M	20	ST20 - SFH 3 - 120	3	10	20	120	10	-
VS031M		ST20 - SFH 4 - 120	4	10	20	120	12	-
VS032M		ST20 - SFH 5 - 120	5	10	20	120	15	-
VS033M		ST20 - SFH 6 - 120	6	10	20	120	36	M5×0.8
VS034M		ST20 - SFH 8 - 120	8	12	20	120	36	M6×1.0
VS035M		ST20 - SFH 10 - 120	10	14	20	120	43	M8×1.0
VS036M		ST20 - SFH 12 - 120	12	16	20	120	48	M10×1.0

SHRINK FIT EXTENSION

ST



STRAIGHT (Metric Extended)

Unit : mm

EDP No.	TAPER No.	MODEL No.	d1	D1	D2	L	L1	G
VS110M	12	ST12 - SFH 3 - 160	3	8	12	160	10	-
VS111M		ST12 - SFH 4 - 160	4	8	12	160	12	-
VS112M		ST12 - SFH 5 - 160	5	10	12	160	15	-
VS113M		ST12 - SFH 6 - 160	6	10	12	160	36	M5×0.8
VS210M	16	ST16 - SFH 3 - 160	3	10	16	160	10	-
VS211M		ST16 - SFH 4 - 160	4	10	16	160	12	-
VS212M		ST16 - SFH 5 - 160	5	10	16	160	15	-
VS213M		ST16 - SFH 6 - 160	6	10	16	160	36	M5×0.8
VS214M		ST16 - SFH 8 - 160	8	12	16	160	36	M6×1.0
VS310M	20	ST20 - SFH 3 - 160	3	10	20	160	10	-
VS311A		ST20 - SFH 4 - 160	4	10	20	160	12	-
VS312M		ST20 - SFH 5 - 160	5	10	20	160	15	-
VS313M		ST20 - SFH 6 - 160	6	10	20	160	36	M5×0.8
VS314M		ST20 - SFH 8 - 160	8	12	20	160	36	M6×1.0
VS315M		ST20 - SFH 10 - 160	10	14	20	160	43	M8×1.0
VS316M	ST20 - SFH 12 - 160	12	16	20	160	48	M10×1.0	
VS410M	25	ST25 - SFH 3 - 160	3	10	25	160	10	-
VS411M		ST25 - SFH 4 - 160	4	10	25	160	12	-
VS412M		ST25 - SFH 5 - 160	5	15	25	160	15	-
VS413M		ST25 - SFH 6 - 160	6	20	25	160	36	M5×0.8
VS414M		ST25 - SFH 8 - 160	8	20	25	160	36	M6×1.0
VS415M		ST25 - SFH 10 - 160	10	20	25	160	43	M8×1.0
VS416M		ST25 - SFH 12 - 160	12	20	25	160	48	M10×1.0
VS417M		ST25 - SFH 14 - 160	14	20	25	160	48	M10×1.0
VS418M	ST25 - SFH 16 - 160	16	22	25	160	51	M12×1.0	
VS510M	32	ST32 - SFH 6 - 160	6	20	32	160	36	M5×0.8
VS511M		ST32 - SFH 8 - 160	8	20	32	160	36	M6×1.0
VS512M		ST32 - SFH 10 - 160	10	24	32	160	43	M8×1.0
VS513M		ST32 - SFH 12 - 160	12	24	32	160	48	M10×1.0
VS514M		ST32 - SFH 14 - 160	14	27	32	160	48	M10×1.0
VS515M		ST32 - SFH 16 - 160	16	27	32	160	51	M12×1.0
VS516M		ST32 - SFH 18 - 160	18	27	32	160	51	M12×1.0
VS517M	ST32 - SFH 20 - 160	20	27	32	160	53	M16×1.0	



ROTARY TOOLING

END MILL HOLDER & SIDE LOCK ARBOR



STUB, STANDARD, EXTENDED, COOLANT CHANNEL
SIDE LOCK ARBOR

CAT : ASME B5.50-2009

CCT : CAT DUAL CONTACT

BT : JIS B6339/MAS 403-BT/ISO7388-2

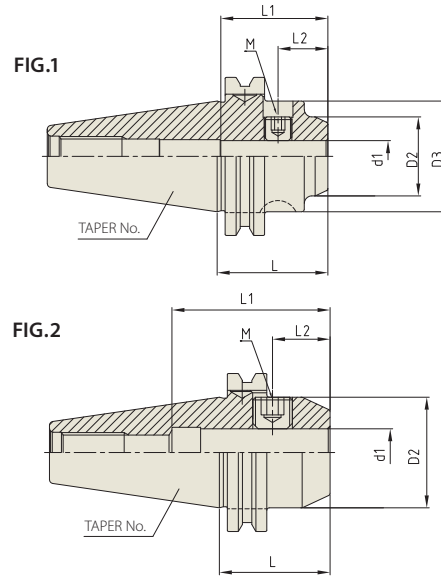
CBT : BT DUAL CONTACT

HSK : DIN69893/ISO12164-1

SIDE LOCK BOLT

END MILL HOLDER

CAT



ASME B5.50-2009-CAT

Set screws
Refer to page 124

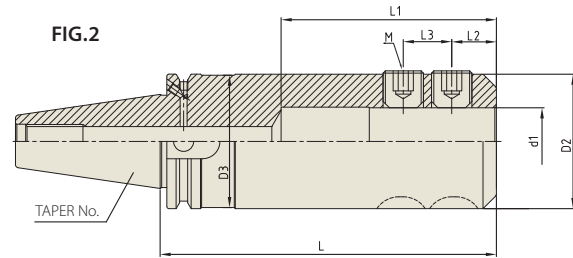
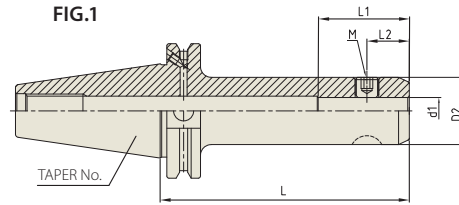


• STUB

Unit : inch

EDP No.	TAPER No.	MODEL No.	d1	D2	D3	L	L1	L2	M	FIG.
AK206	40	CAT40 - EMH 1/2 - 1.75	0.500	1.250	1.750	1.750	1.690	0.790	UNF7/16-20 3/8L	1
AK208		CAT40 - EMH 5/8 - 1.75	0.630	1.500	1.750	1.750	1.930	0.880	UNF1/2-20 1/2L	1
AK210		CAT40 - EMH 3/4 - 1.75	0.750	1.750	-	1.750	2.050	0.910	UNF5/8-18 1/2L	2
AK214		CAT40 - EMH 1.0 - 1.75	1.000	1.750	-	1.750	2.170	0.830	UNF3/4-16 3/8L	2
AK217		CAT40 - EMH 1 1/4 - 2.00	1.250	2.250	-	2.000	2.220	0.830	UNF3/4-16 1/2L	2

* High balanced End Mill Holders on page 106~108.



ASME B5.50-2009-CAT

Set screws
Refer to page 124



• STANDARD

Unit : inch

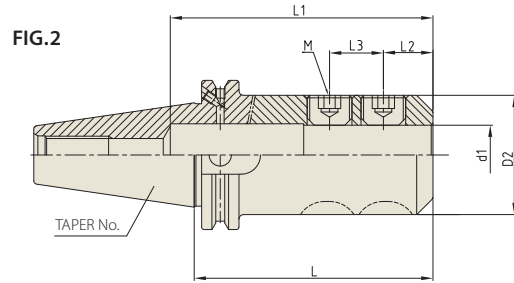
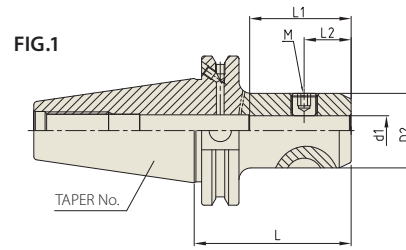
EDP No.	TAPER No.	MODEL No.	d1	D2	D3	L	L1	L2	L3	M	FIG.
AK000B	40	CAT40 AD/B - EMH 1/8 - 2.50	0.130	0.690	-	2.500	0.591	0.295	-	UNC#8-32 1/4L	1
AK001B		CAT40 AD/B - EMH 3/16 - 2.50	0.190	0.690	-	2.500	0.787	0.441	-	UNC#10-32 1/4L	1
AK002B		CAT40 AD/B - EMH 1/4 - 2.50	0.250	0.780	-	2.500	1.299	0.598	-	UNF1/4-28 1/4L	1
AK003B		CAT40 AD/B - EMH 5/16 - 2.50	0.310	0.880	-	2.500	1.358	0.630	-	UNF5/16-24 1/4L	1
AK004B		CAT40 AD/B - EMH 3/8 - 2.50	0.380	1.000	-	2.500	1.417	0.630	-	UNF3/8-24 5/16L	1
AK005B		CAT40 AD/B - EMH 7/16 - 2.50	0.440	1.130	-	2.500	1.417	0.630	-	UNF3/8-24 25/64L	1
AK006B		CAT40 AD/B - EMH 1/2 - 2.63	0.500	1.250	-	2.500	1.693	0.787	-	UNF7/16-20 3/8L	1
AK008B		CAT40 AD/B - EMH 5/8 - 3.75	0.630	1.500	-	2.500	3.600	0.881	-	UNF1/2-20 1/2L	1
AK010B		CAT40 AD/B - EMH 3/4 - 3.75	0.750	1.750	-	2.500	3.900	0.909	-	UNF5/8-18 1/2L	1
AK012B		CAT40 AD/B - EMH 7/8 - 4.00	0.880	1.880	-	3.500	4.200	0.650	0.811	UNF5/8-18 1/2L	2
AK014B		CAT40 AD/B - EMH 1.0 - 4.00	1.000	2.000	-	3.750	4.400	0.831	0.902	UNF3/4-16 1/2L	2
AK017B		CAT40 AD/B - EMH 1 1/4 - 4.25	1.250	2.500	2.461	3.750	4.000	0.831	0.902	UNF3/4-16 11/16L	2
AK021B		CAT40 AD/B - EMH 1 1/2 - 4.63	1.500	2.500	2.461	4.250	3.978	0.881	1.063	UNF3/4-16 1/2L	2
AL002B		50	CAT50 AD/B - EMH 1/4 - 2.50	0.250	0.780	-	2.500	1.299	0.598	-	UNF1/4-28 1/4L
AL003B	CA50 AD/B - EMH 5/16 - 2.50		0.310	0.880	-	2.500	1.358	0.630	-	UNF5/16-24 1/4L	1
AL004B.	CAT50 AD/B - EMH 3/8 - 2.50		0.380	1.000	-	2.500	1.417	0.630	-	UNF3/8-24 5/16L	1
AL005B	CAT50 AD/B - EMH 7/16 - 2.63		0.440	1.130	-	2.630	1.417	0.630	-	UNF3/8-24 25/64L	1
AL006B	CAT50 AD/B - EMH 1/2 - 2.63		0.500	1.250	-	2.630	1.693	0.787	-	UNF7/16-20 3/8L	1
AL008B.	CAT50 AD/B - EMH 5/8 - 3.75		0.630	1.500	-	3.750	1.929	0.881	-	UNF1/2-20 1/2L	1
AL010B	CAT50 AD/B - EMH 3/4 - 3.75		0.750	1.750	-	3.750	2.047	0.909	-	UNF5/8-18 1/2L	1
AL012B	CAT50 AD/B - EMH 7/8 - 3.75		0.880	1.880	-	3.750	4.200	0.650	0.811	UNF5/8-18 1/2L	2
AL014B	CAT50 AD/B - EMH 1.0 - 4.00		1.000	2.000	-	4.000	4.400	0.831	0.902	UNF3/4-16 1/2L	2
AL017B	CAT50 AD/B - EMH 1 1/4 - 4.00		1.250	2.500	-	4.000	4.000	0.831	0.902	UNF3/4-16 11/16L	2
AL021B	CAT50 AD/B - EMH 1 1/2 - 4.00		1.500	2.500	-	4.000	3.978	0.881	1.063	UNF3/4-16 1/2L	2
AL029B	CAT50 AD/B - EMH 2.0 - 5.63		2.000	3.750	-	5.630	5.000	1.299	1.358	UNS1-14 7/8L	2

* High balanced End Mill Holders are available on request.

Hydraulic Chuck
Shrink Fit Holder
End Mill Holder & Side Lock Arbor
ER Collet Chuck
SK Slim Chuck
TG Collet Chuck
Power Milling Chuck
Morse Taper Adapter
Tapping Chuck
One Step Tapping Chuck
Shell Mill Arbor
NC Drill Chuck
Jacobs Taper Arbor
Stub Arbor
Sitting Saw Arbor
Pull Stud & Tool Clamp

END MILL HOLDER

CAT



ASME B5.50-2009-CAT

Set screws
Refer to page 124



• EXTENDED

Unit : inch

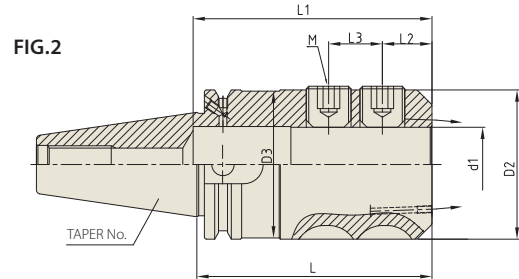
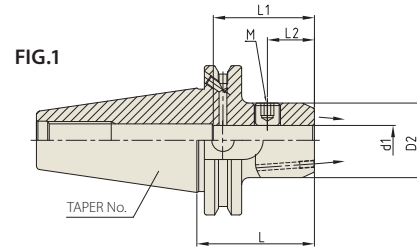
EDP No.	TAPER No.	MODEL No.	d1	D2	D3	L	L1	L2	L3	M	FIG.
AK104B	40	CAT40 AD/B - EMH 3/8 - 4.50	0.375	1.000	-	4.500	1.417	0.630	-	UNF3/8-24 5/16L	1
AK106B		CAT40 AD/B - EMH 1/2 - 4.63	0.500	1.250	-	4.630	1.693	0.787	-	UNF7/16-20 3/8L	1
AK108B		CAT40 AD/B - EMH 5/8 - 5.75	0.625	1.500	-	5.750	3.600	0.881	-	UNF1/2-20 1/2L	1
AK110B		CAT40 AD/B - EMH 3/4 - 5.75	0.750	1.750	-	5.750	3.900	0.909	-	UNF5/8-18 1/2L	1
AK112B		CAT40 AD/B - EMH 7/8 - 6.00	0.875	1.880	-	6.000	4.200	0.650	0.811	UNF5/8-18 1/2L	2
AK114B		CAT40 AD/B - EMH 1.0 - 6.00	1.000	2.000	-	6.000	4.400	0.831	0.902	UNF3/4-16 1/2L	2
AK117B		CAT40 AD/B - EMH 1 1/4 - 6.25	1.250	2.500	2.461	6.250	4.000	0.831	0.902	UNF3/4-16 11/16L	2
AK121B		CAT40 AD/B - EMH 1 1/2 - 6.63	1.500	2.500	2.461	6.630	3.978	0.881	1.063	UNF3/4-16 1/2L	2
AL104B		50	CAT50 AD/B - EMH 3/8 - 4.50	0.375	1.000	-	4.500	1.417	0.630	-	UNF3/8-24 5/16L
AL106B	CAT50 AD/B - EMH 1/2 - 4.63		0.500	1.250	-	4.630	1.693	0.787	-	UNF7/16-20 3/8L	1
AL108B	CAT50 AD/B - EMH 5/8 - 5.75		0.625	1.500	-	5.750	3.449	0.881	-	UNF1/2-20 1/2L	1
AL110B	CAT50 AD/B - EMH 3/4 - 5.75		0.750	1.750	-	5.750	3.203	0.909	-	UNF5/8-18 1/2L	1
AL112B	CAT50 AD/B - EMH 7/8 - 5.75		0.875	1.880	-	5.750	4.200	0.650	0.811	UNF5/8-18 1/2L	2
AL114B	CAT50 AD/B - EMH 1.0 - 6.00		1.000	2.000	-	6.000	4.400	0.831	0.902	UNF3/4-16 1/2L	2
AL117B	CAT50 AD/B - EMH 1 1/4 - 6.00		1.250	2.500	-	6.000	4.000	0.831	0.902	UNF3/4-16 11/16L	2
AL121B	CAT50 AD/B - EMH 1 1/2 - 6.00		1.500	2.500	-	6.000	3.978	0.881	1.063	UNF3/4-16 1/2L	2
AL129B	CAT50 AD/B - EMH 2.0 - 7.63		2.000	3.750	-	7.630	5.000	1.299	1.358	UNS1-14 7/8L	2

* High balanced End Mill Holders are available on request.


END MILL HOLDER

CAT

COOLANT CHANNEL TYPE



ASME B5.50-2009-CAT

 Set screws
Refer to page 124



Unit : inch

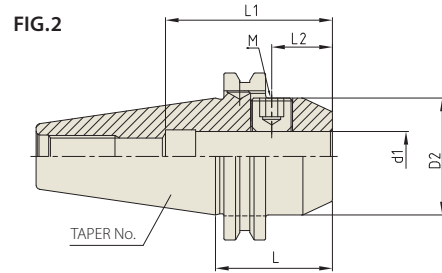
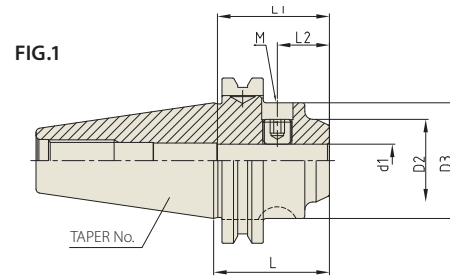
EDP No.	TAPER No.	MODEL No.	d1	D2	D3	L	L1	L2	L3	M	FIG.
AK002C	40	CAT40 AD/B - EMH 1/4C - 1.97	0.250	0.780	-	1.969	1.299	0.598	-	UNF1/4-28 1/4L	1
AK003C		CAT40 AD/B - EMH 5/16C - 1.97	0.313	0.880	-	1.969	1.359	0.630	-	UNF5/16-24 1/4L	1
AK004C		CAT40 AD/B - EMH 3/8C - 1.97	0.375	1.000	-	1.969	1.417	0.630	-	UNF3/8-24 5/16L	1
AK005C		CAT40 AD/B - EMH 1/2C - 1.97	0.500	1.250	-	1.969	1.693	0.787	-	UNF7/16-20 3/8L	1
AK008C		CAT40 AD/B - EMH 5/8C - 2.48	0.625	1.500	-	2.480	3.600	0.882	-	UNF1/2-20 1/2L	1
AK010C		CAT40 AD/B - EMH 3/4C - 2.48	0.750	1.750	-	2.480	3.900	0.909	-	UNF5/8-18 1/2L	1
AK012C		CAT40 AD/B - EMH 1.0C - 3.94	1.000	2.000	-	3.937	4.400	0.831	0.902	UNF3/4-16 1/2L	2
AK017C		CAT40 AD/B - EMH 1 1/4C - 3.94	1.250	2.500	2.461	3.937	4.000	0.831	0.902	UNF3/4-16 11/16L	2
AL002C	50	CAT50 AD/B - EMH 1/4C - 2.48	0.250	0.780	-	2.480	1.299	0.591	-	UNF1/4-28 1/4L	1
AL003C		CAT50 AD/B - EMH 5/16C - 2.48	0.313	0.880	-	2.480	1.358	0.630	-	UNF5/16-24 1/4L	1
AL004C		CAT50 AD/B - EMH 3/8C - 2.48	0.375	1.000	-	2.480	1.417	0.630	-	UNF3/8-24 5/16L	1
AL005C		CAT50 AD/B - EMH 1/2C - 2.48	0.500	1.250	-	2.480	1.693	0.787	-	UNF3/8-24 25/64L	1
AL008C		CAT50 AD/B - EMH 5/8C - 2.48	0.625	1.500	-	2.480	1.890	0.882	-	UNF1/2-20 1/2L	1
AL010C		CAT50 AD/B - EMH 3/4C - 2.48	0.750	1.750	-	2.480	1.925	0.909	-	UNF5/8-18 1/2L	1
AL012C		CAT50 AD/B - EMH 1.0C - 3.15	1.000	2.000	-	3.150	4.400	0.831	0.902	UNF3/4-16 1/2L	2
AL017C		CAT50 AD/B - EMH 1 1/4C - 3.94	1.250	2.500	-	3.937	4.000	0.831	0.902	UNF3/4-16 11/16L	2

* High balanced End Mill Holders are available on request.

Hydraulic Chuck
Shrink Fit Holder
End Mill Holder & Side Lock Arbor
ER Collet Chuck
SK Slim Chuck
TG Collet Chuck
Power Milling Chuck
Morse Taper Adapter
Tapping Chuck
One Step Tapping Chuck
Shell Mill Arbor
NC Drill Chuck
Jacobs Taper Arbor
Stub Arbor
Slitting Saw Arbor
Pull Stud & Tool Clamp

HIGH BALANCED END MILL HOLDER

CAT



ASME B5.50-2009-CAT

Set screws
Refer to page 124



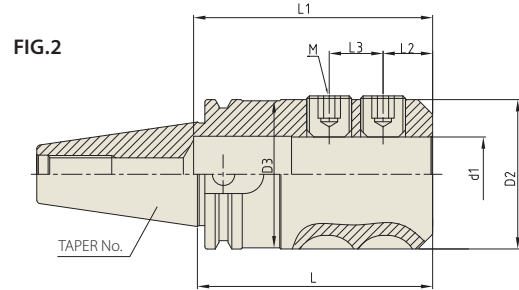
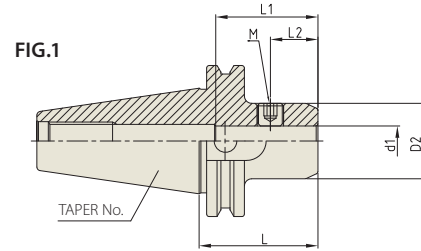
• STUB

Unit : inch

EDP No.	TAPER No.	MODEL No.	d1	D2	D3	L	L1	L2	M	FIG.
AK206B25	40	CAT40 - EMH 1/2 - 1.75	0.500	1.250	1.750	1.750	1.693	0.787	UNF7/16-20 3/8L	1
AK208B25		CAT40 - EMH 5/8 - 1.75	0.625	1.500	1.750	1.750	1.929	0.882	UNF1/2-20 1/2L	1
AK210B25		CAT40 - EMH 3/4 - 1.75	0.750	1.750	-	1.750	2.047	0.909	UNF5/8-18 1/2L	2
AK214B25		CAT40 - EMH 1.0 - 1.75	1.000	1.750	-	1.750	2.165	0.831	UNF3/4-16 3/8L	2
AK217B25		CAT40 - EMH 1 1/4 - 2.00	1.250	2.250	-	2.000	2.221	0.831	UNF3/4-16 1/2L	2

HIGH BALANCED END MILL HOLDER

CAT



ASME B5.50-2009-CAT

Set screws
Refer to page 124



• STANDARD

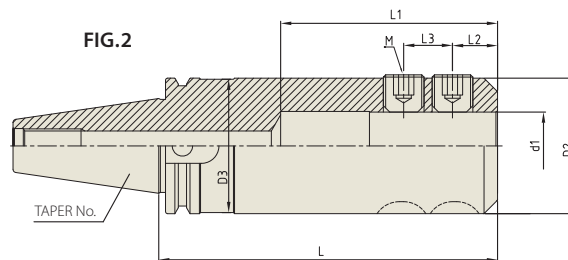
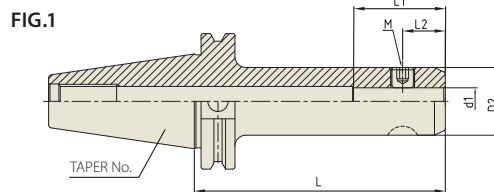
Unit : inch

EDP No.	TAPER No.	MODEL No.	d1	D2	D3	L	L1	L2	L3	M	FIG.	
AK000B25	40	CAT40 - EMH 1/8 - 2.50	0.125	0.690	-	2.500	0.591	0.295	-	UNC#8-32 1/4L	1	
AK001B25		CAT40 - EMH 3/16 - 2.50	0.187	0.690	-	2.500	0.787	0.441	-	UNC#10-32 1/4L	1	
AK002B25		CAT40 - EMH 1/4 - 2.50	0.250	0.780	-	2.500	1.299	0.598	-	UNF1/4-28 1/4L	1	
AK003B25		CAT40 - EMH 5/16 - 2.50	0.312	0.880	-	2.500	1.358	0.630	-	UNF5/16-24 1/4L	1	
AK004B25		CAT40 - EMH 3/8 - 2.50	0.375	1.000	-	2.500	1.417	0.630	-	UNF3/8-24 5/16L	1	
AK005B25		CAT40 - EMH 7/16 - 2.50	0.437	1.130	-	2.500	1.417	0.630	-	UNF3/8-24 25/64L	1	
AK006B25		CAT40 - EMH 1/2 - 2.63	0.500	1.250	-	2.500	1.693	0.787	-	UNF7/16-20 3/8L	1	
AK008B25		CAT40 - EMH 5/8 - 3.75	0.625	1.500	-	2.500	3.600	0.881	-	UNF1/2-20 1/2L	1	
AK010B25		CAT40 - EMH 3/4 - 3.75	0.750	1.750	-	2.500	3.900	0.909	-	UNF5/8-18 1/2L	1	
AK012B25		CAT40 - EMH 7/8 - 4.00	0.875	1.880	-	3.500	4.200	0.650	0.811	UNF5/8-18 1/2L	2	
AK014B25		CAT40 - EMH 1.0 - 4.00	1.000	2.000	-	3.750	4.400	0.831	0.902	UNF3/4-16 1/2L	2	
AK017B25		CAT40 - EMH 1 1/4 - 4.25	1.250	2.500	2.461	3.750	4.000	0.831	0.902	UNF3/4-16 11/16L	2	
AK021B25		CAT40 - EMH 1 1/2 - 4.63	1.500	2.500	2.461	4.250	3.978	0.881	1.063	UNF3/4-16 1/2L	2	
AL002B25		50	CAT50 - EMH 1/4 - 2.50	0.250	0.780	-	2.500	1.299	0.598	-	UNF1/4-28 1/4L	1
AL003B25			CAT50 - EMH 5/16 - 2.50	0.312	0.880	-	2.500	1.358	0.630	-	UNF5/16-24 1/4L	1
AL004B25			CAT50 - EMH 3/8 - 2.50	0.375	1.000	-	2.500	1.417	0.630	-	UNF3/8-24 5/16L	1
AL005B25	CAT50 - EMH 7/16 - 2.63		0.437	1.130	-	2.630	1.417	0.630	-	UNF3/8-24 25/64L	1	
AL006B25	CAT50 - EMH 1/2 - 2.63		0.500	1.250	-	2.630	1.693	0.787	-	UNF7/16-20 3/8L	1	
AL008B25	CAT50 - EMH 5/8 - 3.75		0.625	1.500	-	3.750	3.449	0.881	-	UNF1/2-20 1/2L	1	
AL010B25	CAT50 - EMH 3/4 - 3.75		0.750	1.750	-	3.750	3.203	0.909	-	UNF5/8-18 1/2L	1	
AL012B25	CAT50 - EMH 7/8 - 3.75		0.875	1.880	-	3.750	4.200	0.650	0.811	UNF5/8-18 1/2L	2	
AL014B25	CAT50 - EMH 1.0 - 4.00		1.000	2.000	-	4.000	4.400	0.831	0.902	UNF3/4-16 1/2L	2	
AL017B25	CAT50 - EMH 1 1/4 - 4.00		1.250	2.500	-	4.000	4.000	0.831	0.902	UNF3/4-16 11/16L	2	
AL021B25	CAT50 - EMH 1 1/2 - 4.00		1.500	2.500	-	4.000	3.978	0.881	1.063	UNF3/4-16 1/2L	2	
AL029B25	CAT50 - EMH 2.0 - 5.63		2.000	3.750	-	5.630	5.000	1.299	1.358	UNS1-14 7/8L	2	

Hydraulic Chuck
Shrink Fit Holder
End Mill Holder & Side Lock Arbor
ER Collet Chuck
SKS Slim Chuck
TG Collet Chuck
Power Milling Chuck
Morse Taper Adapter
Tapping Chuck
One Step Tapping Chuck
Shell Mill Arbor
NC Drill Chuck
Jacobs Taper Arbor
Stub Arbor
Sitting Saw Arbor
Pull Stud & Tool Clamp

HIGH BALANCED END MILL HOLDER

CAT



ASME B5.50-2009-CAT

Set screws
Refer to page 124

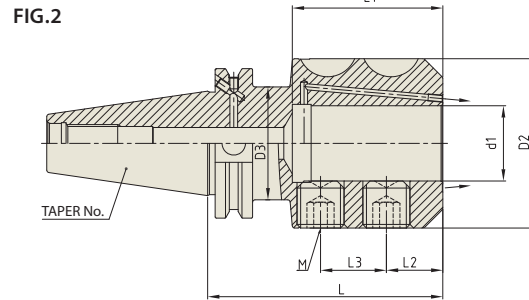
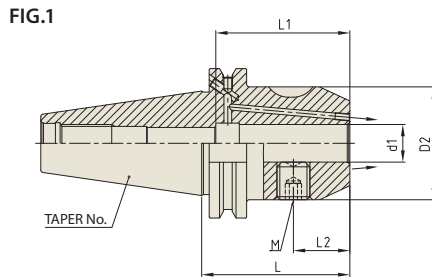


• EXTENDED

Unit : inch

EDP No.	TAPER No.	MODEL No.	d1	D2	D3	L	L1	L2	L3	M	FIG.
AK104B25	40	CAT40 - EMH 3/8 - 4.50	0.375	1.000	-	4.500	1.417	0.630	-	UNF3/8-24 5/16L	1
AK106B25		CAT40 - EMH 1/2 - 4.63	0.500	1.250	-	4.630	1.693	0.787	-	UNF7/16-20 3/8L	1
AK108B25		CAT40 - EMH 5/8 - 5.75	0.625	1.500	-	5.750	3.600	0.882	-	UNF1/2-20 1/2L	1
AK110B25		CAT40 - EMH 3/4 - 5.75	0.750	1.750	-	5.750	3.900	0.909	-	UNF5/8-18 1/2L	1
AK112B25		CAT40 - EMH 7/8 - 6.00	0.875	1.880	-	6.000	4.200	0.650	0.811	UNF5/8-18 1/2L	2
AK114B25		CAT40 - EMH 1.0 - 6.00	1.000	2.000	-	6.000	4.636	0.831	0.902	UNF3/4-16 1/2L	2
AK117B25		CAT40 - EMH 1 1/4 - 6.25	1.250	2.500	2.461	6.250	4.000	0.831	0.902	UNF3/4-16 11/16L	2
AK121B25		CAT40 - EMH 1 1/2 - 6.63	1.500	2.500	2.461	6.630	3.976	0.882	1.063	UNF3/4-16 1/2L	2
AL104B25		50	CAT50 - EMH 3/8 - 4.50	0.375	1.000	-	4.500	1.417	0.630	-	UNF3/8-24 5/16L
AL106B25	CAT50 - EMH 1/2 - 4.63		0.500	1.250	-	4.630	1.693	0.787	-	UNF7/16-20 3/8L	1
AL108B25	CAT50 - EMH 5/8 - 5.75		0.625	1.500	-	5.750	3.449	0.881	-	UNF1/2-20 1/2L	1
AL110B25	CAT50 - EMH 3/4 - 5.75		0.750	1.750	-	5.750	3.203	0.909	-	UNF5/8-18 1/2L	1
AL112B25	CAT50 - EMH 7/8 - 5.75		0.875	1.880	-	5.750	4.200	0.650	0.811	UNF5/8-18 1/2L	2
AL114B25	CAT50 - EMH 1.0 - 6.00		1.000	2.000	-	6.000	4.400	0.831	0.902	UNF3/4-16 1/2L	2
AL117B25	CAT50 - EMH 1 1/4 - 6.00		1.250	2.500	-	6.000	4.000	0.831	0.902	UNF3/4-16 11/16L	2
AL121B25	CAT50 - EMH 1 1/2 - 6.00		1.500	2.500	-	6.000	3.978	0.881	1.063	UNF3/4-16 1/2L	2
AL129B25	CAT50 - EMH 2.0 - 7.63		2.000	3.750	-	7.630	5.000	1.299	1.358	UNS1-14 7/8L	2

COOLANT CHANNEL TYPE



ASME B5.50-2009-CAT

Set screws
Refer to page 124



Unit : mm

EDP No.	TAPER No.	MODEL No.	d1	D2	L	L1	L2	L3	M	FIG.	WEIGHT (Kg)
AK311B15C	40	CAT40 AD/B - EMH 6C - 50	6	25	50	35	18	-	M6	1	0.86
AK312B15C		CAT40 AD/B - EMH 8C - 50	8	28	50	35	18	-	M8	1	0.89
AK313B15C		CAT40 AD/B - EMH 10C - 50	10	35	50	39	20	-	M10	1	0.95
AK314B15C		CAT40 AD/B - EMH 12C - 50	12	42	50	36	22.5	-	M12	1	1.03
AK315B15C		CAT40 AD/B - EMH 14C - 50	14	44	50	48	22.5	-	M12	1	1.26
AK316B15C		CAT40 AD/B - EMH 16C - 63	16	48	63	54	24	-	M14	1	1.28
AK317B15C		CAT40 AD/B - EMH 18C - 63	18	50	63	54	24	-	M14	1	1.35
AK318B15C		CAT40 AD/B - EMH 20C - 63	20	52	63	55	25	-	M16	1	1.28
AK319B15C		CAT40 AD/B - EMH 25C - 100	25	65	100	69	24	25	M18	2	2.28
AK320B15C		CAT40 AD/B - EMH 32C - 100	32	72	100	64	24	28	M20	2	2.50
AL311B15C	50	CAT50 AD/B - EMH 6C - 63	6	25	63	35	18	-	M6	1	2.70
AL312B15C		CAT50 AD/B - EMH 8C - 63	8	28	63	35	18	-	M8	1	2.70
AL313B15C		CAT50 AD/B - EMH 10C - 63	10	35	63	39	20	-	M10	1	2.90
AL314B15C		CAT50 AD/B - EMH 12C - 63	12	42	63	46	22.5	-	M12	1	2.90
AL315B15C		CAT50 AD/B - EMH 14C - 63	14	44	63	46	22.5	-	M12	1	2.90
AL316B15C		CAT50 AD/B - EMH 16C - 63	16	48	63	46	24	-	M14	1	3.00
AL317B15C		CAT50 AD/B - EMH 18C - 63	18	50	63	46	24	-	M14	1	3.00
AL318B15C		CAT50 AD/B - EMH 20C - 63	20	52	63	56	25	-	M16	1	3.05
AL319B15C		CAT50 AD/B - EMH 25C - 80	25	65	80	60	24	25	M18	2	3.73
AL320B15C		CAT50 AD/B - EMH 32C - 100	32	72	100	64	24	28	M20	2	4.53
AL321B15C		CAT50 AD/B - EMH 40C - 120	40	80	120	74	30	32	M20	2	4.77
AL322B15C		CAT50 AD/B - EMH 50C - 125	50	100	125	84	35	35	M24	2	7.03

HIGH BALANCED END MILL HOLDER

CAT

COOLANT CHANNEL TYPE

FIG.1

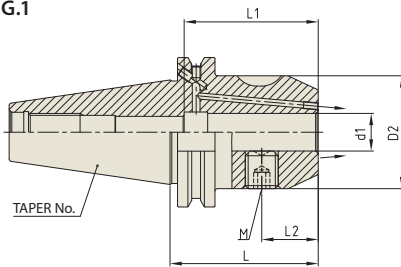
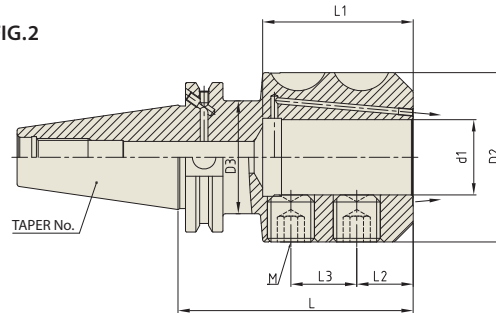


FIG.2



ASME B5.50-2009-CAT

Set screws
Refer to page 124

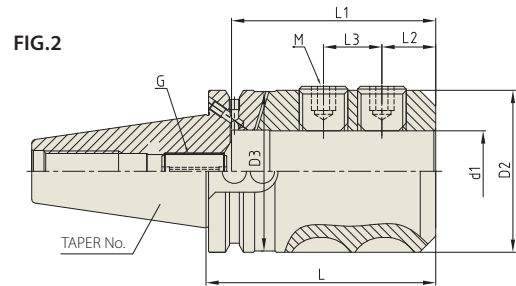
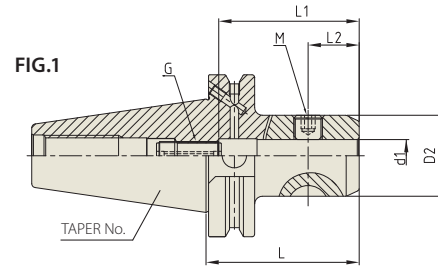


Unit : mm

EDP No.	TAPER No.	MODEL No.	d1	D2	L	L1	L2	L3	M	FIG.	WEIGHT (Kg)
AK311B25C	40	CAT40 AD/B - EMH 6C - 50	6	25	50	35	18	-	M6	1	0.86
AK312B25C		CAT40 AD/B - EMH 8C - 50	8	28	50	35	18	-	M8	1	0.89
AK313B25C		CAT40 AD/B - EMH 10C - 50	10	35	50	39	20	-	M10	1	0.95
AK314B25C		CAT40 AD/B - EMH 12C - 50	12	42	50	46	22.5	-	M12	1	1.03
AK315B25C		CAT40 AD/B - EMH 14C - 50	14	44	50	48	22.5	-	M12	1	1.26
AK316B25C		CAT40 AD/B - EMH 16C - 63	16	48	63	54	24	-	M14	1	1.28
AK317B25C		CAT40 AD/B - EMH 18C - 63	18	50	63	54	24	-	M14	1	1.35
AK318B25C		CAT40 AD/B - EMH 20C - 63	20	52	63	55	25	-	M16	1	1.28
AK319B25C		CAT40 AD/B - EMH 25C - 100	25	65	100	59	24	25	M18	2	2.28
AK320B25C		CAT40 AD/B - EMH 32C - 100	32	72	100	64	24	28	M20	2	2.50
AL311B25C	50	CAT50 AD/B - EMH 6C - 63	6	25	63	35	18	-	M6	1	2.70
AL312B25C		CAT50 AD/B - EMH 8C - 63	8	28	63	35	18	-	M8	1	2.70
AL313B25C		CAT50 AD/B - EMH 10C - 63	10	35	63	39	20	-	M10	1	2.90
AL314B25C		CAT50 AD/B - EMH 12C - 63	12	42	63	46	22.5	-	M12	1	2.90
AL315B25C		CAT50 AD/B - EMH 14C - 63	14	44	63	46	22.5	-	M12	1	2.90
AL316B25C		CAT50 AD/B - EMH 16C - 63	16	48	63	46	24	-	M14	1	3.00
AL317B25C		CAT50 AD/B - EMH 18C - 63	18	50	63	46	24	-	M14	1	3.00
AL318B25C		CAT50 AD/B - EMH 20C - 63	20	52	63	56	25	-	M16	1	3.05
AL319B25C		CAT50 AD/B - EMH 25C - 80	25	65	80	60	24	25	M18	2	3.73
AL320B25C		CAT50 AD/B - EMH 32C - 100	32	72	100	64	24	28	M20	2	4.53
AL321B25C		CAT50 AD/B - EMH 40C - 120	40	80	120	74	30	32	M20	2	4.77
AL322B25C		CAT50 AD/B - EMH 50C - 125	50	100	125	84	35	35	M24	2	7.03

DUAL CONTACT SIDE LOCK ARBOR

CCT



CCT (CAT DUAL CONTACT)

Set screws
Refer to page 124



Unit : inch

EDP No.	TAPER No.	MODEL No.	d1	D2	D3	L	L1	L2	L3	M	G	FIG.
AB020	40	CCT40 AD/B - SLA 1/4 - 2.36	0.250	0.780	-	2.362	1.378	0.598	-	UNF1/4-28 1/4L	UNF#10-32 3/4L	1
AB022		CCT40 AD/B - SLA 5/16 - 2.36	0.313	0.880	-	2.362	1.378	0.630	-	UNF5/16-24 1/4L	UNF1/4-28 3/4L	1
AB024		CCT40 AD/B - SLA 3/8 - 2.36	0.375	1.000	-	2.362	1.969	0.630	-	UNF3/8-24 5/16L	UNF5/16-24 3/4L	1
AB026		CCT40 AD/B - SLA 1/2 - 2.36	0.500	1.250	-	2.362	2.165	0.787	-	UNF7/16-20 3/8L	UNF7/16-16 1.0L	1
AB028		CCT40 AD/B - SLA 5/8 - 3.54	0.625	1.500	-	3.543	2.756	0.882	-	UNF1/2-20 1/2L	UN9/16-16 1.0L	1
AB030		CCT40 AD/B - SLA 3/4 - 3.54	0.750	1.750	-	3.543	2.756	0.909	-	UNF5/8-18 1/2L	UN9/16-16 1.0L	1
AB032		CCT40 AD/B - SLA 1.0 - 3.54	1.000	2.000	-	3.543	2.756	0.831	0.902	UNF3/4-16 1/2L	UN9/16-16 1.0L	2
AB034		CCT40 AD/B - SLA 1 1/4 - 3.54	1.250	2.500	2.461	3.543	3.150	0.831	0.902	UNF3/4-16 1/2L	UN9/16-16 1.0L	2
AC020		50	CCT50 AD/B - SLA 1/4 - 3.54	0.250	0.780	-	3.543	1.378	0.598	-	UNF1/4-28 1/4L	UNF#10-32 3/4L
AC022	CCT50 AD/B - SLA 5/16 - 3.54		0.313	0.880	-	3.543	1.378	0.630	-	UNF5/16-24 1/4L	UNF1/4-28 3/4L	1
AC024	CCT50 AD/B - SLA 3/8 - 3.54		0.375	1.000	-	3.543	1.969	0.630	-	UNF3/8-24 5/16L	UNF5/16-24 3/4L	1
AC026	CCT50 AD/B - SLA 1/2 - 3.54		0.500	1.250	-	3.543	2.165	0.787	-	UNF7/16-20 3/8L	UNF7/16-16 1.0L	1
AC028	CCT50 AD/B - SLA 5/8 - 4.13		0.625	1.500	-	4.134	2.756	0.882	-	UNF1/2-20 1/2L	UN9/16-16 1.0L	1
AC030	CCT50 AD/B - SLA 3/4 - 4.13		0.750	1.750	-	4.134	2.756	0.909	-	UNF5/8-18 1/2L	UN9/16-16 1.0L	1
AC032	CCT50 AD/B - SLA 1.0 - 4.13		1.000	2.000	-	4.134	2.756	0.831	0.902	UNF3/4-16 1/2L	UN9/16-16 1.0L	2
AC034	CCT50 AD/B - SLA 1 1/4 - 4.13		1.250	2.500	-	4.134	3.150	0.831	0.902	UNF3/4-16 1/2L	UN9/16-16 1.0L	2

END MILL HOLDER

BT



FIG.1

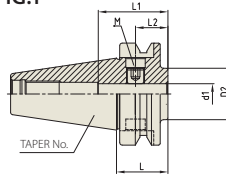


FIG.3

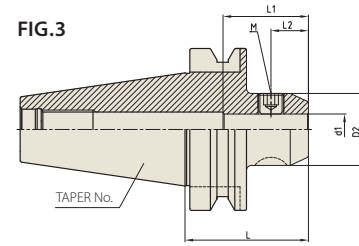


FIG.2

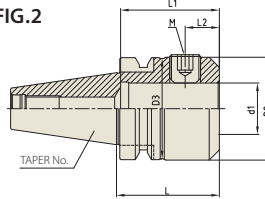
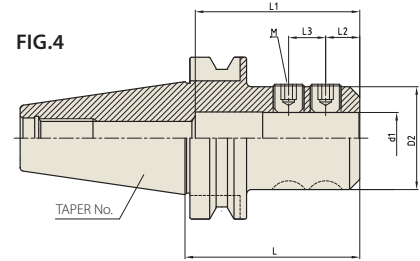


FIG.4



JIS B6339/MAS 403-BT

Set screws
Refer to page 124



• STUB

Unit : inch

EDP No.	TAPER No.	MODEL No.	d1	D2	D3	L	L1	L2	L3	M	FIG.
AH206	40	BT40 - EMH 1/2 - 1.25	0.500	1.250	-	1.250	1.693	0.787	-	UNF7/16-20 3/8L	1
AH208		BT40 - EMH 5/8 - 1.38	0.625	1.500	-	1.380	2.400	0.866	-	UNF1/2-20 1/2L	1
AH210		BT40 - EMH 3/4 - 1.44	0.750	1.750	-	1.440	2.500	0.909	-	UNF5/8-18 1/2L	1
AH214		BT40 - EMH 1.0 - 2.50	1.000	2.000	-	2.500	2.500	0.831	-	UNF3/4-16 1/2L	1
AH217		BT40 - EMH 1 1/4 - 2.50	1.250	2.500	2.441	2.500	2.500	0.831	-	UNF3/4-16 11/16L	2

• STANDARD

Unit : inch

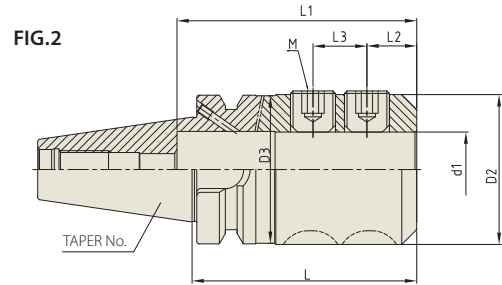
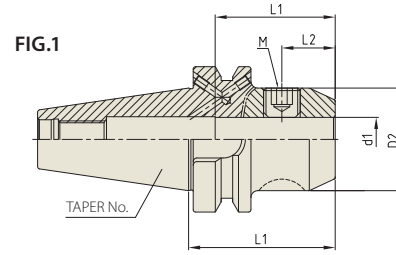
EDP No.	TAPER No.	MODEL No.	d1	D2	D3	L	L1	L2	L3	M	FIG.
AI002	50	BT50 - EMH 1/4 - 3.00	0.250	0.780	-	3.000	1.299	0.598	-	UNF1/4-28 1/4L	3
AI004		BT50 - EMH 3/8 - 3.00	0.375	1.000	-	3.000	1.417	0.630	-	UNF3/8-24 5/16L	3
AI006		BT50 - EMH 1/2 - 3.00	0.500	1.250	-	3.000	1.693	0.787	-	UNF7/16-20 3/8L	3
AI008		BT50 - EMH 5/8 - 3.00	0.625	1.500	-	3.000	1.929	0.882	-	UNF1/2-20 1/2L	3
AI010		BT50 - EMH 3/4 - 3.00	0.750	1.750	-	3.000	2.047	0.909	-	UNF5/8-18 1/2L	3
AI012		BT50 - EMH 7/8 - 4.00	0.875	1.880	-	4.000	4.200	0.650	-	UNF5/8-18 1/2L	4
AI014		BT50 - EMH 1.0 - 4.25	1.000	2.000	-	4.250	4.636	0.831	0.902	UNF3/4-16 1/2L	4
AI017		BT50 - EMH 1 1/4 - 4.25	1.250	2.500	-	4.250	4.000	0.831	0.902	UNF3/4-16 11/16L	4
AI021		BT50 - EMH 1 1/2 - 4.25	1.500	2.500	-	4.250	3.976	0.882	1.063	UNF3/4-16 1/2L	4
AI029		BT50 - EMH 2.0 - 5.00	2.000	3.750	-	5.000	5.000	1.299	1.358	UNS1-14 7/8L	4

• EXTENDED

Unit : inch

EDP No.	TAPER No.	MODEL No.	d1	D2	D3	L	L1	L2	L3	M	FIG.
AI104	50	BT50 - EMH 3/8 - 6.00	0.375	1.000	-	6.000	1.417	0.630	-	UNF3/8-24 5/16L	3
AI106		BT50 - EMH 1/2 - 6.00	0.500	1.250	-	6.000	1.693	0.787	-	UNF7/16-20 3/8L	3
AI108		BT50 - EMH 5/8 - 6.00	0.625	1.500	-	6.000	1.929	0.882	-	UNF1/2-20 1/2L	3
AI110		BT50 - EMH 3/4 - 6.00	0.750	1.750	-	6.000	2.047	0.909	-	UNF5/8-18 1/2L	3
AI112		BT50 - EMH 7/8 - 6.00	0.875	1.880	-	6.000	4.200	0.650	-	UNF5/8-18 1/2L	4
AI114		BT50 - EMH 1.0 - 6.00	1.000	2.000	-	6.000	4.636	0.831	0.902	UNF3/4-16 1/2L	4
AI117		BT50 - EMH 1 1/4 - 6.00	1.250	2.500	-	6.000	4.000	0.831	0.902	UNF3/4-16 11/16L	4
AI121		BT50 - EMH 1 1/2 - 6.00	1.500	2.500	-	6.000	3.976	0.882	1.063	UNF3/4-16 1/2L	4
AI129		BT50 - EMH 2.0 - 6.00	2.000	3.750	-	6.000	5.000	1.299	1.358	UNS1-14 7/8L	4

* High balanced End Mill Holders on page 115~117.



JIS B6339/MAS 403-BT

Set screws
Refer to page 124



• STANDARD

Unit : inch

EDP No.	TAPER No.	MODEL No.	d1	D2	D3	L	L1	L2	L3	M	FIG.
AH000B	40	BT40 AD/B - EMH 1/8 - 2.50	0.125	0.690	-	2.500	0.591	0.295	-	UNC#8-32 1/4L	1
AH001B		BT40 AD/B - EMH 3/16 - 2.50	0.187	0.690	-	2.500	0.787	0.441	-	UNC#10-32 1/4L	1
AH002B		BT40 AD/B - EMH 1/4 - 2.50	0.250	0.780	-	2.500	1.299	0.598	-	UNF1/4-28 1/4L	1
AH003B		BT40 AD/B - EMH 5/16 - 2.50	0.312	0.880	-	2.500	1.358	0.630	-	UNF5/16-24 1/4L	1
AH004B		BT40 AD/B - EMH 3/8 - 2.50	0.375	1.000	-	2.500	1.417	0.630	-	UNF3/8-24 5/16L	1
AH005B		BT40 AD/B - EMH 7/16 - 2.50	0.437	1.130	-	2.500	1.417	0.630	-	UNF3/8-24 25/64L	1
AH006B		BT40 AD/B - EMH 1/2 - 2.50	0.500	1.250	-	2.500	1.693	0.787	-	UNF7/16-20 3/8L	1
AH008B		BT40 AD/B - EMH 5/8 - 2.50	0.625	1.500	-	2.500	3.600	0.881	-	UNF1/2-20 1/2L	1
AH010B		BT40 AD/B - EMH 3/4 - 2.50	0.750	1.750	-	2.500	3.900	0.909	-	UNF5/8-18 1/2L	1
AH012B		BT40 AD/B - EMH 7/8 - 3.50	0.875	1.880	-	3.500	4.200	0.650	0.811	UNF5/8-18 1/2L	2
AH014B		BT40 AD/B - EMH 1.0 - 3.75	1.000	2.000	-	3.750	4.400	0.831	0.902	UNF3/4-16 1/2L	2
AH017B		BT40 AD/B - EMH 1 1/4 - 3.75	1.250	2.500	2.461	3.750	4.000	0.831	0.902	UNF3/4-16 11/16L	2
AH021B		BT40 AD/B - EMH 1 1/2 - 4.25	1.500	2.500	2.461	4.250	3.978	0.881	1.063	UNF3/4-16 1/2L	2

• EXTENDED

Unit : inch

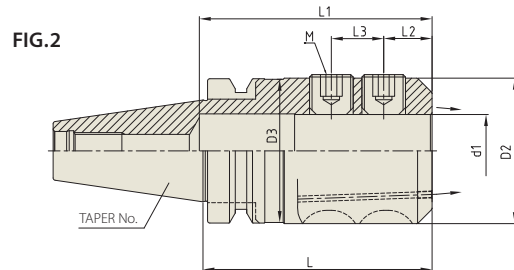
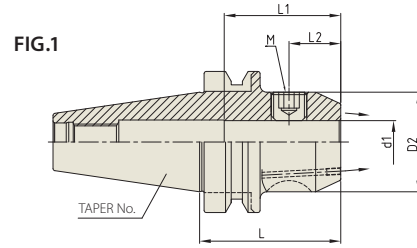
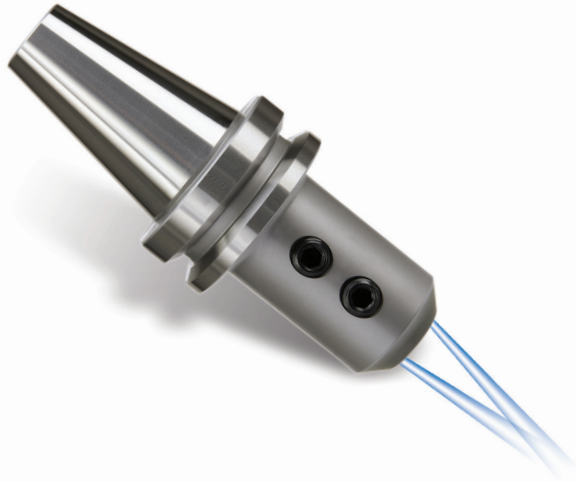
EDP No.	TAPER No.	MODEL No.	d1	D2	D3	L	L1	L2	L3	M	FIG.
AH104B	40	BT40 AD/B - EMH 3/8 - 4.00	0.375	1.000	-	4.000	1.417	0.630	-	UNF3/8-24 5/16L	1
AH106B		BT40 AD/B - EMH 1/2 - 4.00	0.500	1.250	-	4.000	1.693	0.787	-	UNF7/16-20 3/8L	1
AH108B		BT40 AD/B - EMH 5/8 - 4.00	0.625	1.500	-	4.000	3.600	0.881	-	UNF1/2-20 1/2L	1
AH110B		BT40 AD/B - EMH 3/4 - 4.00	0.750	1.750	-	4.000	2.047	0.909	-	UNF5/8-18 1/2L	1
AH114B		BT40 AD/B - EMH 1.0 - 5.00	1.000	2.000	-	5.000	4.400	0.831	0.902	UNF3/4-16 1/2L	2
AH117B		BT40 AD/B - EMH 1 1/4 - 5.00	1.250	2.500	2.461	5.000	4.000	0.831	0.902	UNF3/4-16 11/16L	2
AH121B		BT40 AD/B - EMH 1 1/2 - 6.00	1.500	2.500	2.461	6.000	3.978	0.881	1.063	UNF3/4-16 1/2L	2

* High balanced End Mill Holders on page 115-117.

END MILL HOLDER

BT

COOLANT CHANNEL TYPE



JIS B6339/MAS 403-BT

Set screws
Refer to page 124



Unit : inch

EDP No.	TAPER No.	MODEL No.	d1	D2	D3	L	L1	L2	L3	M	FIG.
AH002C	40	BT40 AD/B - EMH 1/4C - 1.97	0.250	0.780	-	1.969	1.299	0.598	-	UNF1/4-28 1/4L	1
AH003C		BT40 AD/B - EMH 5/16C - 1.97	0.313	0.880	-	1.969	1.358	0.630	-	UNF5/16-24 1/4L	1
AH004C		BT40 AD/B - EMH 3/8C - 2.48	0.375	1.000	-	2.480	1.417	0.630	-	UNF3/8-24 5/16L	1
AH006C		BT40 AD/B - EMH 1/2C - 2.48	0.500	1.250	-	2.480	1.693	0.787	-	UNF7/16-20 3/8L	1
AH008C		BT40 AD/B - EMH 5/8C - 2.48	0.625	1.500	-	2.480	3.600	0.882	-	UNF1/2-20 1/2L	1
AH010C		BT40 AD/B - EMH 3/4C - 2.48	0.750	1.750	-	2.480	3.900	0.909	-	UNF5/8-18 1/2L	1
AH012C		BT40 AD/B - EMH 1C - 3.54	1.000	2.000	-	3.543	4.400	0.831	0.902	UNF3/4-16 1/2L	2
AH014C		BT40 AD/B - EMH 1 1/4C - 3.94	1.250	2.500	2.461	3.937	4.000	0.831	0.902	UNF3/4-16 11/16L	2

* High balanced End Mill Holders are available on request.

HIGH BALANCED END MILL HOLDER

BT



FIG.1

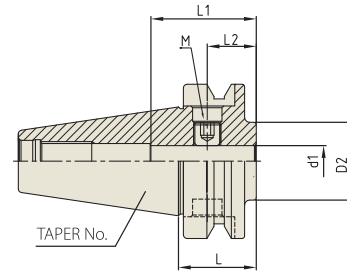
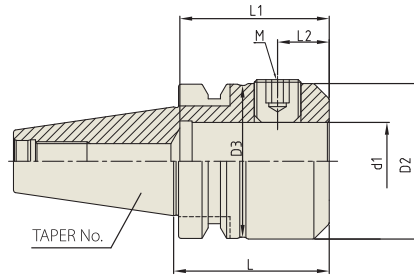



FIG.2



JIS B6339/MAS 403-BT

 Set screws
Refer to page 124



• STUB

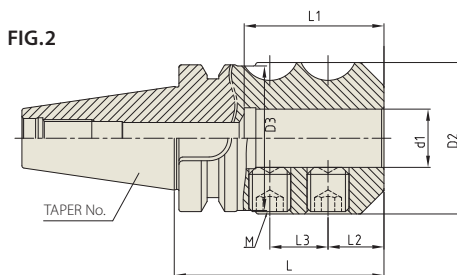
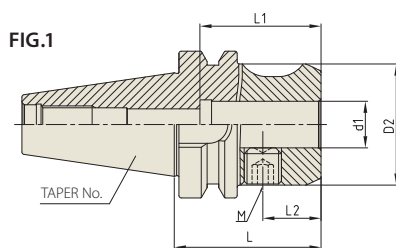
Unit : inch

EDP No.	TAPER No.	MODEL No.	d1	D2	D3	L	L1	L2	M	FIG.
AH206B25	40	BT40 - EMH 1/2 - 1.25	0.500	1.250	-	1.250	1.693	0.787	UNF7/16-20 3/8L	1
AH208B25		BT40 - EMH 5/8 - 1.38	0.625	1.500	-	1.380	2.400	0.866	UNF1/2-20 1/2L	1
AH210B25		BT40 - EMH 3/4 - 1.44	0.750	1.750	-	1.440	2.500	0.909	UNF5/8-18 1/2L	1
AH214B25		BT40 - EMH 1.0 - 2.50	1.000	2.000	-	2.500	2.500	0.831	UNF3/4-16 1/2L	2
AH217B25		BT40 - EMH 1 1/4 - 2.50	1.250	2.500	2.441	2.500	2.500	0.831	UNF3/4-16 11/16L	2

Hydraulic Chuck
Shrink Fit Holder
End Mill Holder & Side Lock Arbor
ER Collet Chuck
SKS Slim Chuck
TG Collet Chuck
Power Milling Chuck
Morse Taper Adapter
Tapping Chuck
One Step Tapping Chuck
Shell Mill Arbor
NC Drill Chuck
Jacobs Taper Arbor
Stub Arbor
Slitting Saw Arbor
Pull Stud & Tool Clamp

HIGH BALANCED END MILL HOLDER

BT



JIS B6339/MAS 403-BT

Set screws
Refer to page 124



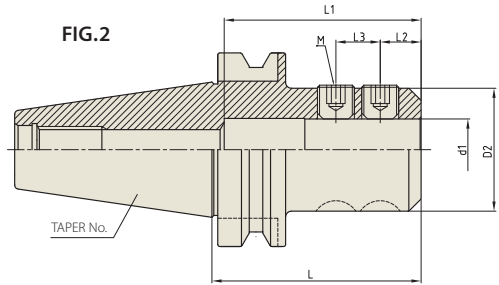
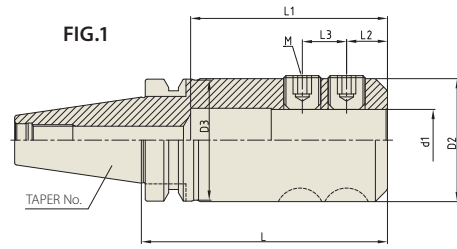
• STANDARD

Unit : inch


EDP No.	TAPER No.	MODEL No.	d1	D2	D3	L	L1	L2	L3	M	FIG.
AH000B25	40	BT40 - EMH 1/8 - 2.50	0.125	0.690	-	2.500	.591	0.295	-	UNC#8-32 1/4L	1
AH001B25		BT40 - EMH 3/16 - 2.50	0.187	0.690	-	2.500	.787	0.441	-	UNC#10-32 1/4L	1
AH002B25		BT40 - EMH 1/4 - 2.50	0.250	0.780	-	2.500	1.299	0.598	-	UNF1/4-28 1/4L	1
AH003B25		BT40 - EMH 5/16 - 2.50	0.312	0.880	-	2.500	1.358	0.630	-	UNF5/16-24 1/4L	1
AH004B25		BT40 - EMH 3/8 - 2.50	0.375	1.000	-	2.500	1.417	0.630	-	UNF3/8-24 5/16L	1
AH005B25		BT40 - EMH 7/16 - 2.50	0.437	1.130	-	2.500	1.417	0.630	-	UNF3/8-24 25/64L	1
AH006B25		BT40 - EMH 1/2 - 2.50	0.500	1.250	-	2.500	1.693	0.787	-	UNF7/16-20 3/8L	1
AH008B25		BT40 - EMH 5/8 - 2.50	0.625	1.500	-	2.500	3.600	0.881	-	UNF1/2-20 1/2L	1
AH010B25		BT40 - EMH 3/4 - 2.50	0.750	1.750	-	2.500	3.900	0.909	-	UNF5/8-18 1/2L	1
AH012B25		BT40 - EMH 7/8 - 3.50	0.875	1.880	-	3.500	4.200	0.650	0.811	UNF5/8-18 1/2L	2
AH014B25		BT40 - EMH 1.0 - 3.75	1.000	2.000	-	3.750	4.400	0.831	0.902	UNF3/4-16 1/2L	2
AH017B25		BT40 - EMH 1 1/4 - 3.75	1.250	2.500	2.461	3.750	4.000	0.831	0.902	UNF3/4-16 11/16L	2
AH021B25		BT40 - EMH 1 1/2 - 4.25	1.500	2.500	2.461	4.250	3.978	0.881	1.063	UNF3/4-16 1/2L	2
AI002B25		50	BT50 - EMH 1/4 - 3.00	0.250	0.780	-	3.000	1.299	0.598	-	UNF1/4-28 1/4L
AI004B25	BT50 - EMH 3/8 - 3.00		0.375	1.000	-	3.000	1.417	0.630	-	UNF3/8-24 5/16L	1
AI006B25	BT50 - EMH 1/2 - 3.00		0.500	1.250	-	3.000	1.693	0.787	-	UNF7/16-20 3/8L	1
AI008B25	BT50 - EMH 5/8 - 3.00		0.625	1.500	-	3.000	1.929	0.882	-	UNF1/2-20 1/2L	1
AI010B25	BT50 - EMH 3/4 - 3.00		0.750	1.750	-	3.000	2.047	0.909	-	UNF5/8-18 1/2L	1
AI012B25	BT50 - EMH 7/8 - 4.00		0.875	1.880	-	4.000	4.200	0.650	-	UNF5/8-18 1/2L	1
AI014B25	BT50 - EMH 1.0 - 4.25		1.000	2.000	-	4.250	4.636	0.831	0.902	UNF3/4-16 1/2L	2
AI017B25	BT50 - EMH 1 1/4 - 4.25		1.250	2.500	-	4.250	4.000	0.831	0.902	UNF3/4-16 11/16L	2
AI021B25	BT50 - EMH 1 1/2 - 4.25		1.500	2.500	-	4.250	3.976	0.882	1.063	UNF3/4-16 1/2L	2
AI029B25	BT50 - EMH 2.0 - 5.00		2.000	3.750	-	5.000	5.000	1.299	1.538	UNS1-14 7/8L	2

HIGH BALANCED END MILL HOLDER

BT



JIS B6339/MAS 403-BT

 Set screws
Refer to page 124



• EXTENDED

Unit : inch

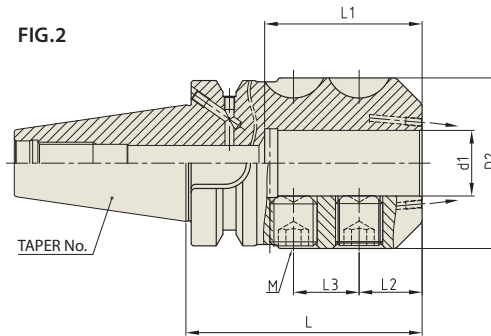
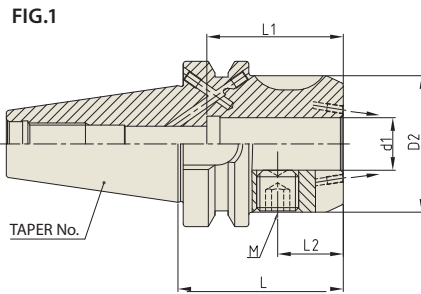
EDP No.	TAPER No.	MODEL No.	d1	D2	D3	L	L1	L2	L3	M	FIG.
AH104B25	40	BT40 - EMH 3/8 - 4.00	0.375	1.000	-	4.000	1.417	0.630	-	UNF3/8-24 5/16L	1
AH106B25		BT40 - EMH 1/2 - 4.00	0.500	1.250	-	4.000	1.693	0.787	-	UNF7/16-20 3/8L	1
AH108B25		BT40 - EMH 5/8 - 4.00	0.625	1.500	-	4.000	3.600	0.881	-	UNF1/2-20 1/2L	1
AH110B25		BT40 - EMH 3/4 - 4.00	0.750	1.750	-	4.000	3.900	0.909	-	UNF5/8-18 1/2L	1
AH114B25		BT40 - EMH 1.0 - 5.00	1.000	2.000	-	5.000	4.400	0.831	0.902	UNF3/4-16 1/2L	2
AH117B25		BT40 - EMH 1 1/4 - 5.00	1.250	2.500	2.461	5.000	4.000	0.831	0.902	UNF3/4-16 11/16L	2
AH121B25		BT40 - EMH 1 1/2 - 6.00	1.500	2.500	2.461	6.000	3.978	0.881	1.063	UNF3/4-16 1/2L	2
AI104B25		50	BT50 - EMH 3/8 - 6.00	0.375	1.000	-	6.000	1.417	0.630	-	UNF3/8-24 5/16L
AI106B25	BT50 - EMH 1/2 - 6.00		0.500	1.250	-	6.000	1.693	0.787	-	UNF7/16-20 3/8L	1
AI108B25	BT50 - EMH 5/8 - 6.00		0.625	1.500	-	6.000	1.929	0.882	-	UNF1/2-20 1/2L	1
AI110B25	BT50 - EMH 3/4 - 6.00		0.750	1.750	-	6.000	2.047	0.909	-	UNF5/8-18 1/2L	1
AI112B25	BT50 - EMH 7/8 - 6.00		0.875	1.880	-	6.000	4.200	0.650	-	UNF5/8-18 1/2L	1
AI114B25	BT50 - EMH 1.0 - 6.00		1.000	2.000	-	6.000	4.636	0.831	0.902	UNF3/4-16 1/2L	2
AI117B25	BT50 - EMH 1 1/4 - 6.00		1.250	2.500	-	6.000	4.000	0.831	0.902	UNF3/4-16 11/16L	2
AI121B25	BT50 - EMH 1 1/2 - 6.00		1.500	2.500	-	6.000	3.976	0.882	1.063	UNF3/4-16 1/2L	2
AI129B25	BT50 - EMH 2.0 - 6.00		2.000	3.750	-	6.000	5.000	1.299	1.358	UNS1-14 7/8L	2

Hydraulic Chuck
Shrink Fit Holder
End Mill Holder & Side Lock Arbor
ER Collet Chuck
SK Slim Chuck
TG Collet Chuck
Power Milling Chuck
Morse Taper Adapter
Tapping Chuck
One Step Tapping Chuck
Shell Mill Arbor
NC Drill Chuck
Jacobs Taper Arbor
Stub Arbor
Slitting Saw Arbor
Pull Stud & Tool Clamp

END MILL HOLDER

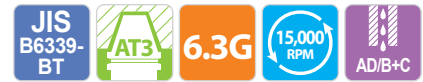
BT

COOLANT CHANNEL TYPE



JIS B6339/MAS 403-BT

Set screws
Refer to page 124



Unit : mm

EDP No.	TAPER No.	MODEL No.	d1	D2	L	L1	L2	L3	M	FIG.	WEIGHT (Kg)
AH311B15C	40	BT40 AD/B - EMH 6C - 50	6	25	50	35	18	-	M6	1	1.00
AH312B15C		BT40 AD/B - EMH 8C - 50	8	28	50	35	18	-	M8	1	1.00
AH313B15C		BT40 AD/B - EMH 10C - 63	10	35	63	39	20	-	M10	1	1.10
AH314B15C		BT40 AD/B - EMH 12C - 63	12	42	63	44	22.5	-	M12	1	1.30
AH315B15C		BT40 AD/B - EMH 14C - 63	14	44	63	49	22.5	-	M12	1	1.40
AH316B15C		BT40 AD/B - EMH 16C - 63	16	48	63	52	24	-	M14	1	1.70
AH317B15C		BT40 AD/B - EMH 18C - 63	18	50	63	50	24	-	M14	1	1.70
AH318B15C		BT40 AD/B - EMH 20C - 63	20	52	63	52	25	-	M16	1	1.80
AH319B15C		BT40 AD/B - EMH 25C - 90	25	65	90	60	24	25	M18	2	1.80
AH320B15C		BT40 AD/B - EMH 32C - 100	32	72	100	64	24	28	M20	2	2.00
AI311B15C	50	BT50 AD/B - EMH 6C - 63	6	25	63	35	18	-	M6	1	3.30
AI312B15C		BT50 AD/B - EMH 8C - 63	8	28	63	35	18	-	M8	1	3.60
AI313B15C		BT50 AD/B - EMH 10C - 65	10	35	65	39	20	-	M10	1	3.80
AI314B15C		BT50 AD/B - EMH 12C - 80	12	42	80	46	22.5	-	M12	1	3.80
AI315B15C		BT40 AD/B - EMH 14C - 80	14	44	80	46	22.5	-	M12	1	4.00
AI316B15C		BT50 AD/B - EMH 16C - 80	16	48	80	49	24	-	M14	1	4.00
AI317B15C		BT50 AD/B - EMH 18C - 80	18	50	80	49	24	-	M14	1	4.20
AI318B15C		BT50 AD/B - EMH 20C - 80	20	52	80	52	25	-	M16	1	4.20
AI319B15C		BT50 AD/B - EMH 25C - 100	25	65	100	60	24	25	M18	2	4.60
AI320B15C		BT50 AD/B - EMH 32C - 105	32	72	105	64	24	28	M20	2	4.70
AI321B15C	BT50 AD/B - EMH 40C - 120	40	80	120	74	30	32	M20	2	4.90	

HIGH BALANCED END MILL HOLDER

BT

COOLANT CHANNEL TYPE

FIG.1

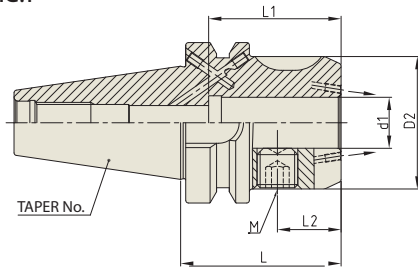
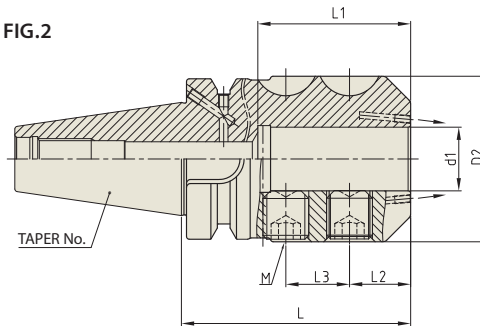


FIG.2



JIS B6339/MAS 403-BT

Set screws
Refer to page 124



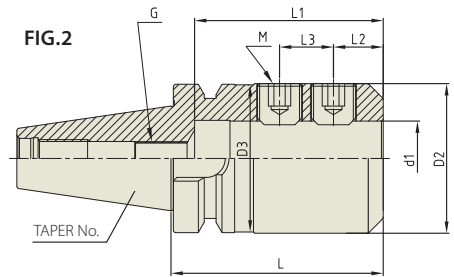
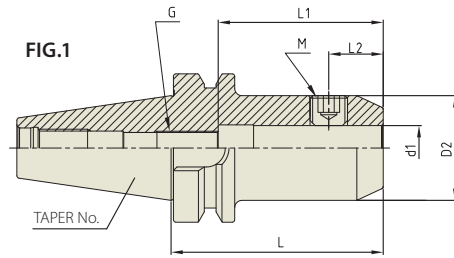
Unit : mm

EDP No.	TAPER No.	MODEL No.	d1	D2	L	L1	L2	L3	M	FIG.	WEIGHT (Kg)
AH311B25C	40	BT40 AD/B - EMH 6C - 50	6	25	50	35	18	-	M6	1	1.00
AH312B25C		BT40 AD/B - EMH 8C - 50	8	28	50	35	18	-	M8	1	1.00
AH313B25C		BT40 AD/B - EMH 10C - 63	10	35	63	39	20	-	M10	1	1.10
AH314B25C		BT40 AD/B - EMH 12C - 63	12	42	63	44	22.5	-	M12	1	1.30
AH315B25C		BT40 AD/B - EMH 14C - 63	14	44	63	49	22.5	-	M12	1	1.40
AH316B25C		BT40 AD/B - EMH 16C - 63	16	48	63	52	24	-	M14	1	1.70
AH317B25C		BT40 AD/B - EMH 18C - 63	18	50	63	50	24	-	M14	1	1.70
AH318B25C		BT40 AD/B - EMH 20C - 63	20	52	63	52	25	-	M16	1	1.80
AH319B25C		BT40 AD/B - EMH 25C - 90	25	65	90	60	24	25	M18	2	1.80
AH320B25C		BT40 AD/B - EMH 32C - 100	32	72	100	64	24	28	M20	2	2.00
AI311B25C	50	BT50 AD/B - EMH 6C - 63	6	25	63	35	18	-	M6	1	3.30
AI312B25C		BT50 AD/B - EMH 8C - 63	8	28	63	35	18	-	M8	1	3.60
AI313B25C		BT50 AD/B - EMH 10C - 65	10	35	65	39	20	-	M10	1	3.80
AI314B25C		BT50 AD/B - EMH 12C - 80	12	42	80	46	22.5	-	M12	1	3.80
AI315B25C		BT40 AD/B - EMH 14C - 80	14	44	80	46	22.5	-	M12	1	4.00
AI316B25C		BT50 AD/B - EMH 16C - 80	16	48	80	49	24	-	M14	1	4.00
AI317B25C		BT50 AD/B - EMH 18C - 80	18	50	80	49	24	-	M14	1	4.20
AI318B25C		BT50 AD/B - EMH 20C - 80	20	52	80	52	25	-	M16	1	4.20
AI319B25C		BT50 AD/B - EMH 25C - 100	25	65	100	60	24	25	M18	2	4.60
AI320B25C		BT50 AD/B - EMH 32C - 105	32	72	105	64	24	28	M20	2	4.70
AI321B25C	BT50 AD/B - EMH 40C - 120	40	80	120	74	30	32	M20	2	4.90	

Hydraulic Chuck
Shrink Fit Holder
End Mill Holder & Side Lock Arbor
ER Collet Chuck
SK Slim Chuck
TG Collet Chuck
Power Milling Chuck
Morse Taper Adapter
Tapping Chuck
One Step Tapping Chuck
Shell Mill Arbor
NC Drill Chuck
Jacobs Taper Arbor
Stub Arbor
Slitting Saw Arbor
Pull Stud & Tool Clamp

DUAL CONTACT SIDE LOCK ARBOR

CBT



CBT (BT DUAL CONTACT)

Set screws
Refer to page 124



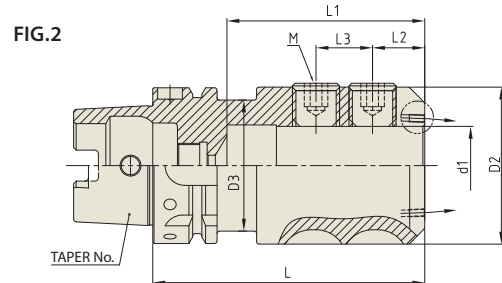
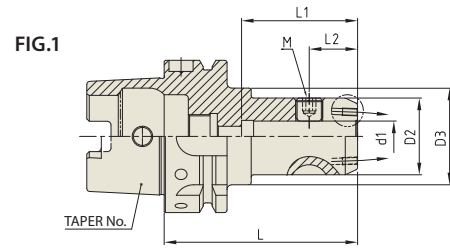
Unit : inch

EDP No.	TAPER No.	MODEL No.	d1	D2	D3	L	L1	L2	L3	M	G	FIG.
AD020	30	CBT30 - SLA 1/4 - 2.36	0.250	0.780	-	2.362	1.378	0.598	-	UNF1/4-28 1/4L	UNF#10-32 3/4L	1
AD022		CBT30 - SLA 5/16 - 2.36	0.313	0.880	-	2.362	1.378	0.630	-	UNF5/16-24 1/4L	UNF1/4-28 3/4L	1
AD024		CBT30 - SLA 3/8 - 2.36	0.375	1.000	-	2.362	1.969	0.630	-	UNF3/8-24 5/16L	UNF5/16-24 3/4L	1
AD026		CBT30 - SLA 1/2 - 2.36	0.500	1.250	-	2.362	2.165	0.787	-	UNF7/16-20 3/8L	UNF7/16-16 1.0L	1
AD028		CBT30 - SLA 5/8 - 2.95	0.625	1.500	-	2.953	2.756	0.882	-	UNF1/2-20 1/2L	UN9/16-16 1.0L	1
AD030		CBT30 - SLA 3/4 - 2.95	0.750	1.750	-	2.953	2.756	0.909	-	UNF5/8-18 1/2L	UN9/16-16 1.0L	1
AD032		CBT30 - SLA 1.0 - 2.95	1.000	2.000	1.772	2.953	2.756	0.831	0.902	UNF3/4-16 1/2L	UN9/16-16 1.0L	2
AE020		40	CBT40 - SLA 1/4 - 2.36	0.250	0.780	-	2.362	1.378	0.598	-	UNF1/4-28 1/4L	UNF#10-32 3/4L
AE022	CBT40 - SLA 5/16 - 2.36		0.313	0.880	-	2.362	1.378	0.630	-	UNF5/16-24 1/4L	UNF1/4-28 3/4L	1
AE024	CBT40 - SLA 3/8 - 2.36		0.375	1.000	-	2.362	1.969	0.630	-	UNF3/8-24 5/16L	UNF5/16-24 3/4L	1
AE026	CBT40 - SLA 1/2 - 2.36		0.500	1.250	-	2.362	2.165	0.787	-	UNF7/16-20 3/8L	UNF7/16-16 1.0L	1
AE028	CBT40 - SLA 5/8 - 3.54		0.625	1.500	-	3.543	2.756	0.882	-	UNF1/2-20 1/2L	UN9/16-16 1.0L	1
AE030	CBT40 - SLA 3/4 - 3.54		0.750	1.750	-	3.543	2.756	0.909	-	UNF5/8-18 1/2L	UN9/16-16 1.0L	1
AE032	CBT40 - SLA 1.0 - 3.54		1.000	2.000	-	3.543	2.756	0.831	0.902	UNF3/4-16 1/2L	UN9/16-16 1.0L	2
AE034	CBT40 - SLA 1 1/4 - 3.54		1.250	2.500	-	3.543	3.150	0.831	0.902	UNF3/4-16 1/2L	UN9/16-16 1.0L	2

DUAL CONTACT END MILL HOLDER

HSK

COOLANT CHANNEL TYPE



**DIN 69893/
ISO 12164-1-HSK FORM A**

Set screws
Refer to page 124

**DIN
69893-
HSK**

2.5G

**25,000
RPM**

AD+C

Unit : inch

EDP No.	TAPER No.	MODEL No.	d1	D2	D3	L	L1	L2	L3	M	FIG.
AQ020C	63A	HSK63A - EMH 1/4C - 2.56	0.250	0.780	1.181	2.559	1.299	0.598	-	UNF1/4-28 1/4L	1
AQ022C		HSK63A - EMH 5/16C - 2.56	0.313	0.880	1.181	2.559	1.358	0.630	-	UNF5/16-24 1/4L	1
AQ024C		HSK63A - EMH 3/8C - 2.56	0.375	1.000	1.181	2.559	1.535	0.630	-	UNF3/8-24 5/16L	1
AQ026C		HSK63A - EMH 1/2C - 3.15	0.500	1.250	1.181	3.150	1.889	0.787	-	UNF7/16-20 3/8L	1
AQ028C		HSK63A - EMH 5/8C - 3.15	0.625	1.500	1.811	3.150	2.126	0.882	-	UNF1/2-20 1/2L	1
AQ030C		HSK63A - EMH 3/4C - 3.15	0.750	1.750	-	3.150	2.165	0.909	-	UNF5/8-18 1/2L	1
AQ032C		HSK63A - EMH 1.0C - 4.33	1.000	2.000	-	4.331	3.150	0.837	0.902	UNF3/4-16 1/2L	2
AQ034C		HSK63A - EMH 1 1/4C - 4.33	1.250	2.500	2.087	4.331	3.150	0.837	0.902	UNF3/4-16 11/16L	2
AR020C		100A	HSK100A - EMH 1/4C - 3.15	0.250	0.780	1.575	3.150	1.299	0.598	-	UNF1/4-28 1/4L
AR022C	HSK100A - EMH 5/16C - 3.15		0.313	0.880	1.575	3.150	1.358	0.630	-	UNF5/16-24 1/4L	1
AR024C	HSK100A - EMH 3/8C - 3.15		0.375	1.000	1.575	3.150	1.417	0.630	-	UNF3/8-24 5/16L	1
AR026C	HSK100A - EMH 1/2C - 3.15		0.500	1.250	1.575	3.150	1.890	0.787	-	UNF7/16-20 3/8L	1
AR028C	HSK100A - EMH 5/8C - 3.94		0.625	1.500	1.811	3.937	2.520	0.882	-	UNF1/2-20 1/2L	1
AR030C	HSK100A - EMH 3/4C - 3.94		0.750	1.750	-	3.937	2.559	0.909	-	UNF5/8-18 1/2L	1
AR032C	HSK100A - EMH 1.0C - 3.94		1.000	2.000	-	3.937	2.677	0.837	0.902	UNF3/4-16 1/2L	2
AR034C	HSK100A - EMH 1 1/4C - 3.94		1.250	2.500	-	3.937	2.677	0.837	0.902	UNF3/4-16 11/16L	2

Hydraulic Chuck
Shrink Fit Holder
End Mill Holder & Side Lock Arbor
ER Collet Chuck
SK Slim Chuck
TG Collet Chuck
Power Milling Chuck
Morse Taper Adapter
Tapping Chuck
One Step Tapping Chuck
Shell Mill Arbor
NC Drill Chuck
Jacobs Taper Arbor
Stub Arbor
Slitting Saw Arbor
Pull Stud & Tool Clamp

END MILL HOLDER

HSK

COOLANT CHANNEL TYPE

FIG.1

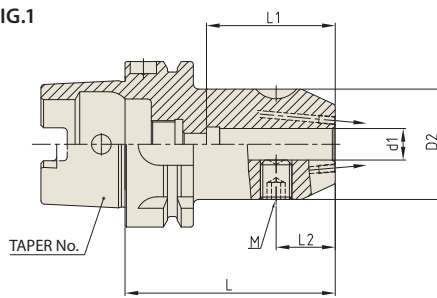
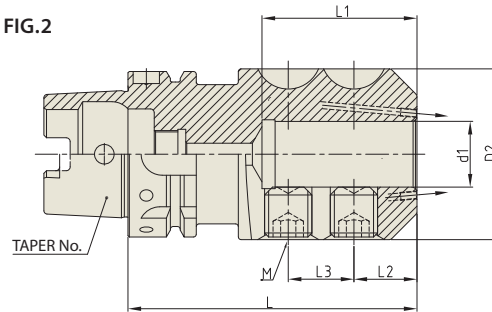


FIG.2



DIN69893/ ISO12164-1 HSK FORM A

Set screws
Refer to page 124



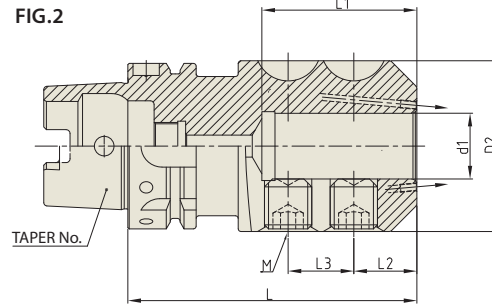
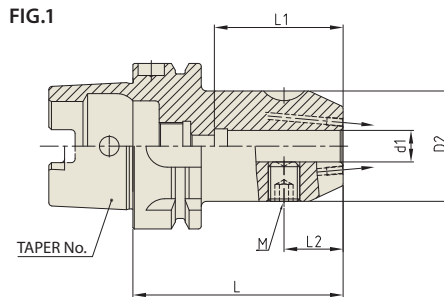
Unit : mm

EDP No.	TAPER No.	MODEL No.	d1	D2	L	L1	L2	L3	M	FIG.	WEIGHT (Kg)
AP001B15C	40A	HSK40A - EMH 6C - 60	6	25	60	38	18	-	M6	1	0.30
AP002B15C		HSK40A - EMH 8C - 60	8	28	60	38	18	-	M8	1	0.30
AP003B15C		HSK40A - EMH 10C - 60	10	35	60	42	20	-	M10	1	0.30
AP004B15C		HSK40A - EMH 12C - 70	12	42	70	47	22.5	-	M12	1	0.40
AP005B15C		HSK40A - EMH 14C - 70	14	44	70	47	22.5	-	M12	1	0.40
AP006B15C		HSK40A - EMH 16C - 80	16	48	80	50	24	-	M14	1	0.60
AP007B15C	50A	HSK50A - EMH 6C - 65	6	25	65	38	18	-	M6	1	0.70
AP008B15C		HSK50A - EMH 8C - 65	8	28	65	38	18	-	M8	1	0.80
AP009B15C		HSK50A - EMH 10C - 65	10	35	65	42	20	-	M10	1	0.80
AP010B15C		HSK50A - EMH 12C - 80	12	42	80	47	22.5	-	M12	1	1.20
AP011B15C		HSK50A - EMH 14C - 80	14	44	80	47	22.5	-	M12	1	1.30
AP012B15C		HSK50A - EMH 16C - 80	16	48	80	50	24	-	M14	1	1.30
AP013B15C		HSK50A - EMH 18C - 80	18	50	80	50	24	-	M14	1	1.40
AP014B15C		HSK50A - EMH 20C - 80	20	52	80	52	25	-	M16	1	1.50
AQ101B15C	63A	HSK63A - EMH 6C - 65	6	25	65	35	18	-	M6	1	0.80
AQ102B15C		HSK63A - EMH 8C - 65	8	28	65	40	18	-	M8	1	0.80
AQ103B15C		HSK63A - EMH 10C - 65	10	35	65	40.5	20	-	M10	1	0.90
AQ104B15C		HSK63A - EMH 12C - 80	12	42	80	49	22.5	-	M12	1	1.10
AQ105B15C		HSK63A - EMH 14C - 80	14	44	80	49	22.5	-	M12	1	1.20
AQ106B15C		HSK63A - EMH 16C - 80	16	48	80	52	24	-	M14	1	1.30
AQ107B15C		HSK63A - EMH 18C - 80	18	50	80	52	24	-	M14	1	1.40
AQ108B15C		HSK63A - EMH 20C - 80	20	52	80	53	25	-	M16	1	1.50
AQ109B15C		HSK63A - EMH 25C - 110	25	65	110	59	24	25	M18	2	2.30
AQ110B15C		HSK63A - EMH 32C - 110	32	72	110	63	24	28	M20	2	2.60
AR101B15C	100A	HSK100A - EMH 6C - 80	6	25	80	35	18	-	M6	1	0.80
AR102B15C		HSK100A - EMH 8C - 80	8	28	80	35	18	-	M8	1	0.80
AR103B15C		HSK100A - EMH 10C - 80	10	35	80	35.5	20	-	M10	1	0.90
AR104B15C		HSK100A - EMH 12C - 80	12	42	80	49	22.5	-	M12	1	1.10
AR105B15C		HSK100A - EMH 14C - 80	14	44	80	49	22.5	-	M12	1	1.20
AR106B15C		HSK100A - EMH 16C - 100	16	48	100	52	24	-	M14	1	1.30
AR107B15C		HSK100A - EMH 18C - 100	18	50	100	52	24	-	M14	1	1.40
AR108B15C		HSK100A - EMH 20C - 100	20	52	100	53	25	-	M16	1	1.50
AR109B15C		HSK100A - EMH 25C - 100	25	65	100	59	24	25	M18	2	2.30
AR110B15C		HSK100A - EMH 32C - 100	32	72	100	63	24	28	M20	2	2.60
AR111B15C		HSK100A - EMH 40C - 120	40	80	120	73	30	32	M20	2	2.60

HIGH BALANCED END MILL HOLDER

HSK

COOLANT CHANNEL TYPE



**DIN69893/
ISO12164-1 HSK FORM A**

Set screws
Refer to page 124



Unit : mm

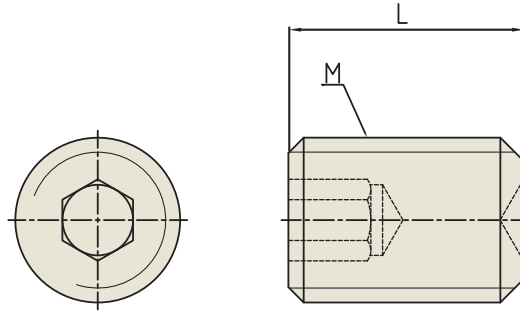
EDP No.	TAPER No.	MODEL No.	d1	D2	L	L1	L2	L3	M	FIG.	WEIGHT (Kg)
AP001B25C	40A	HSK40A - EMH 6C - 60	6	25	60	38	18	-	M6	1	0.30
AP002B25C		HSK40A - EMH 8C - 60	8	28	60	38	18	-	M8	1	0.30
AP003B25C		HSK40A - EMH 10C - 60	10	35	60	42	20	-	M10	1	0.30
AP004B25C		HSK40A - EMH 12C - 70	12	42	70	47	22.5	-	M12	1	0.40
AP005B25C		HSK40A - EMH 14C - 70	14	44	70	47	22.5	-	M12	1	0.40
AP006B25C		HSK40A - EMH 16C - 80	16	48	80	50	24	-	M14	1	0.60
AP007B25C	50A	HSK50A - EMH 6C - 65	6	25	65	38	18	-	M6	1	0.70
AP008B25C		HSK50A - EMH 8C - 65	8	28	65	38	18	-	M8	1	0.80
AP009B25C		HSK50A - EMH 10C - 65	10	35	65	42	20	-	M10	1	0.80
AP010B25C		HSK50A - EMH 12C - 80	12	42	80	47	22.5	-	M12	1	1.20
AP011B25C		HSK50A - EMH 14C - 80	14	44	80	47	22.5	-	M12	1	1.30
AP012B25C		HSK50A - EMH 16C - 80	16	48	80	50	24	-	M14	1	1.30
AP013B25C		HSK50A - EMH 18C - 80	18	50	80	50	24	-	M14	1	1.40
AP014B25C		HSK50A - EMH 20C - 80	20	52	80	52	25	-	M16	1	1.50
AQ101B25C	63A	HSK63A - EMH 6C - 65	6	25	65	35	18	-	M6	1	0.80
AQ102B25C		HSK63A - EMH 8C - 65	8	28	65	38	18	-	M8	1	0.80
AQ103B25C		HSK63A - EMH 10C - 65	10	35	65	42	20	-	M10	1	0.90
AQ104B25C		HSK63A - EMH 12C - 80	12	42	80	47	22.5	-	M12	1	1.10
AQ105B25C		HSK63A - EMH 14C - 80	14	44	80	47	22.5	-	M12	1	1.20
AQ106B25C		HSK63A - EMH 16C - 80	16	48	80	50	24	-	M14	1	1.30
AQ107B25C		HSK63A - EMH 18C - 80	18	50	80	50	24	-	M14	1	1.40
AQ108B25C		HSK63A - EMH 20C - 80	20	52	80	52	25	-	M16	1	1.50
AQ109B25C		HSK63A - EMH 25C - 110	25	65	110	60	24	25	M18	2	2.30
AQ110B25C		HSK63A - EMH 32C - 110	32	72	110	64	24	28	M20	2	2.60
AR101B25C	100A	HSK100A - EMH 6C - 80	6	25	80	35	18	-	M6	1	0.80
AR102B25C		HSK100A - EMH 8C - 80	8	28	80	35	18	-	M8	1	0.80
AR103B25C		HSK100A - EMH 10C - 80	10	35	80	35.5	20	-	M10	1	0.90
AR104B25C		HSK100A - EMH 12C - 80	12	42	80	49	22.5	-	M12	1	1.10
AR105B25C		HSK100A - EMH 14C - 80	14	44	80	49	22.5	-	M12	1	1.20
AR106B25C		HSK100A - EMH 16C - 100	16	48	100	52	24	-	M14	1	1.30
AR107B25C		HSK100A - EMH 18C - 100	18	50	100	52	24	-	M14	1	1.40
AR108B25C		HSK100A - EMH 20C - 100	20	52	100	53	25	-	M16	1	1.50
AR109B25C		HSK100A - EMH 25C - 100	25	65	100	59	24	25	M18	2	2.30
AR110B25C		HSK100A - EMH 32C - 100	32	72	100	63	24	28	M20	2	2.60
AR111B25C		HSK100A - EMH 40C - 120	40	80	120	73	30	32	M20	2	2.60

Hydraulic Chuck
Shrink Fit Holder
End Mill Holder & Side Lock Arbor
ER Collet Chuck
SK Slim Chuck
TG Collet Chuck
Power Milling Chuck
Morse Taper Adapter
Tapping Chuck
One Step Tapping Chuck
Shell Mill Arbor
NC Drill Chuck
Jacobs Taper Arbor
Stub Arbor
Slitting Saw Arbor
Pull Stud & Tool Clamp

SIDE LOCK BOLT

PART

For END MILL HOLDER & SIDE LOCK ARBOR



Unit : inch

EMH & SLA ID	EMH			SLA		
	M	L	EDP No.	M	L	EDP No.
1/8	UNC#8-32	1/4 (0.25)	ZZ000	-	-	-
3/16	UNC#10-32	1/4 (0.25)	ZZ001	-	-	-
1/4	UNF1/4-28	1/4 (0.25)	ZZ002	UNF1/4-28	1/4 (0.25)	ZZ002
5/16	UNF5/16-24	1/4 (0.25)	ZZ003	UNF5/16-24	1/4 (0.25)	ZZ003
3/8	UNF3/8-24	5/16 (0.313)	ZZ004	UNF3/8-24	5/16 (0.313)	ZZ004
7/16	UNF3/8-24	25/64 (0.391)	ZZ005	-	-	-
1/2	UNF7/16-20	3/8 (0.375)	ZZ006	UNF7/16-20	3/8 (0.375)	ZZ006
5/8	UNF1/2-20	1/2 (0.5)	ZZ007	UNF1/2-20	1/2 (0.5)	ZZ007
3/4	UNF5/8-18	1/2 (0.5)	ZZ008	-	-	-
7/8	UNF5/8-18	1/2 (0.5)	ZZ009	UNF5/8-18	1/2 (0.5)	ZZ009
1	UNF3/4-16	1/2 (0.5)	ZZ010	UNF3/4-16	1/2 (0.5)	ZZ010
1 1/4	UNF3/4-16	11/16 (0.688)	ZZ011	UNF3/4-16	11/16 (0.688)	ZZ011
1 1/2	UNF3/4-16	1/2 (0.5)	ZZ012	-	-	-
2	UNS1-14	7/8 (0.875)	ZZ013	-	-	-

Unit : mm

EMH & SLA ID	EMH			SLA		
	M	L	EDP No.	M	L	EDP No.
6	M6x1.0	10.5	P2778088	M5x0.8	8	P2778079
8	M8x1.25	10.5	P2778089	M6x1.0	10	P2778080
10	M10x1.5	12.5	P2778090	M8x1.25	12	P2778081
12	M12x1.75	16.5	P2778091	M10x1.5	14	P2778082
14	M12x1.75	15.0	P2778092	M10x1.5	14	P2778082
16	M14x2.0	16.5	P2778093	M12x1.75	12	P2778083
18	M14x2.0	16.5	P2778093	-	-	-
20	M16 x2.0	16.5	P2778094	M12x1.75	16	P2778084
25	M18x2.0	20.5	P2778095	M14x2.0	14	P2778085
32	M20x2.0	20.5	P2778096	M16 x2.0	16	P2778086
40	M20x2.0	20.5	P2778096	M16 x2.0	16	P2778086
42	-	-	-	M16 x2.0	16	P2778086
50	M24x2.0	25.5	P2778098	-	-	-
50.8	-	-	-	M20x2.0	25	P2778087



ROTARY TOOLING

ER COLLET CHUCK

STUB, STANDARD, EXTENDED, EXTRA EXTENDED
SHORT, FOR TAPPING, FOR CNC LATHE

CAT : ASME B5.50-2009

BT : JIS B6339/MAS 403-BT/ISO7388-2

HSK : DIN69893/ISO12164-1

SHORT, STRAIGHT-K

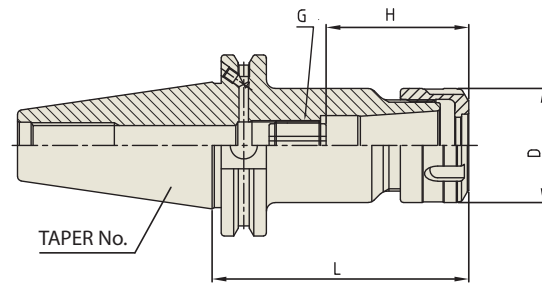
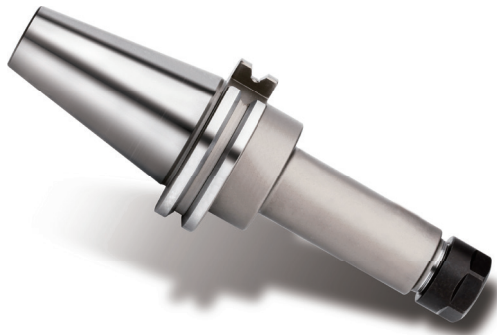
NC-ER

ER COLLET, ER NUT, WRENCH, STOP SCREW



ER COLLET CHUCK

CAT



ASME B5.50-2009-CAT

ER Collet
Refer to page 134-144



• STUB

Unit : inch

EDP No.	TAPER No.	MODEL No.	CLAMPING RANGE	D	L	H		G	COLLET SERIES
						Min.	Max.		
BH232B	40	CAT40 AD/B - ER 20 - 2.55	0.039 - 0.511	1.339	2.55	1.220	2.315	UN9/16-16 1/2L	ER20
BH233B		CAT40 AD/B - ER 25 - 2.50	0.039 - 0.629	1.654	2.50	1.339	2.335	UN11/16-16 1/2L	ER25
BH234B		CAT40 AD/B - ER 32 - 2.70	0.078 - 0.787	1.969	2.70	1.575	3.555	UN7/8-16 1/2L	ER32

• STANDARD

Unit : inch

EDP No.	TAPER No.	MODEL No.	CLAMPING RANGE	D	L	H		G	COLLET SERIES
						Min.	Max.		
BK030B	40	CAT40 AD/B - ER 11 - 3.00	0.019 - 0.275	0.748	3.00	0.654	1.177	UN5/16-18 1/2L	ER11
BK031B		CAT40 AD/B - ER 16 - 3.00	0.019 - 0.393	1.102	3.00	1.008	2.240	UN7/16-18 1/2L	ER16
BK032B		CAT40 AD/B - ER 20 - 4.00	0.039 - 0.511	1.339	4.00	1.220	2.315	UN9/16-16 1/2L	ER20
BK133B		CAT40 AD/B - ER 25 - 4.00	0.039 - 0.629	1.654	4.00	1.339	2.335	UN11/16-16 1/2L	ER25
BK134B		CAT40 AD/B - ER 32 - 4.00	0.078 - 0.787	1.969	4.00	1.575	3.555	UN7/8-16 1/2L	ER32
BK136B		CAT40 AD/B - ER 40 - 4.00	0.118 - 1.024	2.480	4.00	2.283	3.634	UN1 1/8-16 1/2L	ER40
BL031B	50	CAT50 AD/B - ER 16 - 3.00	0.019 - 0.393	1.100	4.00	1.008	1.839	UN7/16-18 1/2L	ER16
BL032B		CAT50 AD/B - ER 20 - 4.00	0.039 - 0.511	1.339	4.00	1.220	2.315	UN9/16-16 1/2L	ER20
BL033B		CAT50 AD/B - ER 25 - 4.00	0.039 - 0.629	1.654	4.00	1.339	2.335	UN11/16-16 1/2L	ER25
BL034B		CAT50 AD/B - ER 32 - 4.00	0.078 - 0.787	1.969	4.00	1.575	3.555	UN7/8-16 1/2L	ER32
BL036B		CAT50 AD/B - ER 40 - 4.00	0.118 - 1.024	2.480	4.00	2.283	3.634	UN1 1/8-16 1/2L	ER40

• EXTENDED

Unit : inch

EDP No.	TAPER No.	MODEL No.	CLAMPING RANGE	D	L	H		G	COLLET SERIES
						Min.	Max.		
BK331B	40	CAT40 AD/B - ER 16 - 6.00	0.019 - 0.393	1.102	6.00	1.008	2.240	UN7/16-18 1/2L	ER16
BK332B		CAT40 AD/B - ER 20 - 6.00	0.039 - 0.511	1.339	6.00	1.220	2.315	UN9/16-16 1/2L	ER20
BK333B		CAT40 AD/B - ER 25 - 6.00	0.039 - 0.629	1.654	6.00	1.339	2.335	UN11/16-16 1/2L	ER25
BK334B		CAT40 AD/B - ER 32 - 6.00	0.078 - 0.787	1.969	6.00	1.575	3.555	UN7/8-16 1/2L	ER32
BL331B	50	CAT50 AD/B - ER 16 - 6.00	0.019 - 0.393	1.100	6.00	1.008	1.839	UN7/16-18 1/2L	ER16
BL332B		CAT50 AD/B - ER 20 - 6.00	0.039 - 0.511	1.330	6.00	1.220	2.315	UN9/16-16 1/2L	ER20
BL333B		CAT50 AD/B - ER 25 - 6.00	0.039 - 0.629	1.650	6.00	1.339	2.335	UN11/16-16 1/2L	ER25
BL334B		CAT50 AD/B - ER 32 - 6.00	0.078 - 0.787	1.960	6.00	1.575	3.555	UN7/8-16 1/2L	ER32

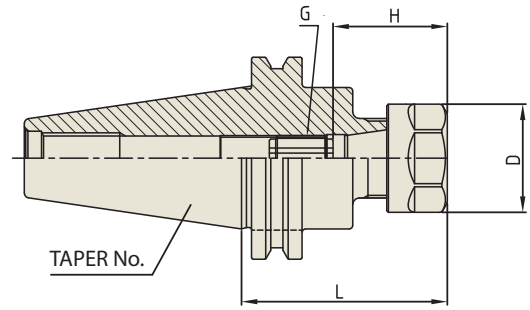
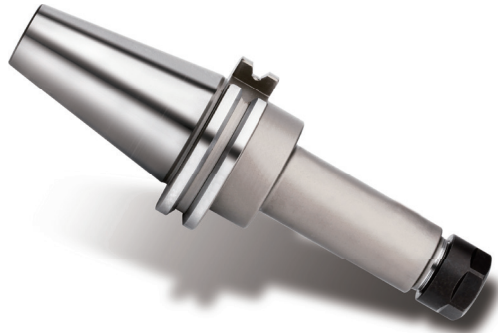
• EXTRA EXTENDED

Unit : inch

EDP No.	TAPER No.	MODEL No.	CLAMPING RANGE	D	L	H		G	COLLET SERIES
						Min.	Max.		
BK434B	40	CAT40 AD/B - ER 16 - 8.00	0.019 - 0.393	1.102	8.00	1.008	2.240	UN7/16-18 1/2L	ER16
BK432B		CAT40 AD/B - ER 20 - 8.00	0.039 - 0.511	1.339	8.00	2.283	3.634	UN9/16-16 1/2	ER20
BK435B		CAT40 AD/B - ER 25 - 8.00	0.039 - 0.629	1.654	8.00	1.339	2.335	UN11/16-16 1/2L	ER25
BK433B		CAT40 AD/B - ER 32 - 8.00	0.078 - 0.787	1.969	8.00	1.575	3.555	UN7/8-16 1/2L	ER32

HIGH BALANCED ER COLLET CHUCK

CAT



ASME B5.50-2009-CAT

ER Collet
Refer to page 134-144



• STUB

Unit : inch

EDP No.	TAPER No.	MODEL No.	CLAMPING RANGE	D	L	H		G	COLLET SERIES
						Min.	Max.		
BK232B25	40	CAT40 - ER 20 - 2.55	0.039 - 0.511	1.339	2.2	2.315	1.272	UN9/16-16 1/2L	ER20
BK233B25		CAT40 - ER 25 - 2.50	0.039 - 0.629	1.654	2.5	2.335	1.339	UN11/16-16 1/2L	ER25
BK233B25		CAT40 - ER 32 - 2.70	0.078 - 0.787	1.969	2.4	3.555	1.575	UN7/8-16 1/2L	ER32

• STANDARD

Unit : inch

EDP No.	TAPER No.	MODEL No.	CLAMPING RANGE	D	L	H		G	COLLET SERIES
						Min.	Max.		
BK030B25	40	CAT40 - ER 11 - 3.00	0.019 - 0.275	0.748	3.00	0.654	1.177	UN5/16-18 1/2L	ER11
BK031B25		CAT40 - ER 16 - 2.88	0.019 - 0.393	1.102	2.88	1.008	2.240	UN7/16-18 1/2L	ER16
BK032B25		CAT40 - ER 20 - 4.00	0.039 - 0.511	1.339	4.00	1.220	2.315	UN9/16-16 1/2L	ER20
BK133B25		CAT40 - ER 25 - 4.00	0.039 - 0.629	1.654	4.00	1.339	2.335	UN11/16-16 1/2L	ER25
BK134B25		CAT40 - ER 32 - 4.00	0.078 - 0.787	1.969	4.00	1.575	3.555	UN7/8-16 1/2L	ER32
BL031B25	50	CAT50 - ER 16 - 4.00	0.019 - 0.393	1.102	4.88	1.008	1.839	UN7/16-18 1/2L	ER16
BL032B25		CAT50 - ER 20 - 4.00	0.039 - 0.511	1.339	4.00	1.220	2.315	UN9/16-16 1/2L	ER20
BL033B25		CAT50 - ER 25 - 4.00	0.039 - 0.629	1.654	4.00	1.339	2.335	UN11/16-16 1/2L	ER25
BL034B25		CAT50 - ER 32 - 4.00	0.078 - 0.787	1.969	4.00	1.575	3.555	UN7/8-16 1/2L	ER32

• EXTENDED

Unit : inch

EDP No.	TAPER No.	MODEL No.	CLAMPING RANGE	D	L	H		G	COLLET SERIES
						Min.	Max.		
BK331B25	40	CAT40 - ER 16 - 4.88	0.019 - 0.393	1.100	4.88	1.008	2.240	UN7/16-18 1/2L	ER16
BK332B25		CAT40 - ER 20 - 6.00	0.039 - 0.511	1.330	6.00	1.220	2.315	UN9/16-16 1/2L	ER20
BK333B25		CAT40 - ER 25 - 6.00	0.039 - 0.629	1.650	6.00	1.339	2.335	UN11/16-16 1/2L	ER25
BK334B25		CAT40 - ER 32 - 6.00	0.078 - 0.787	1.960	6.00	1.575	3.555	UN7/8-16 1/2L	ER32
BL331B25	50	CAT50 - ER 16 - 6.88	0.019 - 0.393	1.100	6.88	1.008	1.839	UN7/16-18 1/2L	ER16
BL332B25		CAT50 - ER 20 - 6.00	0.039 - 0.511	1.330	6.00	1.220	2.315	UN9/16-16 1/2L	ER20
BL333B25		CAT50 - ER 25 - 6.00	0.039 - 0.629	1.650	6.00	1.339	2.335	UN11/16-16 1/2L	ER25
BL334B25		CAT50 - ER 32 - 6.00	0.078 - 0.787	1.960	6.00	1.575	3.555	UN7/8-16 1/2L	ER32

• EXTRA EXTENDED

Unit : inch

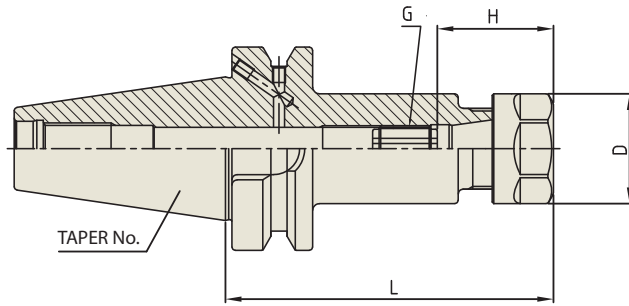
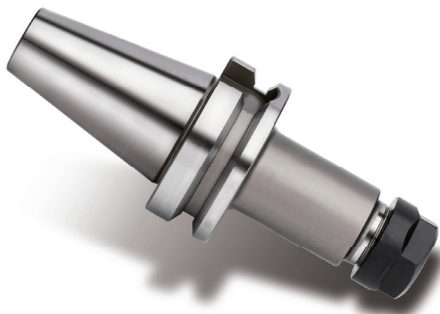
EDP No.	TAPER No.	MODEL No.	CLAMPING RANGE	D	L	H		G	COLLET SERIES
						Min.	Max.		
BK434B25	40	CAT40 - ER 16 - 8.00	0.019 - 0.393	1.102	8.000	1.008	2.240	UN7/16-18 1/2L	ER16
BK432B25		CAT40 - ER 20 - 8.00	0.039 - 0.511	1.339	8.000	2.283	3.634	UN9/16-16 1/2	ER20
BK435B25		CAT40 - ER 25 - 8.00	0.039 - 0.629	1.654	8.000	1.339	2.335	UN11/16-16 1/2L	ER25
BK433B25		CAT40 - ER 32 - 8.00	0.078 - 0.787	1.969	8.000	1.575	3.555	UN7/8-16 1/2L	ER32

* Supplied without wrench.

Hydraulic Chuck
Shrink Fit Holder
End Mill Holder & Side Lock Arbor
ER Collet Chuck
SK Slim Chuck
TG Collet Chuck
Power Milling Chuck
Morse Taper Adapter
Tapping Chuck
One Step Tapping Chuck
Shell Mill Arbor
NC Drill Chuck
Jacobs Taper Arbor
Stub Arbor
Sitting Saw Arbor
Pull Stud & Tool Clamp

ER COLLET CHUCK

BT



JIS B6339/MAS 403-BT

ER Collet
Refer to page 134-144



• STUB

Unit: inch

EDP No.	TAPER No.	MODEL No.	CLAMPING RANGE	D	L	H		G	COLLET SERIES
						Min.	Max.		
BH232B	40	BT40 AD/B - ER 20 - 2.20	0.039 - 0.511	1.339	2.200	1.220	2.315	UN9/16-16 1/2L	ER20
BH233B		BT40 AD/B - ER 25 - 2.50	0.039 - 0.629	1.654	2.500	1.339	2.335	UN11/16-16 1/2L	ER25
BH234B		BT40 AD/B - ER 32 - 2.40	0.078 - 0.787	1.969	2.400	1.575	3.161	UN7/8-16 1/2L	ER32

• STANDARD

Unit: inch

EDP No.	TAPER No.	MODEL No.	CLAMPING RANGE	D	L	H		G	COLLET SERIES
						Min.	Max.		
BH030B	40	BT40 AD/B - ER 11 - 3.00	0.019 - 0.275	0.748	3.000	0.654	1.453	UN5/16-18 1/2L	ER11
BH031B		BT40 AD/B - ER 16 - 3.00	0.019 - 0.393	1.102	3.000	1.008	1.886	UN7/16-18 1/2L	ER16
BH032B		BT40 AD/B - ER 20 - 4.00	0.039 - 0.511	1.339	4.000	1.220	2.315	UN9/16-16 1/2L	ER20
BH133B		BT40 AD/B - ER 25 - 4.00	0.039 - 0.629	1.654	4.000	1.339	2.335	UN11/16-16 1/2L	ER25
BH134B		BT40 AD/B - ER 32 - 4.00	0.078 - 0.787	1.969	4.000	1.575	3.555	UN7/8-16 1/2L	ER32
BH136B		BT40 AD/B - ER 40 - 4.00	0.118 - 1.024	2.480	4.000	2.283	3.437	UN1 1/8-16 1/2L	ER40

• EXTENDED

Unit: inch

EDP No.	TAPER No.	MODEL No.	CLAMPING RANGE	D	L	H		G	COLLET SERIES
						Min.	Max.		
BH331B	40	BT40 AD/B - ER 16 - 6.00	0.019 - 0.393	1.102	6.000	1.008	1.886	UN7/16-18 1/2L	ER16
BH332B		BT40 AD/B - ER 20 - 6.00	0.039 - 0.511	1.339	6.000	1.220	2.315	UN9/16-16 1/2L	ER20
BH333B		BT40 AD/B - ER 25 - 6.00	0.039 - 0.629	1.654	6.000	1.339	2.335	UN11/16-16 1/2L	ER25
BH334B		BT40 AD/B - ER 32 - 6.00	0.078 - 0.787	1.969	6.000	1.575	3.555	UN7/8-16 1/2L	ER32

• EXTRA EXTENDED

Unit: inch

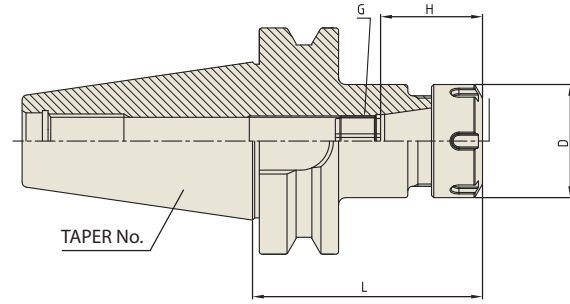
EDP No.	TAPER No.	MODEL No.	CLAMPING RANGE	D	L	H		G	COLLET SERIES
						Min.	Max.		
BH434B	40	BT40 AD/B - ER 16 - 8.00	0.019 - 0.393	1.102	8.000	1.008	1.886	UN7/16-18 1/2L	ER16
BH432B		BT40 AD/B - ER 20 - 8.00	0.039 - 0.511	1.339	8.000	1.220	2.315	UN9/16-16 1/2L	ER20
BH435B		BT40 AD/B - ER 25 - 8.00	0.039 - 0.629	1.654	8.000	1.339	2.335	UN11/16-16 1/2L	ER25
BH433B		BT40 AD/B - ER 32 - 8.00	0.078 - 0.787	1.969	8.000	1.575	3.555	UN7/8-16 1/2L	ER32

* High balanced ER Collet Chucks are on page 130.

* Supplied without wrench.

ER COLLET CHUCK

BT



JIS B6339/MAS 403-BT

ER Collet
Refer to page 134-144



• STANDARD

Unit : inch

EDP No.	TAPER No.	MODEL No.	CLAMPING RANGE	D	L	H		G	COLLET SERIES
						Min.	Max.		
BI031	50	BT50 - ER 16 - 4.88	0.019 - 0.393	1.102	4.880	1.008	1.886	UN7/16-18 1/2L	ER16
BI032		BT50 - ER 20 - 2.63	0.039 - 0.511	1.339	2.630	1.220	3.102	UN9/16-16 1/2L	ER20
BI033		BT50 - ER 25 - 2.63	0.039 - 0.629	1.654	2.630	1.339	2.335	UN11/16-16 1/2L	ER25
BI034		BT50 - ER 32 - 4.00	0.078 - 0.787	1.969	4.000	1.575	3.555	UN7/8-16 1/2L	ER32

• EXTENDED

Unit : inch

EDP No.	TAPER No.	MODEL No.	CLAMPING RANGE	D	L	H		G	COLLET SERIES
						Min.	Max.		
BI331	50	BT50 - ER 16 - 6.00	0.019 - 0.393	1.102	6.000	1.008	1.886	UN7/16-18 1/2L	ER16
BI332		BT50 - ER 20 - 6.00	0.039 - 0.511	1.339	6.000	1.220	3.102	UN9/16-16 1/2L	ER20
BI333		BT50 - ER 25 - 6.00	0.039 - 0.629	1.654	6.000	1.339	2.335	UN11/16-16 1/2L	ER25
BI334		BT50 - ER 32 - 6.00	0.078 - 0.787	1.969	6.000	1.575	3.555	UN7/8-16 1/2L	ER32

• EXTRA EXTENDED

Unit : inch

EDP No.	TAPER No.	MODEL No.	CLAMPING RANGE	D	L	H		G	COLLET SERIES
						Min.	Max.		
BI335	50	BT50 - ER 16 - 8.00	0.019 - 0.393	1.102	8.000	1.008	1.886	UN7/16-18 1/2L	ER16
BI336		BT50 - ER 20 - 8.00	0.039 - 0.511	1.339	8.000	1.220	3.102	UN9/16-16 1/2L	ER20
BI337		BT50 - ER 25 - 8.00	0.039 - 0.629	1.654	8.000	1.339	2.335	UN11/16-16 1/2L	ER25
BI338		BT50 - ER 32 - 8.00	0.078 - 0.787	1.969	8.000	1.575	3.555	UN7/8-16 1/2L	ER32

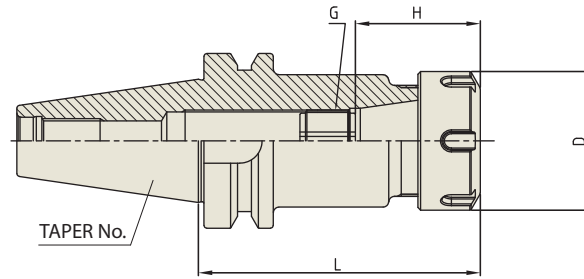
* High balanced ER Collet Chucks are on page 130.

* Supplied without wrench.

Hydraulic Chuck
Shrink Fit Holder
End Mill Holder & Side Lock Arbor
ER Collet Chuck
SK Slim Chuck
TG Collet Chuck
Power Milling Chuck
Morse Taper Adapter
Tapping Chuck
One Step Tapping Chuck
Shell Mill Arbor
NC Drill Chuck
Jacobs Taper Arbor
Stub Arbor
Slitting Saw Arbor
Pull Stud & Tool Clamp

HIGH BALANCED ER COLLET CHUCK

BT



JIS B6339/MAS 403-BT

ER Collet
Refer to page 134-144



• STUB

Unit : inch

EDP No.	TAPER No.	MODEL No.	CLAMPING RANGE	D	L	H		G	COLLET SERIES
						Min.	Max.		
BH232B25	40	BT40 - ER 20 - 2.20	0.039 - 0.511	1.339	2.200	1.220	2.315	UN9/16-16 1/2L	ER20
BH233B25		BT40 - ER 25 - 2.50	0.039 - 0.629	1.654	2.500	1.339	2.335	UN11/16-16 1/2L	ER25
BH234B25		BT40 - ER 32 - 2.40	0.078 - 0.787	1.969	2.400	1.575	3.161	UN7/8-16 1/2L	ER32

• STANDARD

Unit : inch

EDP No.	TAPER No.	MODEL No.	CLAMPING RANGE	D	L	H		G	COLLET SERIES
						Min.	Max.		
BH030B25	40	BT40 - ER 11 - 3.00	0.019 - 0.275	0.748	3.000	0.654	1.453	UN5/16-18 1/2L	ER11
BH031B25		BT40 - ER 16 - 3.00	0.019 - 0.393	1.102	2.880	1.008	1.886	UN7/16-18 1/2L	ER16
BH032B25		BT40 - ER 20 - 4.00	0.039 - 0.511	1.339	4.000	1.220	2.315	UN9/16-16 1/2L	ER20
BH133B25		BT40 - ER 25 - 4.00	0.039 - 0.629	1.654	4.000	1.339	2.335	UN11/16-16 1/2L	ER25
BH134B25		BT40 - ER 32 - 4.00	0.078 - 0.787	1.969	4.000	1.575	3.555	UN7/8-16 1/2L	ER32
BI031B25	50	BT50 - ER 16 - 4.88	0.019 - 0.393	1.102	4.880	1.008	1.886	UN7/16-18 1/2L	ER16
BI032B25		BT50 - ER 20 - 2.63	0.039 - 0.511	1.339	2.630	1.220	3.102	UN9/16-16 1/2L	ER20
BI033B25		BT50 - ER 25 - 2.63	0.039 - 0.629	1.654	2.630	1.339	2.335	UN11/16-16 1/2L	ER25
BI034B25		BT50 - ER 32 - 4.00	0.078 - 0.787	1.969	4.000	1.575	3.555	UN7/8-16 1/2L	ER32

• EXTENDED & EXTRA EXTENDED

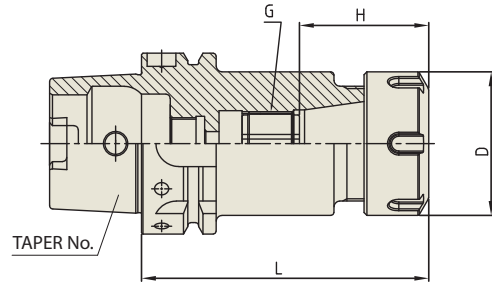
Unit : inch

EDP No.	TAPER No.	MODEL No.	CLAMPING RANGE	D	L	H		G	COLLET SERIES
						Min.	Max.		
BH331B25	40	BT40 - ER 16 - 4.88	0.019 - 0.393	1.102	4.880	1.008	1.886	UN7/16-18 1/2L	ER16
BH434B25		BT40 AD/B - ER 16 - 8.00	0.019 - 0.393	1.102	8.000	1.008	1.886	UN7/16-18 1/2L	ER16
BH332B25		BT40 - ER 20 - 6.00	0.039 - 0.511	1.339	6.000	1.220	2.315	UN9/16-16 1/2L	ER20
BH432B25		BT40 AD/B - ER 20 - 8.00	0.039 - 0.511	1.339	8.000	1.220	2.315	UN9/16-16 1/2L	ER20
BH333B25		BT40 - ER 25 - 6.00	0.039 - 0.629	1.654	6.000	1.339	2.335	UN11/16-16 1/2L	ER25
BH435B25		BT40 AD/B - ER 25 - 8.00	0.039 - 0.629	1.654	8.000	1.339	2.335	UN11/16-16 1/2L	ER25
BH334B25		BT40 - ER 32 - 6.00	0.078 - 0.787	1.969	6.000	1.575	3.555	UN7/8-16 1/2L	ER32
BH433B25		BT40 AD/B - ER 32 - 8.00	0.078 - 0.787	1.969	8.000	1.575	3.555	UN7/8-16 1/2L	ER32
BI331B25		50	BT50 - ER 16 - 6.00	0.019 - 0.393	1.102	6.000	1.008	1.886	UN7/16-18 1/2L
BI335B25	BT50 - ER 16 - 8.00		0.019 - 0.393	1.102	8.000	1.008	1.886	UN7/16-18 1/2L	ER16
BI332B25	BT50 - ER 20 - 6.00		0.039 - 0.511	1.339	6.000	1.220	3.102	UN9/16-16 1/2L	ER20
BI336B25	BT50 - ER 20 - 8.00		0.039 - 0.511	1.339	8.000	1.220	3.102	UN9/16-16 1/2L	ER20
BI333B25	BT50 - ER 25 - 6.00		0.039 - 0.629	1.654	6.000	1.339	2.335	UN11/16-16 1/2L	ER25
BI337B25	BT50 - ER 25 - 8.00		0.039 - 0.629	1.654	8.000	1.339	2.335	UN11/16-16 1/2L	ER25
BI334B25	BT50 - ER 32 - 6.00		0.078 - 0.787	1.969	6.000	1.575	3.555	UN7/8-16 1/2L	ER32
BI338B25	BT50 - ER 32 - 8.00		0.078 - 0.787	1.969	8.000	1.575	3.555	UN7/8-16 1/2L	ER32

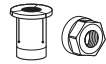
* Supplied without wrench.

DUAL CONTACT ER COLLET CHUCK

HSK



**DIN 69893/
ISO 12164-1-HSK FORM A**



ER Collet
Refer to page 134-144

**DIN
69893-
HSK**

2.5G

**25,000
RPM**

AD

Unit : inch

EDP No.	TAPER No.	MODEL No.	CLAMPING RANGE	D	L	H		G	COLLET SERIES
						Min.	Max.		
BQ010	63A	HSK63A - ER 16 - 3.94	0.019 - 0.393	1.102	3.940	1.008	1.886	UN7/16-18 1/2L	ER16
BQ023		HSK63A - ER 16 - 6.00	0.019 - 0.393	1.102	6.000	1.008	1.886	UN7/16-18 1/2L	ER16
BQ012		HSK63A - ER 20 - 3.94	0.039 - 0.511	1.339	3.940	1.220	2.315	UN9/16-16 1/2L	ER20
BQ026		HSK63A - ER 20 - 6.00	0.039 - 0.511	1.339	6.000	1.220	2.315	UN9/16-16 1/2L	ER20
BQ014		HSK63A - ER 25 - 3.94	0.039 - 0.629	1.654	3.940	1.339	2.020	UN11/16-16 1/2L	ER25
BQ016		HSK63A - ER 32 - 3.94	0.078 - 0.787	1.969	3.940	1.575	2.295	UN7/8-16 1/2L	ER32
BQ018		HSK63A - ER 40 - 4.72	0.118 - 1.180	2.480	4.720	2.283	2.846	UN1 1/8-16 1/2L	ER40
BR010		100A	HSK100A - ER 16 - 3.94	0.019 - 0.393	1.102	3.940	1.008	1.886	UN7/16-18 1/2L
BR012	HSK100A - ER 20 - 3.94		0.039 - 0.511	1.339	3.940	1.220	2.000	UN9/16-16 1/2L	ER20
BR014	HSK100A - ER 25 - 3.94		0.039 - 0.629	1.654	3.940	1.339	1.882	UN11/16-16 1/2L	ER25
BR016	HSK100A - ER 32 - 3.94		0.078 - 0.787	1.969	3.940	1.575	1.882	UN7/8-16 1/2L	ER32
BR018	HSK100A - ER 40 - 4.72		0.118 - 1.180	2.480	4.720	2.283	2.590	UN1 1/8-16 1/2L	ER40

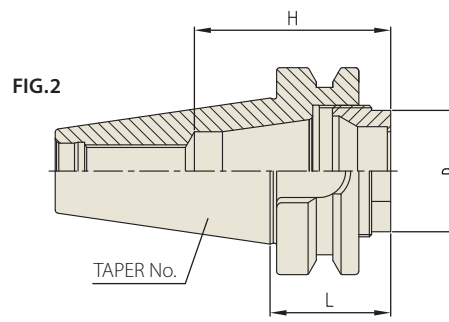
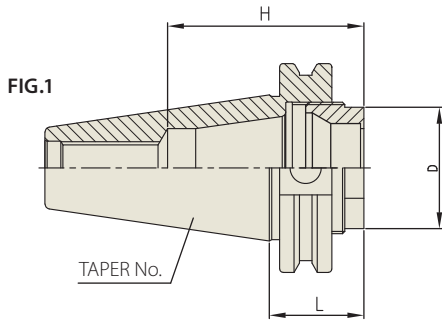
* Supplied without wrench.

Hydraulic Chuck
Shrink Fit Holder
End Mill Holder & Side Lock Arbor
ER Collet Chuck
SK Slim Chuck
TG Collet Chuck
Power Milling Chuck
Morse Taper Adapter
Tapping Chuck
One Step Tapping Chuck
Shell Mill Arbor
NC Drill Chuck
Jacobs Taper Arbor
Stub Arbor
Slitting Saw Arbor
Pull Stud & Tool Clamp

ER COLLET CHUCK

CAT / BT

SHORT



ASME B5.50-2009-CAT

EDP No.	TAPER No.	MODEL No.	CLAMPING RANGE	D	L	H	COLLET SERIES	FIG.
BK020SHT	40	CAT40 - ER 32 - SHORT	0.078 - 0.787	1.455	1.134	2.350	ER32 (For Hex. Nut)	1
BL020SHT	50	CAT50 - ER 32 - SHORT	0.078 - 0.787	1.455	1.134	2.350	ER32 (For Hex. Nut)	1

Unit : inch

JIS B6339/MAS 403-BT

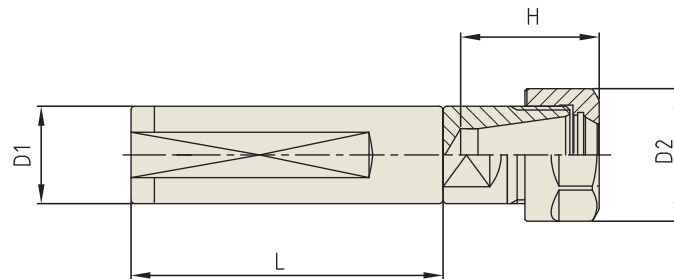
EDP No.	TAPER No.	MODEL No.	CLAMPING RANGE	D	L	H	COLLET SERIES	FIG.
BH020SHT	40	BT40 - ER 32 - SHORT	0.078 - 0.787	1.455	1.446	2.350	ER32 (For Hex. Nut)	2

Unit : inch

TENSION ER COLLET CHUCK

K

For TAPPING



STRAIGHT-K

EDP No.	TAPER No.	MODEL No.	CLAMPING RANGE	D1	D2	L	H	COLLET SERIES
BS110	1	K1 - ERT 16 - 2.76	0.019 - 0.393	1.000	1.102	2.756	1.248	ER16
BS111		K1 - ERT 20 - 3.15	0.039 - 0.511	1.000	1.339	3.150	1.398	ER20
BS112	1 1/4	K1 1/4 - ERT 16 - 2.76	0.019 - 0.393	1.250	1.102	2.756	1.248	ER16
BS113		K1 1/4 - ERT 20 - 3.15	0.039 - 0.511	1.250	1.339	3.150	1.398	ER20
BS114		K1 1/4 - ERT 25 - 3.15	0.039 - 0.629	1.250	1.654	3.150	1.654	ER25
BS115		K1 1/4 - ERT 32 - 3.15	0.078 - 0.787	1.250	1.969	3.150	1.890	ER32

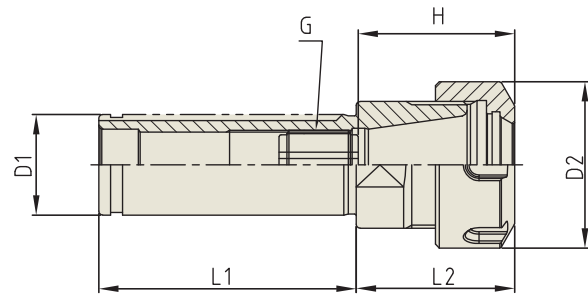
Unit : inch

* Supplied without wrench.

NC ER COLLET CHUCK

NC

For CNC LATHE



NC-ER

ER Collet
Refer to page 134-144

Unit : inch

EDP No.	TAPER No.	MODEL No.	CLAMPING RANGE	D1	D2	L1	L2	H		G	COLLET SERIES
								Min.	Max.		
BN110	1	NC1 - ER 11	0.019 - 0.275	1.000	0.748	2.559	1.260	0.654	1.350	UN5/16-18 1/2L	ER11
BN111		NC1 - ER 16	0.019 - 0.393	1.000	1.102	2.559	1.417	1.008	1.886	UN7/16-18 1/2L	ER16
BN112		NC1 - ER 20	0.039 - 0.511	1.000	1.339	2.559	1.575	1.220	2.315	UN9/16-16 1/2L	ER20
BN113		NC1 - ER 25	0.039 - 0.629	1.000	1.654	2.559	1.575	1.339	2.315	UN11/16-16 1/2L	ER25
BN114	1 1/4	NC1 1/4 - ER 20	0.039 - 0.511	1.250	1.339	2.756	1.161	1.220	2.315	UN9/16-16 1/2L	ER20
BN115		NC1 1/4 - ER 25	0.039 - 0.629	1.250	1.654	2.756	1.575	1.339	2.335	UN11/16-16 1/2L	ER25
BN116		NC1 1/4 - ER 32	0.078 - 0.787	1.250	1.969	2.756	1.772	1.575	2.453	UN7/8-16 1/2L	ER32
BN117		NC1 1/4 - ER 40	0.118 - 1.180	1.250	2.480	2.756	3.150	2.441	3.555	UN1 1/8-16 1/2L	ER42
BN118	1 1/2	NC1 1/2 - ER 25	0.039 - 0.629	1.500	1.654	2.953	1.575	1.339	2.335	UN11/16-16 1/2L	ER25
BN119		NC1 1/2 - ER 32	0.078 - 0.787	1.500	1.969	2.953	1.772	1.575	2.335	UN7/8-16 1/2L	ER32
BN120		NC1 1/2 - ER 40	0.118 - 1.180	1.500	2.480	2.953	3.150	2.559	3.427	UN1 1/8-16 1/2L	ER42

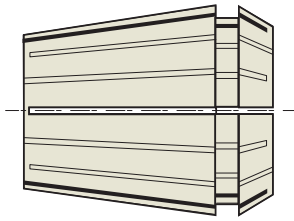
* Supplied without wrench.

Hydraulic Chuck
Shrink Fit Holder
End Mill Holder & Side Lock Arbor
ER Collet Chuck
SK Slim Chuck
TG Collet Chuck
Power Milling Chuck
Morse Taper Adapter
Tapping Chuck
One Step Tapping Chuck
Shell Mill Arbor
NC Drill Chuck
Jacobs Taper Arbor
Stub Arbor
Slitting Saw Arbor
Pull Stud & Tool Clamp

ER COLLET

ER

INCH TYPE



Unit : inch

ER 11		ER 16		ER 20		ER 25		ER 32		ER 40	
EDP No.	CLAMPING CAPACITY	EDP No.	CLAMPING CAPACITY	EDP No.	CLAMPING CAPACITY	EDP No.	CLAMPING CAPACITY	EDP No.	CLAMPING CAPACITY	EDP No.	CLAMPING CAPACITY
110116	1/16	160116	1/16	200116	1/16	250116	1/16	320332	3/32	400108	1/8
110332	3/32	160332	3/32	200332	3/32	250332	3/32	320108	1/8	400532	5/32
110108	1/8	160108	1/8	200108	1/8	250108	1/8	320532	5/32	400316	3/16
110532	5/32	160532	5/32	200532	5/32	250532	5/32	320316	3/16	400732	7/32
110316	3/16	160316	3/16	200316	3/16	250316	3/16	320732	7/32	400104	1/4
110732	7/32	160732	7/32	200732	7/32	250732	7/32	320104	1/4	400932	9/32
110104	1/4	160104	1/4	200104	1/4	250104	1/4	320932	9/32	400516	5/16
		160932	9/32	200932	9/32	250932	9/32	320516	5/16	401132	11/32
		160516	5/16	200516	5/16	250516	5/16	321132	11/32	400308	3/8
		161132	11/32	201132	11/32	251132	11/32	320308	3/8	401332	13/32
		160308	3/8	200308	3/8	250308	3/8	321332	13/32	400716	7/16
		161332	13/32	201332	13/32	251332	13/32	320716	7/16	401532	15/32
				200716	7/16	250716	7/16	321532	15/32	400102	1/2
				201532	15/32	251532	15/32	320102	1/2	401732	17/32
				200102	1/2	250102	1/2	321732	17/32	400916	9/16
						251732	17/32	320916	9/16	401932	19/32
						250916	9/16	321932	19/32	400508	5/8
						251932	19/32	320508	5/8	402132	21/32
						250508	5/8	322132	21/32	401116	11/16
								321116	11/16	402332	23/32
								322332	23/32	400304	3/4
								320304	3/4	402532	25/32
										401316	13/16
										402732	27/32
										400708	7/8
										402932	29/32
										401516	15/16
										403132	31/32
										401000	1
ER11S07	STANDARD SET	ER16S12	STANDARD SET	ER20S15	STANDARD SET	ER25S19	STANDARD SET	ER32S22	STANDARD SET	ER40S29	STANDARD SET
Ø1/16" to 1/4"		Ø1/16" to 13/32"		Ø1/16" to 1/2"		Ø1/16" to 5/8"		Ø3/32" to 3/4"		Ø1/8" to 1"	
7pcs		12pcs		15pcs		19pcs		22pcs		29pcs	

ER COLLET

ER

METRIC TYPE



Unit : mm

ER 8		ER 11		ER 16		ER 20	
EDP No.	CLAMPING RANGE	EDP No.	CLAMPING RANGE	EDP No.	CLAMPING RANGE	EDP No.	CLAMPING RANGE
208010	1.0 - 0.5	211010	1.0 - 0.5	216010	1.0 - 0.5	220010	1.0 - 0.5
208015	1.5 - 1.0	211015	1.5 - 1.0	216015	1.5 - 1.0	220015	1.5 - 1.0
208020	2.0 - 1.5	211020	2.0 - 1.5	216020	2.0 - 1.0	220020	2.0 - 1.0
208025	2.5 - 2.0	211025	2.5 - 2.0	216025	2.5 - 2.0	220025	2.5 - 2.0
208030	3.0 - 2.5	211030	3.0 - 2.5	216030	3.0 - 2.0	220030	3.0 - 2.0
208035	3.5 - 3.0	211035	3.5 - 3.0	216040	4.0 - 3.0	220040	4.0 - 3.0
208040	4.0 - 3.5	211040	4.0 - 3.5	216050	5.0 - 4.0	220050	5.0 - 4.0
208045	4.5 - 4.0	211045	4.5 - 4.0	216060	6.0 - 5.0	220060	6.0 - 5.0
208050	5.0 - 4.5	211050	5.0 - 4.5	216070	7.0 - 6.0	220070	7.0 - 6.0
		211055	5.5 - 5.0	216080	8.0 - 7.0	220080	8.0 - 7.0
		211060	6.0 - 5.5	216090	9.0 - 8.0	220090	9.0 - 8.0
		211065	6.5 - 6.0	216100	10.0 - 9.0	220100	10.0 - 9.0
		211070	7.0 - 6.5			220110	11.0 - 10.0
						220120	12.0 - 11.0
						220130	13.0 - 12.0
208000	STANDARD SET	211000	STANDARD SET	216000	STANDARD SET	220000	STANDARD SET
Ø1.0 - 5.0mm		Ø1.0 - 7.0mm		Ø1.0 - 10.0mm		Ø2.0 - 13.0mm	
9pcs		13pcs		10pcs		12pcs	
108110	WOODEN TRAY ZWT 8	011110	WOODEN TRAY ZWT 11	016110	WOODEN TRAY ZWT 16	020110	WOODEN TRAY ZWT 20

Hydraulic Chuck
Shrink Fit Holder
End Mill Holder & Side Lock Arbor
ER Collet Chuck
SKS Slim Chuck
TG Collet Chuck
Power Milling Chuck
Morse Taper Adapter
Tapping Chuck
One Step Tapping Chuck
Shell Mill Arbor
NC Drill Chuck
Jacobs Taper Arbor
Stub Arbor
Slitting Saw Arbor
Pull Stud & Tool Clamp

ER COLLET

ER

METRIC TYPE



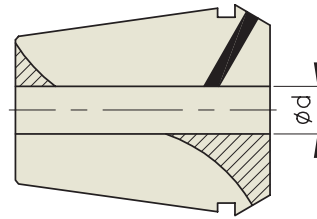
Unit : mm

ER 25		ER 32		ER 40		ER 50	
EDP No.	CLAMPING RANGE	EDP No.	CLAMPING RANGE	EDP No.	CLAMPING RANGE	EDP No.	CLAMPING RANGE
225010	1.0 - 1.5	232020	2.0 - 1.0	240030	3.0 - 2.0	250060	6.0 - 4.0
225015	1.5 - 1.0	232025	2.5 - 2.0	240040	4.0 - 3.0	250080	8.0 - 6.0
225020	2.0 - 1.0	232030	3.0 - 2.0	240050	5.0 - 4.0	250100	10.0 - 8.0
225025	2.5 - 2.0	232040	4.0 - 3.0	240060	6.0 - 5.0	250120	12.0 - 10.0
225030	3.0 - 2.0	232050	5.0 - 4.0	240070	7.0 - 6.0	250140	14.0 - 12.0
225040	4.0 - 3.0	232060	6.0 - 5.0	240080	8.0 - 7.0	250160	16.0 - 14.0
225050	5.0 - 4.0	232070	7.0 - 6.0	240090	9.0 - 8.0	250180	18.0 - 16.0
225060	6.0 - 5.0	232080	8.0 - 7.0	240100	10.0 - 9.0	250200	20.0 - 18.0
225070	7.0 - 6.0	232090	9.0 - 8.0	240110	11.0 - 10.0	250220	22.0 - 20.0
225080	8.0 - 7.0	232100	10.0 - 9.0	240120	12.0 - 11.0	250240	24.0 - 22.0
225090	9.0 - 8.0	232110	11.0 - 10.0	240130	13.0 - 12.0	250250	25.0 - 23.0
225100	10.0 - 9.0	232120	12.0 - 11.0	240140	14.0 - 13.0	250260	26.0 - 24.0
225110	11.0 - 10.0	232130	13.0 - 12.0	240150	15.0 - 14.0	250280	28.0 - 26.0
225120	12.0 - 11.0	232140	14.0 - 13.0	240160	16.0 - 15.0	250300	30.0 - 28.0
225130	13.0 - 12.0	232150	15.0 - 14.0	240170	17.0 - 16.0	250320	32.0 - 30.0
225140	14.0 - 13.0	232160	16.0 - 15.0	240180	18.0 - 17.0	250340	34.0 - 32.0
225150	15.0 - 14.0	232170	17.0 - 16.0	240190	19.0 - 18.0		
225160	16.0 - 15.0	232180	18.0 - 17.0	240200	20.0 - 19.0		
		232190	19.0 - 18.0	240210	21.0 - 20.0		
		232200	20.0 - 19.0	240220	22.0 - 21.0		
				240230	23.0 - 22.0		
				240240	24.0 - 23.0		
				240250	25.0 - 24.0		
				240260	26.0 - 25.0		
				240270	27.0 - 26.0		
				240280	28.0 - 27.0		
				240290	29.0 - 28.0		
				240300	30.0 - 29.0		
225000	STANDARD SET	232000	STANDARD SET	240000	STANDARD SET	250000	STANDARD SET
Ø2.0 - 16.0mm		Ø3.0 - 20.0mm		Ø4.0 - 26.0mm		Ø12.0 - 34.0mm	
15pcs		18pcs		23pcs		12pcs	
025110	WOODEN TRAY ZWT 25	032110	WOODEN TRAY ZWT 32	040110	WOODEN TRAY ZWT 40	050110	WOODEN TRAY ZWT 50

SEALED ER COLLET

ER

INCH TYPE



Unit : inch

ER 11S		ER 16S		ER 20S		ER 25S		ER 32S		ER 40S	
EDP No.	CLAMPING CAPACITY	EDP No.	CLAMPING CAPACITY	EDP No.	CLAMPING CAPACITY	EDP No.	CLAMPING CAPACITY	EDP No.	CLAMPING CAPACITY	EDP No.	CLAMPING CAPACITY
110108S	1/8	160108S	1/8	200108S	1/8	250108S	1/8	320108S	1/8	400108S	1/8
110532S	5/32	160532S	5/32	200532S	5/32	250532S	5/32	320532S	5/32	400532S	5/32
110316S	3/16	160316S	3/16	200316S	3/16	250316S	3/16	320316S	3/16	400316S	3/16
110732S	7/32	160732S	7/32	200732S	7/32	250732S	7/32	320732S	7/32	400732S	7/32
110104S	1/4	160104S	1/4	200104S	1/4	250104S	1/4	320104S	1/4	400104S	1/4
		160932S	9/32	200932S	9/32	250932S	9/32	320932S	9/32	400932S	9/32
		160516S	5/16	200516S	5/16	250516S	5/16	320516S	5/16	400516S	5/16
		161132S	11/32	201132S	11/32	251132S	11/32	321132S	11/32	401132S	11/32
		160308S	3/8	200308S	3/8	250308S	3/8	320308S	3/8	400308S	3/8
		161332S	13/32	201332S	13/32	251332S	13/32	321332S	13/32	401332S	13/32
				200716S	7/16	250716S	7/16	320716S	7/16	400716S	7/16
				201532S	15/32	251532S	15/32	321532S	15/32	401532S	15/32
				200102S	1/2	250102S	1/2	320102S	1/2	400102S	1/2
						251732S	17/32	321732S	17/32	401732S	17/32
						250916S	9/16	320916S	9/16	400916S	9/16
						251932S	19/32	321932S	19/32	401932S	19/32
						250508S	5/8	320508S	5/8	400508S	5/8
								322132S	21/32	402132S	21/32
								321116S	11/16	401116S	11/16
								322332S	23/32	402332S	23/32
								320304S	3/4	400304S	3/4
										402532S	25/32
										401316S	13/16
										402732S	27/32
										400708S	7/8
										402932S	29/32
										401516S	15/16
										403132S	31/32
										401000S	1
ER11S05S	STANDARD SET	ER16S10S	STANDARD SET	ER20S13S	STANDARD SET	ER25S17S	STANDARD SET	ER32S21S	STANDARD SET	ER40S29S	STANDARD SET
Ø1/8" to 1/4"		Ø1/8" to 13/32"		Ø1/8" to 1/2"		Ø1/8" to 5/8"		Ø1/8" to 3/4"		Ø1/8" to 1"	
5pcs		10pcs		13pcs		17pcs		21pcs		29pcs	

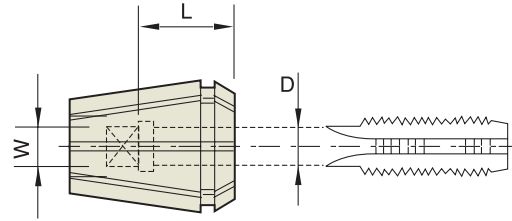
* Metric sealed ER collets are available on request.

Hydraulic Chuck
Shrink Fit Holder
End Mill Holder & Side Lock Arbor
ER Collet Chuck
SK Slim Chuck
TG Collet Chuck
Power Milling Chuck
Morse Taper Adapter
Tapping Chuck
One Step Tapping Chuck
Shell Mill Arbor
NC Drill Chuck
Jacobs Taper Arbor
Stub Arbor
Slitting Saw Arbor
Pull Stud & Tool Clamp

TAP ER COLLET

RD

INCH TYPE : ANSI



Below standard Tap ER Collet conforms to **ANSI** (For STANDARD TAPS)

Unit : inch

RD 11TC					
EDP No.	TAP		D(∅)	W(□)	L
	Inch	Metric			
11TC1411	#6	M3	0.141	0.110	0.472
11TC1613	#8	M4	0.168	0.131	0.472
11TC1915	#10	M4.5+M5	0.194	0.152	0.472
11TC2216	#12	-	0.220	0.165	0.551
11TC2519	1/4	M6	0.255	0.191	0.551

RD 16TC					
EDP No.	TAP		D(∅)	W(□)	L
	Inch	Metric			
16TC1411	#6	M3	0.141	0.110	0.709
16TC1613	#8	M4	0.168	0.131	0.709
16TC1915	#10	M4.5+M5	0.194	0.152	0.709
16TC2216	#12	-	0.220	0.165	0.709
16TC2519	1/4	M6	0.255	0.191	0.709
16TC3123	5/16	M7+M8	0.318	0.238	0.709
16TC3224	7/16	-	0.323	0.242	0.709

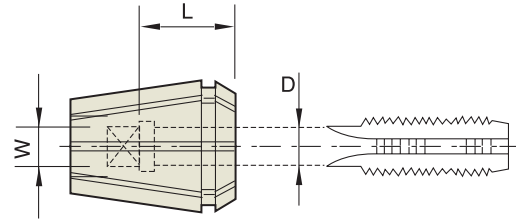
RD 20TC					
EDP No.	TAP		D(∅)	W(□)	L
	Inch	Metric			
20TC1411	#6	M3	0.141	0.110	0.709
20TC1613	#8	M4	0.168	0.131	0.709
20TC1915	#10	M4.5+M5	0.194	0.152	0.709
20TC2216	#12	-	0.220	0.165	0.709
20TC2519	1/4	M6	0.255	0.191	0.709
20TC3123	5/16	M7+M8	0.318	0.238	0.866
20TC3828	3/8	M10	0.381	0.286	0.866
20TC3224	7/16	-	0.323	0.242	0.866
20TC3622	1/2	M12	0.367	0.275	0.866

RD 25TC					
EDP No.	TAP		D(∅)	W(□)	L
	Inch	Metric			
25TC1411	#6	M3	0.141	0.110	0.709
25TC1613	#8	M4	0.168	0.131	0.709
25TC1915	#10	M4.5+M5	0.194	0.152	0.709
25TC2216	#12	-	0.220	0.165	0.709
25TC2519	1/4	M6	0.255	0.191	0.709
25TC3123	5/16	M7+M8	0.318	0.238	0.866
25TC3828	3/8	M10	0.381	0.286	0.866
25TC3224	7/16	-	0.323	0.242	0.866
25TC3622	1/2	M12	0.367	0.275	0.866
25TC4232	9/16	M14	0.429	0.322	0.984
25TC4836	5/8	M16	0.480	0.360	0.984
25TC5440	11/16	M18	0.542	0.406	0.984
25TC5944	3/4	-	0.590	0.442	0.984

TAP ER COLLET

RD

INCH TYPE : ANSI



Below standard Tap ER Collet conforms to **ANSI** (For STANDARD TAPS)

Unit : inch

RD 32TC					
EDP No.	TAP		D(∅)	W(□)	L
	Inch	Metric			
32TC1411	#6	M3	0.141	0.110	0.709
32TC1613	#8	M4	0.168	0.131	0.709
32TC1915	#10	M4.5+M5	0.194	0.152	0.709
32TC2216	#12	-	0.220	0.165	0.709
32TC2519	1/4	M6	0.255	0.191	0.709
32TC3123	5/16	M7+M8	0.318	0.238	0.866
32TC3828	3/8	M10	0.381	0.286	0.866
32TC3224	7/16	-	0.323	0.242	0.866
32TC3627	1/2	M12	0.367	0.275	0.866
32TC4232	9/16	M14	0.429	0.322	0.984
32TC4836	5/8	M16	0.480	0.360	0.984
32TC5440	11/16	M18	0.542	0.406	0.984
32TC5944	3/4	-	0.590	0.442	0.984
32TC6548	13/16	M20	0.652	0.489	0.984

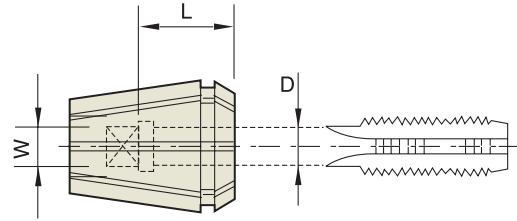
RD 40TC					
EDP No.	TAP		D(∅)	W(□)	L
	Inch	Metric			
40TC1411	#6	M3	0.141	0.110	0.709
40TC1613	#8	M4	0.168	0.131	0.709
40TC1915	#10	M4.5+M5	0.194	0.152	0.709
40TC2216	#12	-	0.220	0.165	0.709
40TC2519	1/4	M6	0.255	0.191	0.709
40TC3123	5/16	M7+M8	0.318	0.238	0.866
40TC3828	3/8	M10	0.381	0.286	0.866
40TC3224	7/16	-	0.323	0.242	0.866
40TC3627	1/2	M12	0.367	0.275	0.866
40TC4232	9/16	M14	0.429	0.322	0.984
40TC4836	5/8	M16	0.480	0.360	0.984
40TC5440	11/16	M18	0.542	0.406	0.984
40TC5944	3/4	-	0.590	0.442	0.984
40TC6548	13/16	M20	0.652	0.489	0.984
40TC6952	7/8	M22	0.697	0.523	0.984
40TC7657	15/16	M24	0.760	0.570	0.984
40TC8060	1	M25	0.800	0.600	1.102

Hydraulic Chuck
Shrink Fit Holder
End Mill Holder & Side Lock Arbor
ER Collet Chuck
SK Slim Chuck
TG Collet Chuck
Power Milling Chuck
Morse Taper Adapter
Tapping Chuck
One Step Tapping Chuck
Shell Mill Arbor
NC Drill Chuck
Jacobs Taper Arbor
Stub Arbor
Slitting Saw Arbor
Pull Stud & Tool Clamp

TAP ER COLLET

RD

INCH TYPE : ANSI



Below standard Tap ER Collet conforms to **ANSI** (For PIPE TAPS)

Unit : inch

RD 16TCP				
EDP No.	TAP	D(∅)	W(□)	L
16TP3123	1/8(SS)	0.312	0.234	0.709
16TP4332	1/8(LS)	0.437	0.328	0.709

RD 20TCP				
EDP No.	TAP	D(∅)	W(□)	L
20TP3123	1/8(SS)	0.312	0.234	0.787
20TP4332	1/8(LS)	0.437	0.328	0.787

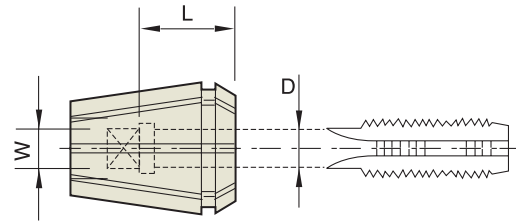
RD 25TCP				
EDP No.	TAP	D(∅)	W(□)	L
25TP3123	1/8(SS)	0.312	0.234	0.787
25TP4332	1/8(LS)	0.437	0.328	0.787
25TP5642	1/4	0.562	0.420	0.787

RD 32TCP				
EDP No.	TAP	D(∅)	W(□)	L
32TP3123	1/8(SS)	0.312	0.234	0.787
32TP4332	1/8(LS)	0.437	0.328	0.787
32TP5642	1/4	0.562	0.420	0.787

RD 40TCP				
EDP No.	TAP	D(∅)	W(□)	L
40TP3123	1/8(SS)	0.312	0.234	0.787
40TP4332	1/8(LS)	0.437	0.328	0.787
40TP5642	1/4	0.562	0.420	0.787
40TP7053	3/8	0.700	0.530	0.866
40TP6851	1/2	0.687	0.515	0.866
40TP9067	3/4	0.906	0.679	0.945

* SS : Short Series / LS : Long Series

METRIC TYPE : JIS



Below standard Tap ER Collet conforms to **JIS**

Unit : mm

RDT 16				
EDP No.	TAP	D(∅)	W(□)	L
16T30025	M2	3.0	2.5	15
16T40032	M3	4.0	3.2	15
16T50040	M4	5.0	4.0	15
16T55045	M5	5.5	4.5	15
16T60045	M6	6.0	4.5	15
16T62050	M8	6.2	5.0	15

RDT 20				
EDP No.	TAP	D(∅)	W(□)	L
20T40032	M3	4.0	3.2	15
20T50040	M4	5.0	4.0	15
20T55045	M5	5.5	4.5	15
20T60045	M6	6.0	4.5	15
20T62050	M8	6.2	5.0	20
20T70055	M10	7.0	5.5	20

RDT 25				
EDP No.	TAP	D(∅)	W(□)	L
25T40032	M3	4.0	3.2	15
25T50032	M4	5.0	4.0	15
25T55045	M5	5.5	4.5	15
25T60045	M6	6.0	4.5	15
25T62050	M8	6.2	5.0	20
25T70055	M10	7.0	5.5	20
25T85065	M12	8.5	6.5	20
25T10580	M14	10.5	8.0	20

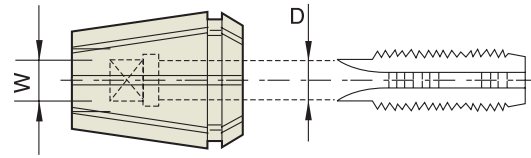
RDT 32				
EDP No.	TAP	D(∅)	W(□)	L
32T50040	M4	5.0	4.0	15
32T55045	M5	5.5	4.5	15
32T60045	M6	6.0	4.5	15
32T62050	M8	6.2	5.0	20
32T70055	M10	7.0	5.5	20
32T85065	M12	8.5	6.5	20
32T10560	M14	10.5	8.0	20
32T12510	M16	12.5	10.0	20
32T14011	M18	14.0	11.0	20

RDT 40				
EDP No.	TAP	D(∅)	W(□)	L
40T62050	M8	6.2	5.0	20
40T70055	M10	7.0	5.5	20
40T85065	M12	8.5	6.5	25
40T10580	M14	10.5	8.0	25
40T12510	M16	12.5	10.0	25
40T14011	M18	14.0	11.0	25
40T15012	M20	15.0	12.0	28
40T17013	M22	17.0	13.0	28
40T19015	M24	19.0	15.0	28

TAP ER COLLET

RD

METRIC TYPE : DIN



Below standard Tap ER Collet conforms to DIN

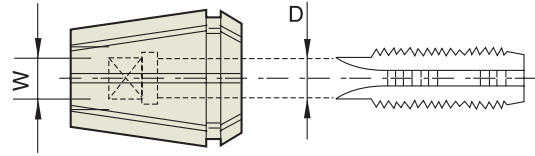
Unit : mm

DIN STANDARD			RD 11TCD			RD 16TCD			RD 20TCD		
DIN 374/376	DIN 352/2181	DIN 371	EDP No.	D(∅)	W(□)	EDP No.	D(∅)	W(□)	EDP No.	D(∅)	W(□)
M5	M3	M3	11TD3527	3.5	2.7	16TD3527	3.5	2.7	20TD3527	3.5	2.7
M5.5	M3.5	M3.5	11TD4030	4.0	3.0	16TD4030	4.0	3.0	20TD4030	4.0	3.0
M6	M4	M4	11TD4534	4.5	3.4	16TD4534	4.5	3.4	20TD4534	4.5	3.4
M5	-	-	11TD5040	5.0	4.0	16TD5040	5.0	4.0	20TD5040	5.0	4.0
M7	-	-	11TD5543	5.5	4.3	16TD5543	5.5	4.3	20TD5543	5.5	4.3
M8	M4.5-M8	M4.5-M8	11TD6049	6.0	4.9	16TD6049	6.0	4.9	20TD6049	6.0	4.9
M9+M10	M9+M10	M7				16TD7055	7.0	5.5	20TD7055	7.0	5.5
M11	M11	M8							20TD8062	8.0	6.2
M12	M12	M9							20TD9070	9.0	7.0
-	-	M10							20TD10080	10.0	8.0
M13+M14	M13+M14	-									
M15-M17	M15-M17	-									
M18+M19	M18+M19	-									
M20+M21	M20+M21	-									
M22-M26	M22-M26	-									
M27+M28	M27+M28	-									
M29-M32	M29-M32	-									
M33	M33	-									
M34-M38	M34-M38	-									
M39-M42	M39-M42	-									

TAP ER COLLET

RD

METRIC TYPE : DIN



Below standard Tap ER Collet conforms to **DIN**

Unit : mm

RD 25TCD			RD 32TCD			RD 40TCD			RD 50TCD		
EDP No.	D(∅)	W(□)	EDP No.	D(∅)	W(□)	EDP No.	D(∅)	W(□)	EDP No.	D(∅)	W(□)
25TD3527	3.5	2.7	32TD3527	3.5	2.7	40TD3527	3.5	2.7			
25TD4030	4.0	3.0	32TD4030	4.0	3.0	40TD4030	4.0	3.0			
25TD4534	4.5	3.4	32TD4534	4.5	3.4	40TD4534	4.5	3.4			
25TD5040	5.0	4.0	32TD5040	5.0	4.0	40TD5040	5.0	4.0			
25TD5543	5.5	4.3	32TD5543	5.5	4.3	40TD5543	5.5	4.3			
25TD6049	6.0	4.9	32TD6049	6.0	4.9	40TD6049	6.0	4.9			
25TD7055	7.0	5.5	32TD7055	7.0	5.5	40TD7055	7.0	5.5			
25TD8062	8.0	6.2	32TD8062	8.0	6.2	40TD8062	8.0	6.2	50TD8062	8.0	6.2
25TD9080	9.0	7.0	32TD9070	9.0	7.0	40TD9070	9.0	7.0	50TD9070	9.0	7.0
25TD10090	10.0	8.0	32TD10080	10.0	8.0	40TD10080	10.0	8.0	50TD10080	10.0	8.0
25TD11090	11.0	9.0	32TD11090	11.0	9.0	40TD11090	11.0	9.0	50TD11090	11.0	9.0
25TD12090	12.0	9.0	32TD12090	12.0	9.0	40TD12090	12.0	9.0	50TD12090	12.0	9.0
25TD140110	14.0	11.0	32TD140110	14.0	11.0	40TD140110	14.0	11.0	50TD140110	14.0	11.0
25TD160120	16.0	12.0	32TD160120	16.0	12.0	40TD160120	16.0	12.0	50TD160120	16.0	12.0
						40TD180145	18.0	14.5	50TD180145	18.0	14.5
						40TD200160	20.0	16.0	50TD200160	20.0	16.0
						40TD220180	22.0	18.0	50TD220180	22.0	18.0
									50TD250200	25.0	20.0
									50TD280220	28.0	22.0
									50TD320240	32.0	24.0

Hydraulic Chuck
Shrink Fit Holder
End Mill Holder & Side Lock Arbor
ER Collet Chuck
SK Slim Chuck
TG Collet Chuck
Power Milling Chuck
Morse Taper Adapter
Tapping Chuck
One Step Tapping Chuck
Shell Mill Arbor
MC Drill Chuck
Jacobs Taper Arbor
Stub Arbor
Slitting Saw Arbor
Pull Stud & Tool Clamp

ER NUT

PART

FIG.1

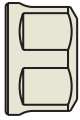
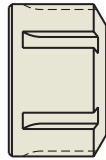


FIG.2



EDP No.	SERIES	TYPE
ZZ061	ER11 - NUT	FIG.1
ZZ063	ER16 - NUT	FIG.1
ZZ066	ER20 - NUT	FIG.1

EDP No.	SERIES	TYPE
ZZ069	ER25 - NUT	FIG.2
ZZ072	ER32 - NUT	FIG.2
ZZ077	ER40 - NUT	FIG.2

ER WRENCH



FIG.1



FIG.2

EDP No.	SERIES	TYPE
ZZ062	ER11	FIG.1
ZZ064	ER16	FIG.1
ZZ067	ER20	FIG.1

EDP No.	SERIES	TYPE
ZZ070	ER25	FIG.2
ZZ073	ER32	FIG.2
ZZ076	ER40	FIG.2

* Design and shape could be changed without prior notice.

ER STOP SCREW

FIG.1

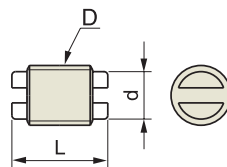
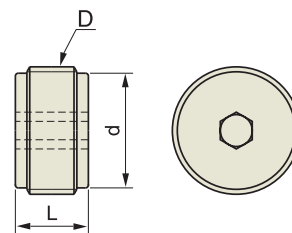


FIG.2



EDP No.	SERIES	L	d	D	TYPE
ZZ060	ER11	0.50	0.25	UN5/16-18	FIG.1

EDP No.	SERIES	L	d	D	TYPE
ZZ065	ER16	0.50	0.35	UN7/16-16	FIG.2
ZZ068	ER20	0.50	0.48	UN9/16-16	FIG.2
ZZ071	ER25	0.50	0.60	UN11/16-16	FIG.2
ZZ074	ER32	0.50	0.79	UN7/8-16	FIG.2



ROTARY TOOLING

SK SLIM CHUCK



CAT : ASME B5.50-2009

CCT : CAT DUAL CONTACT

CBT : BT DUAL CONTACT

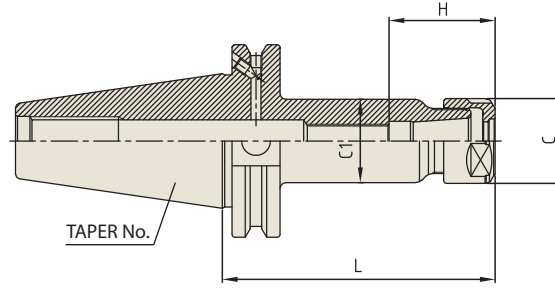
HSK : DIN69893/ISO12164-1

STRAIGHT-K

SK COLLET, SK NUT, WRENCH

SK SLIM CHUCK

CAT



ASME B5.50-2009- CAT



Collet, Nut and Wrench
Refer to page 151-154

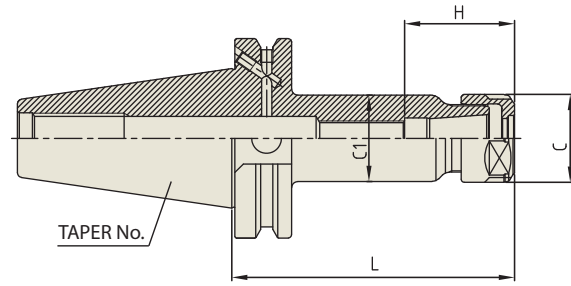


Unit : inch

EDP No.	TAPER No.	MODEL No.	CLAMPING RANGE	D	C	C1	H		COLLET SERIES	
							Min.	Max.		
TK020	40	CAT40 AD/B - SKA 6 - 3.54	0.036 - 0.236	3.540	0.787	0.768	0.827	1.378	SKC6	
TK021		CAT40 AD/B - SKA 6 - 4.72	0.036 - 0.236	4.720	0.787	0.768	0.827	1.378	SKC6	
TK022		CAT40 AD/B - SKA 6 - 5.90	0.036 - 0.236	5.900	0.787	0.768	0.827	1.378	SKC6	
TK023		CAT40 AD/B - SKA 10 - 3.54	0.068 - 0.394	3.540	1.102	1.083	1.181	1.969	SKC10	
TK024		CAT40 AD/B - SKA 10 - 4.72	0.068 - 0.394	4.720	1.102	1.083	1.181	1.969	SKC10	
TK025		CAT40 AD/B - SKA 10 - 5.90	0.068 - 0.394	5.900	1.102	1.083	1.181	1.969	SKC10	
TK026		CAT40 AD/B - SKA 13 - 3.54	0.108 - 0.512	3.540	1.299	1.299	1.220	2.559	SKC13	
TK027		CAT40 AD/B - SKA 13 - 4.72	0.108 - 0.512	4.720	1.299	1.299	1.220	2.559	SKC13	
TK028		CAT40 AD/B - SKA 13 - 5.90	0.108 - 0.512	5.900	1.299	1.299	1.220	2.559	SKC13	
TK029		CAT40 AD/B - SKA 16 - 3.54	0.108 - 0.630	3.540	1.575	1.575	1.772	2.756	SKC16	
TK030		CAT40 AD/B - SKA 16 - 4.72	0.108 - 0.630	4.720	1.575	1.575	1.772	2.756	SKC16	
TK031		CAT40 AD/B - SKA 16 - 5.90	0.108 - 0.630	5.900	1.575	1.575	1.772	2.756	SKC16	
TK032		CAT40 AD/B - SKA 20 - 3.54	0.138 - 0.787	3.540	1.909	1.909	1.850	3.150	SKC20	
TK033		CAT40 AD/B - SKA 20 - 4.72	0.138 - 0.787	4.720	1.909	1.909	1.850	3.150	SKC20	
TK034		CAT40 AD/B - SKA 20 - 5.90	0.138 - 0.787	5.900	1.909	1.909	1.850	3.150	SKC20	
TK035		CAT40 AD/B - SKA 25 - 3.54	0.630 - 1.000	3.540	2.165	2.165	2.165	3.346	SKC25	
TK036		CAT40 AD/B - SKA 25 - 4.72	0.630 - 1.000	4.720	2.165	2.165	2.165	3.346	SKC25	
TK037		CAT40 AD/B - SKA 25 - 5.90	0.630 - 1.000	5.900	2.165	2.165	2.165	3.346	SKC25	
TL020		50	CAT50 AD/B - SKA 6 - 4.13	0.036 - 0.236	4.130	0.787	0.768	0.827	1.378	SKC6
TL021			CAT50 AD/B - SKA 6 - 5.31	0.036 - 0.236	5.310	0.787	0.768	0.827	1.378	SKC6
TL022	CAT50 AD/B - SKA 6 - 6.50		0.036 - 0.236	6.500	0.787	0.768	0.827	1.378	SKC6	
TL023	CAT50 AD/B - SKA 6 - 7.68		0.036 - 0.236	7.680	0.787	0.768	0.827	1.378	SKC6	
TL024	CAT50 AD/B - SKA 10 - 4.13		0.068 - 0.394	4.130	1.102	1.083	1.181	1.969	SKC10	
TL025	CAT50 AD/B - SKA 10 - 5.31		0.068 - 0.394	5.310	1.102	1.083	1.181	1.969	SKC10	
TL026	CAT50 AD/B - SKA 10 - 6.50		0.068 - 0.394	6.500	1.102	1.083	1.181	1.969	SKC10	
TL027	CAT50 AD/B - SKA 10 - 7.68		0.068 - 0.394	7.680	1.102	1.083	1.181	1.969	SKC10	
TL028	CAT50 AD/B - SKA 13 - 4.13		0.108 - 0.512	4.130	1.299	1.299	1.220	2.559	SKC13	
TL029	CAT50 AD/B - SKA 13 - 5.31		0.108 - 0.512	5.310	1.299	1.299	1.220	2.559	SKC13	
TL030	CAT50 AD/B - SKA 13 - 6.50		0.108 - 0.512	6.500	1.299	1.299	1.220	2.559	SKC13	
TL031	CAT50 AD/B - SKA 13 - 7.68		0.108 - 0.512	7.680	1.299	1.299	1.220	2.559	SKC13	
TL032	CAT50 AD/B - SKA 16 - 4.13		0.108 - 0.630	4.130	1.575	1.575	1.772	2.362	SKC16	
TL033	CAT50 AD/B - SKA 16 - 5.31		0.108 - 0.630	5.310	1.575	1.575	1.772	2.756	SKC16	
TL034	CAT50 AD/B - SKA 16 - 6.50		0.108 - 0.630	6.500	1.575	1.575	1.772	2.756	SKC16	
TL035	CAT50 AD/B - SKA 16 - 7.68		0.108 - 0.630	7.680	1.575	1.575	1.772	2.756	SKC16	
TL036	CAT50 AD/B - SKA 20 - 4.13		0.138 - 0.787	4.130	1.909	1.909	1.850	3.150	SKC20	
TL037	CAT50 AD/B - SKA 20 - 5.31		0.138 - 0.787	5.310	1.909	1.909	1.850	3.150	SKC20	
TL038	CAT50 AD/B - SKA 20 - 6.50		0.138 - 0.787	6.500	1.909	1.909	1.850	3.150	SKC20	
TL039	CAT50 AD/B - SKA 20 - 7.68		0.138 - 0.787	7.680	1.909	1.909	1.850	3.150	SKC20	
TL040	CAT50 AD/B - SKA 25 - 4.13		0.630 - 1.000	4.130	2.165	2.165	2.165	3.346	SKC25	
TL041	CAT50 AD/B - SKA 25 - 5.31		0.630 - 1.000	5.310	2.165	2.165	2.165	3.346	SKC25	
TL042	CAT50 AD/B - SKA 25 - 6.50		0.630 - 1.000	6.500	2.165	2.165	2.165	3.346	SKC25	
TL043	CAT50 AD/B - SKA 25 - 7.68	0.630 - 1.000	7.680	2.165	2.165	2.165	3.346	SKC25		

DUAL CONTACT SK SLIM CHUCK

CCT



CCT (CAT DUAL CONTACT)



Collet, Nut and Wrench
Refer to page 151-154

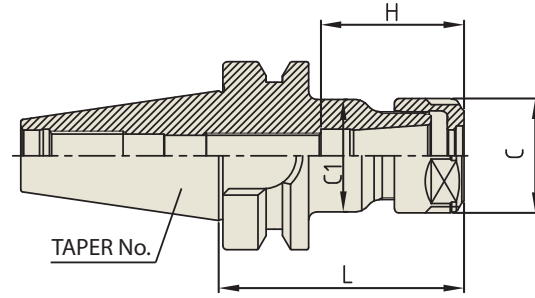


Unit : inch

EDP No.	TAPER No.	MODEL No.	CLAMPING RANGE	D	C	C1	H		COLLET SERIES	
							Min.	Max.		
TB020	40	CCT40 AD/B - SKA 6 - 3.54	0.036 - 0.236	3.540	0.787	0.768	0.827	1.378	SKC6	
TB021		CCT40 AD/B - SKA 6 - 4.72	0.036 - 0.236	4.720	0.787	0.768	0.827	1.378	SKC6	
TB022		CCT40 AD/B - SKA 6 - 5.90	0.036 - 0.236	5.900	0.787	0.768	0.827	1.378	SKC6	
TB023		CCT40 AD/B - SKA 10 - 3.54	0.068 - 0.394	3.540	1.102	1.083	1.181	1.969	SKC10	
TB024		CCT40 AD/B - SKA 10 - 4.72	0.068 - 0.394	4.720	1.102	1.083	1.181	1.969	SKC10	
TB025		CCT40 AD/B - SKA 10 - 5.90	0.068 - 0.394	5.900	1.102	1.083	1.181	1.969	SKC10	
TB026		CCT40 AD/B - SKA 13 - 3.54	0.108 - 0.512	3.540	1.299	1.299	1.220	2.559	SKC13	
TB027		CCT40 AD/B - SKA 13 - 4.72	0.108 - 0.512	4.720	1.299	1.299	1.220	2.559	SKC13	
TB028		CCT40 AD/B - SKA 13 - 5.90	0.108 - 0.512	5.900	1.299	1.299	1.220	2.559	SKC13	
TB029		CCT40 AD/B - SKA 16 - 3.54	0.108 - 0.630	3.540	1.575	1.575	1.772	2.756	SKC16	
TB030		CCT40 AD/B - SKA 16 - 4.72	0.108 - 0.630	4.720	1.575	1.575	1.772	2.756	SKC16	
TB031		CCT40 AD/B - SKA 16 - 5.90	0.108 - 0.630	5.900	1.575	1.575	1.772	2.756	SKC16	
TB032		CCT40 AD/B - SKA 20 - 3.54	0.138 - 0.787	3.540	1.909	1.909	1.850	3.150	SKC20	
TB033		CCT40 AD/B - SKA 20 - 4.72	0.138 - 0.787	4.720	1.909	1.909	1.850	3.150	SKC20	
TB034		CCT40 AD/B - SKA 20 - 5.90	0.138 - 0.787	5.900	1.909	1.909	1.850	3.150	SKC20	
TB035		CCT40 AD/B - SKA 25 - 3.54	0.630 - 1.000	3.540	2.165	2.165	2.165	3.346	SKC25	
TB036		CCT40 AD/B - SKA 25 - 4.72	0.630 - 1.000	4.720	2.165	2.165	2.165	3.346	SKC25	
TB037		CCT40 AD/B - SKA 25 - 5.90	0.630 - 1.000	5.900	2.165	2.165	2.165	3.346	SKC25	
TC020		50	CCT50 AD/B - SKA 6 - 4.13	0.036 - 0.236	4.130	0.787	0.768	0.827	1.378	SKC6
TC021			CCT50 AD/B - SKA 6 - 5.31	0.036 - 0.236	5.310	0.787	0.768	0.827	1.378	SKC6
TC022	CCT50 AD/B - SKA 6 - 6.50		0.036 - 0.236	6.500	0.787	0.768	0.827	1.378	SKC6	
TC023	CCT50 AD/B - SKA 6 - 7.68		0.036 - 0.236	7.680	0.787	0.768	0.827	1.378	SKC6	
TC024	CCT50 AD/B - SKA 10 - 4.13		0.068 - 0.394	4.130	1.102	1.083	1.181	1.969	SKC10	
TC025	CCT50 AD/B - SKA 10 - 5.31		0.068 - 0.394	5.310	1.102	1.083	1.181	1.969	SKC10	
TC026	CCT50 AD/B - SKA 10 - 6.50		0.068 - 0.394	6.500	1.102	1.083	1.181	1.969	SKC10	
TC027	CCT50 AD/B - SKA 10 - 7.68		0.068 - 0.394	7.680	1.102	1.083	1.181	1.969	SKC10	
TC028	CCT50 AD/B - SKA 13 - 4.13		0.108 - 0.512	4.130	1.299	1.299	1.220	2.559	SKC13	
TC029	CCT50 AD/B - SKA 13 - 5.31		0.108 - 0.512	5.310	1.299	1.299	1.220	2.559	SKC13	
TC030	CCT50 AD/B - SKA 13 - 6.50		0.108 - 0.512	6.500	1.299	1.299	1.220	2.559	SKC13	
TC031	CCT50 AD/B - SKA 13 - 7.68		0.108 - 0.512	7.680	1.299	1.299	1.220	2.559	SKC13	
TC032	CCT50 AD/B - SKA 16 - 4.13		0.108 - 0.630	4.130	1.575	1.575	1.772	2.362	SKC16	
TC033	CCT50 AD/B - SKA 16 - 5.31		0.108 - 0.630	5.310	1.575	1.575	1.772	2.756	SKC16	
TC034	CCT50 AD/B - SKA 16 - 6.50		0.108 - 0.630	6.500	1.575	1.575	1.772	2.756	SKC16	
TC035	CCT50 AD/B - SKA 16 - 7.68		0.108 - 0.630	7.680	1.575	1.575	1.772	2.756	SKC16	
TC036	CCT50 AD/B - SKA 20 - 4.13		0.138 - 0.787	4.130	1.909	1.909	1.850	3.150	SKC20	
TC037	CCT50 AD/B - SKA 20 - 5.31		0.138 - 0.787	5.310	1.909	1.909	1.850	3.150	SKC20	
TC038	CCT50 AD/B - SKA 20 - 6.50		0.138 - 0.787	6.500	1.909	1.909	1.850	3.150	SKC20	
TC039	CCT50 AD/B - SKA 20 - 7.68		0.138 - 0.787	7.680	1.909	1.909	1.850	3.150	SKC20	
TC040	CCT50 AD/B - SKA 25 - 4.13		0.630 - 1.000	4.130	2.165	2.165	2.165	3.346	SKC25	
TC041	CCT50 AD/B - SKA 25 - 5.31		0.630 - 1.000	5.310	2.165	2.165	2.165	3.346	SKC25	
TC042	CCT50 AD/B - SKA 25 - 6.50		0.630 - 1.000	6.500	2.165	2.165	2.165	3.346	SKC25	
TC043	CCT50 AD/B - SKA 25 - 7.68	0.630 - 1.000	7.680	2.165	2.165	2.165	3.346	SKC25		

DUAL CONTACT SK SLIM CHUCK

CBT



CBT (BT DUAL CONTACT)



Collet, Nut and Wrench
Refer to page 151-154

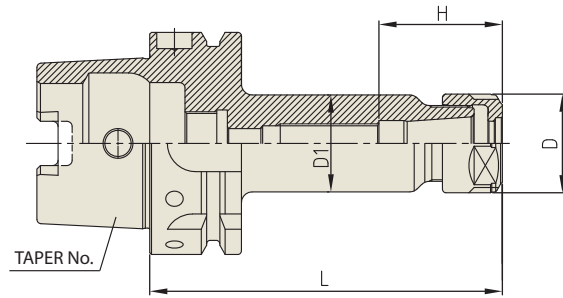


Unit : mm

EDP No.	TAPER No.	MODEL No.	CLAMPING RANGE	D	C	C1	H		COLLET SERIES
							Min.	Max.	
TD100	30	CBT30 - SKA 6 - 60	0.90 - 6.00	60	20	19.5	21	35	SKC6
TD102		CBT30 - SKA 6 - 90	0.90 - 6.00	90	20	19.5	21	35	SKC6
TD104		CBT30 - SKA 10 - 60	1.75 - 10.00	60	28	27.5	30	50	SKC10
TD106		CBT30 - SKA 10 - 90	1.75 - 10.00	90	28	27.5	30	50	SKC10
TD108		CBT30 - SKA 13 - 60	2.75 - 13.00	60	33	33	31	65	SKC13
TD110		CBT30 - SKA 13 - 90	2.75 - 13.00	90	33	33	31	65	SKC13
TD112		CBT30 - SKA 16 - 60	2.75 - 16.00	60	40	40	45	60	SKC16
TD114		CBT30 - SKA 16 - 90	2.75 - 16.00	90	40	40	45	60	SKC16
TD116		CBT30 - SKA 20 - 60	4.00 - 20.00	60	48.5	48.5	65	75	SKC20
TD118		CBT30 - SKA 20 - 90	4.00 - 20.00	90	48.5	48.5	65	75	SKC20
TD120		CBT30 - SKA 25 - 90	16.00 - 25.40	90	55	55	55	75	SKC25
TE100		40	CBT40 - SKA 6 - 90	0.90 - 6.00	90	20	19.5	21	35
TE102	CBT40 - SKA 6 - 120		0.90 - 6.00	120	20	19.5	21	35	SKC6
TE104	CBT40 - SKA 6 - 150		0.90 - 6.00	150	20	19.5	21	35	SKC6
TE106	CBT40 - SKA 10 - 90		1.75 - 10.00	90	28	27.5	30	50	SKC10
TE108	CBT40 - SKA 10 - 120		1.75 - 10.00	120	28	27.5	30	50	SKC10
TE110	CBT40 - SKA 10 - 150		1.75 - 10.00	150	28	27.5	30	50	SKC10
TE112	CBT40 - SKA 13 - 90		2.75 - 13.00	90	33	33	31	65	SKC13
TE114	CBT40 - SKA 13 - 120		2.75 - 13.00	120	33	33	31	65	SKC13
TE116	CBT40 - SKA 13 - 150		2.75 - 13.00	150	33	40	31	65	SKC13
TE118	CBT40 - SKA 16 - 90		2.75 - 16.00	90	40	40	45	70	SKC16
TE121	CBT40 - SKA 16 - 120		2.75 - 16.00	120	40	40	45	70	SKC16
TE122	CBT40 - SKA 16 - 150		2.75 - 16.00	150	40	40	45	70	SKC16
TE124	CBT40 - SKA 20 - 90		4.00 - 20.00	90	48.5	48.5	47	80	SKC20
TE126	CBT40 - SKA 20 - 120		4.00 - 20.00	120	48.5	48.5	47	80	SKC20
TE128	CBT40 - SKA 20 - 150		4.00 - 20.00	150	48.5	48.5	47	80	SKC20
TE130	CBT40 - SKA 25 - 90		16.00 - 25.40	90	55	55	55	85	SKC25
TE132	CBT40 - SKA 25 - 120	16.00 - 25.40	120	55	55	55	85	SKC25	
TE134	CBT40 - SKA 25 - 150	16.00 - 25.40	150	55	55	55	85	SKC25	

DUAL CONTACT SK SLIM CHUCK

HSK



**DIN 69893/
ISO 12164-1-HSK FORM A**



Collet, Nut and Wrench
Refer to page 151-154

DIN
69893-
HSK

2.5G

25,000
RPM

AD

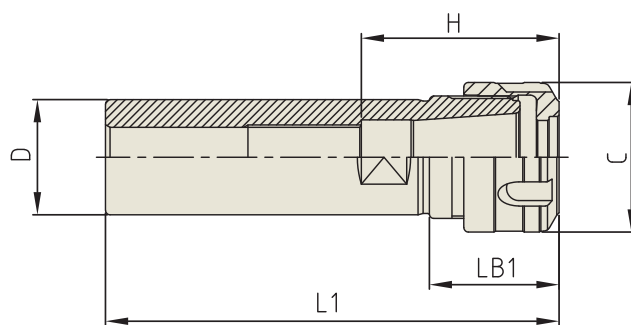
Unit : mm

EDP No.	TAPER No.	MODEL No.	CLAMPING RANGE	D	C	C1	H		COLLET SERIES
							Min.	Max.	
TQ100	63A	HSK63A - SKA 6 - 100	0.90 - 6.00	20	19.5	100	21	35	SKC6
TQ102		HSK63A - SKA 10 - 100	1.75 - 10.00	28	27.5	100	30	50	SKC10
TQ104		HSK63A - SKA 13 - 100	2.75 - 13.00	33	33	100	31	65	SKC13
TQ106		HSK63A - SKA 16 - 120	2.75 - 16.00	40	40	120	45	70	SKC16
TQ108		HSK63A - SKA 20 - 120	4.00 - 20.00	48.5	48.5	120	65	75	SKC20
TQ110		HSK63A - SKA 25 - 150	16.00 - 25.40	55	55	150	55	85	SKC25
TR100	100A	HSK100A - SKA 6 - 120	0.90 - 6.00	20	19.5	120	21	35	SKC6
TR102		HSK100A - SKA 10 - 150	1.75 - 10.00	28	27.5	150	30	50	SKC10
TR104		HSK100A - SKA 13 - 150	2.75 - 13.00	33	40	150	31	65	SKC13
TR106		HSK100A - SKA 16 - 150	2.75 - 16.00	40	40	150	45	70	SKC16
TR108		HSK100A - SKA 20 - 150	4.00 - 20.00	48.5	48.5	150	65	75	SKC20
TR110		HSK100A - SKA 25 - 160	16.00 - 25.40	55	55	160	55	85	SKC25

Hydraulic Chuck
Shrink Fit Holder
End Mill Holder & Side Lock Arbor
ER Collet Chuck
SK Slim Chuck
TG Collet Chuck
Power Milling Chuck
Morse Taper Adapter
Tapping Chuck
One Step Tapping Chuck
Shell Mill Arbor
MC Drill Chuck
Jacobs Taper Arbor
Stub Arbor
Slitting Saw Arbor
Pull Stud & Tool Clamp

STRAIGHT SK SLIM CHUCK

K



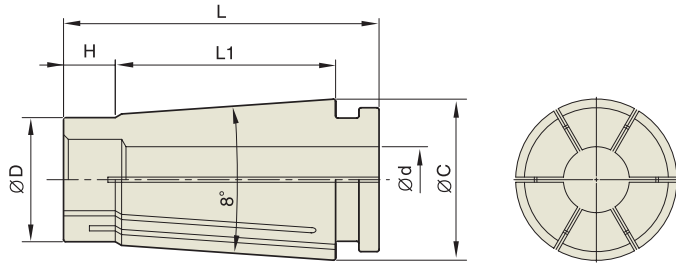
Collet, Nut and Wrench
Refer to page 151-154

STRAIGHT-K

Unit : inch

EDP No.	TAPER No.	MODEL No.	CLAMPING RANGE	D	C	L	H		COLLET SERIES
							Min.	Max.	
TS020	K3/4	K3/4 - SKA 6 - 100	0.035 - 0.236	0.750	0.787	30.937	0.827	1.378	SKC6
TS021		K3/4 - SKA 6 - 140	0.035 - 0.236	0.750	0.787	50.512	0.827	1.378	SKC6
TS022		K3/4 - SKA 10 - 100	0.069 - 0.394	0.750	1.102	3.937	1.181	1.969	SKC10
TS023		K3/4 - SKA 10 - 140	0.069 - 0.394	0.750	1.102	5.512	1.181	1.969	SKC10
TS030	K1	K1 - SKA 6 - 100	0.035 - 0.236	0.787	30.937	0.827	0.827	1.378	SKC6
TS031		K1 - SKA 6 - 140	0.035 - 0.236	0.787	50.512	0.827	0.827	1.378	SKC6
TS032		K1 - SKA 10 - 100	0.069 - 0.394	1.102	3.937	1.181	1.181	1.969	SKC10
TS033		K1 - SKA 10 - 150	0.069 - 0.394	1.102	5.906	1.181	1.181	1.969	SKC10
TS034		K1 - SKA 13 - 100	0.108 - 0.512	1.299	3.937	1.22	1.220	2.559	SKC13
TS035		K1 - SKA 13 - 150	0.108 - 0.512	1.299	5.906	1.22	1.220	2.559	SKC13
TS040	K 1 1/4	K1 1/4 - SKA 10 - 100	0.069 - 0.394	1.250	1.102	3.937	1.181	1.969	SKC10
TS041		K1 1/4 - SKA 10 - 150	0.069 - 0.394	1.250	1.102	5.906	1.181	1.969	SKC10
TS042		K1 1/4 - SKA 13 - 100	0.108 - 0.512	1.250	1.299	3.937	1.220	2.559	SKC13
TS043		K1 1/4 - SKA 13 - 150	0.108 - 0.512	1.250	1.299	5.906	1.220	2.559	SKC13
TS044		K1 1/4 - SKA 16 - 100	0.108 - 0.630	1.250	1.575	3.937	1.575	2.756	SKC16
TS045		K1 1/4 - SKA 16 - 150	0.108 - 0.630	1.250	1.575	5.906	1.575	2.756	SKC16
TS046		K1 1/4 - SKA 20 - 100	0.138 - 0.787	1.250	1.909	3.937	1.850	3.150	SKC20
TS047		K1 1/4 - SKA 20 - 150	0.138 - 0.787	1.250	1.909	5.906	1.850	3.150	SKC20

METRIC TYPE



◇ T.I.R of standard collet is 5Um at 3D.

Unit : mm

EDP No.	TYPE	MODEL No.	CLAMPING RANGE (d)	EDP No.	TYPE	MODEL No.	CLAMPING RANGE (d)	EDP No.	TYPE	MODEL No.	CLAMPING RANGE (d)
306010	SKC6	SKC6 - 1	0.9 - 1.0	310020	SKC10	SKC10 - 2	1.75 - 2.0	313030	SKC13	SKC13 - 3	2.75 - 3.0
306015		SKC6 - 1.5	1.3 - 1.5	310025		SKC10 - 2.5	2.25 - 2.5	313035		SKC13 - 3.5	3.0 - 3.5
306020		SKC6 - 2	1.8 - 2.0	310030		SKC10 - 3	2.75 - 3.0	313040		SKC13 - 4	3.5 - 4.0
306025		SKC6 - 2.5	2.3 - 2.5	310035		SKC10 - 3.5	3.0 - 3.5	313045		SKC13 - 4.5	4.0 - 4.5
306030		SKC6 - 3	2.8 - 3.0	310040		SKC10 - 4	3.5 - 4.0	313050		SKC13 - 5	4.5 - 5.0
306035		SKC6 - 3.5	3.0 - 3.5	310045		SKC10 - 4.5	4.0 - 4.5	313055		SKC13 - 5.5	5.0 - 5.5
306040		SKC6 - 4	3.5 - 4.0	310050		SKC10 - 5	4.5 - 5.0	313060		SKC13 - 6	5.5 - 6.0
306045		SKC6 - 4.5	4.0 - 4.5	310055		SKC10 - 5.5	5.0 - 5.5	313065		SKC13 - 6.5	6.0 - 6.5
306050		SKC6 - 5	4.5 - 5.0	310060		SKC10 - 6	5.5 - 6.0	313070		SKC13 - 7	6.5 - 7.0
306055		SKC6 - 5.5	5.0 - 5.5	310065		SKC10 - 6.5	6.0 - 6.5	313075		SKC13 - 7.5	7.0 - 7.5
306060	SKC6 - 6	5.5 - 6.0	310070	SKC10 - 7	6.5 - 7.0	313080	SKC13 - 8	7.5 - 8.0			
			310075	SKC10 - 7.5	7.0 - 7.5	313085	SKC13 - 8.5	8.0 - 8.5			
			310080	SKC10 - 8	7.5 - 8.0	313090	SKC13 - 9	8.5 - 9.0			
			310085	SKC10 - 8.5	8.0 - 8.5	313095	SKC13 - 9.5	9.0 - 9.5			
			310090	SKC10 - 9	8.5 - 9.0	313100	SKC13 - 10	9.5 - 10.0			
			310095	SKC10 - 9.5	9.0 - 9.5	313105	SKC13 - 10.5	10.0 - 10.5			
			310100	SKC10 - 10	9.5 - 10.0	313110	SKC13 - 11	10.5 - 11.0			
						313115	SKC13 - 11.5	11.0 - 11.5			
						313120	SKC13 - 12	11.5 - 12.0			
						313125	SKC13 - 12.5	12.0 - 12.5			
						313130	SKC13 - 13	12.5 - 13.0			

SKC COLLET Dimension

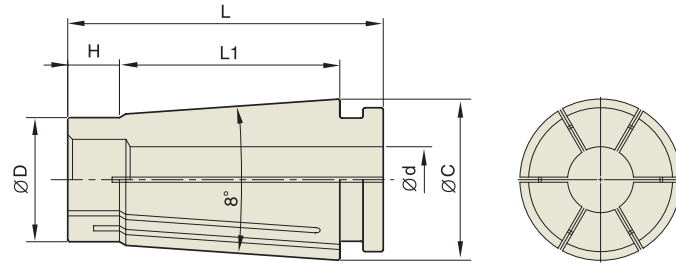
Unit : mm

TYPE	D	L	L1	H	C
SKC6	7.5	25.7	17.6	3.8	10
SKC10	12	32	21.3	5	15
SKC13	15.4	39	28.3	5.5	20
SKC16	18.8	46	32	8	24
SKC20	22.5	54.2	41	8	29
SKC25	28.9	58.2	43	8.5	35

SK COLLET

SKC

METRIC TYPE

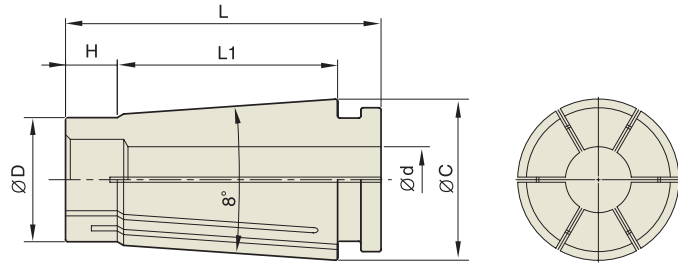


◇ T.I.R of standard collet is 5Um at 3D.

Unit : mm

EDP No.	TYPE	MODEL No.	CLAMPING RANGE (d)	EDP No.	TYPE	MODEL No.	CLAMPING RANGE (d)	EDP No.	TYPE	MODEL No.	CLAMPING RANGE (d)
316030	SKC16	SKC16 - 3	2.75 - 3.0	323040	SKC20	SKC20 - 4	3.5 - 4.0	325165	SKC25	SKC25 - 16.5	16.0 - 16.5
316035		SKC16 - 3.5	3.0 - 3.5	323045		SKC20 - 4.5	4.0 - 4.5	325170		SKC25 - 17	16.5 - 17.0
316040		SKC16 - 4	3.5 - 4.0	323050		SKC20 - 5	4.5 - 5.0	325175		SKC25 - 17.5	17.0 - 17.5
316045		SKC16 - 4.5	4.0 - 4.5	323055		SKC20 - 5.5	5.0 - 5.5	325180		SKC25 - 18	17.5 - 18.0
316050		SKC16 - 5	4.5 - 5.0	323060		SKC20 - 6	5.5 - 6.0	325185		SKC25 - 18.5	18.0 - 18.5
316055		SKC16 - 5.5	5.0 - 5.5	323065		SKC20 - 6.5	6.0 - 6.5	325190		SKC25 - 19	18.5 - 19.0
316060		SKC16 - 6	5.5 - 6.0	323070		SKC20 - 7	6.5 - 7.0	325195		SKC25 - 19.5	19.0 - 19.5
316605		SKC16 - 6.5	6.0 - 6.5	323075		SKC20 - 7.5	7.0 - 7.5	325200		SKC25 - 20	19.5 - 20.0
316070		SKC16 - 7	6.5 - 7.0	323080		SKC20 - 8	7.5 - 8.0	325205		SKC25 - 20.5	20.0 - 20.5
316075		SKC16 - 7.5	7.0 - 7.5	323085		SKC20 - 8.5	8.0 - 8.5	325210		SKC25 - 21	20.5 - 21.0
316080		SKC16 - 8	7.5 - 8.0	323090		SKC20 - 9	8.5 - 9.0	325215		SKC25 - 21.5	21.0 - 21.5
316085		SKC16 - 8.5	8.0 - 8.5	323095		SKC20 - 9.5	9.0 - 9.5	325220		SKC25 - 22	21.5 - 22.0
316090		SKC16 - 9	8.5 - 9.0	323100		SKC20 - 10	9.5 - 10.0	325225		SKC25 - 22.5	22.0 - 22.5
316095		SKC16 - 9.5	9.0 - 9.5	323105		SKC20 - 10.5	10.0 - 10.5	325230		SKC25 - 23	22.5 - 23.0
316100		SKC16 - 10	9.5 - 10.0	323110		SKC20 - 11	10.5 - 11.0	325235		SKC25 - 23.5	23.0 - 23.5
316105		SKC16 - 10.5	10.0 - 10.5	323115		SKC20 - 11.5	11.0 - 11.5	325240		SKC25 - 24	23.5 - 24.0
316110	SKC16 - 11	10.5 - 11.0	323120	SKC20 - 12	11.5 - 12.0	325245	SKC25 - 24.5	24.0 - 24.5			
316115	SKC16 - 11.5	10.0 - 11.5	323125	SKC20 - 12.5	12.0 - 12.5	325250	SKC25 - 25	24.5 - 25.0			
316120	SKC16 - 12	11.5 - 12.0	323130	SKC20 - 13	12.5 - 13.0	325254	SKC25 - 25.4	25.0 - 25.4			
316125	SKC16 - 12.5	12.0 - 12.5	323135	SKC20 - 13.5	13.0 - 13.5						
316130	SKC16 - 13	12.5 - 13.0	323140	SKC20 - 14	13.5 - 14.0						
316135	SKC16 - 13.5	13.0 - 13.5	323145	SKC20 - 14.5	14.0 - 14.5						
316140	SKC16 - 14	13.5 - 14.0	323150	SKC20 - 15	14.5 - 15.0						
316145	SKC16 - 14.5	14.0 - 14.5	323155	SKC20 - 15.5	15.0 - 15.5						
316150	SKC16 - 15	14.5 - 15.0	323160	SKC20 - 16	15.5 - 16.0						
316155	SKC16 - 15.5	15.0 - 15.5	323165	SKC20 - 16.5	16.0 - 16.5						
316160	SKC16 - 16	15.5 - 16.0	323170	SKC20 - 17	16.5 - 17.0						
			323175	SKC20 - 17.5	17.0 - 17.5						
			323180	SKC20 - 18	17.5 - 18.0						
			323185	SKC20 - 18.5	18.0 - 18.5						
			323190	SKC20 - 19	18.5 - 19.0						
			323195	SKC20 - 19.5	19.0 - 19.5						
			323200	SKC20 - 20.0	19.5 - 20.0						

INCH TYPE



◇ T.I.R of standard collet is 5Um at 3D.

Unit : inch

EDP No.	TYPE	MODEL No.	CLAMPING RANGE (d)
3060108A	SKC6	SKC6 - 1/8A	0.125
3060316A		SKC6 - 3/16A	0.187

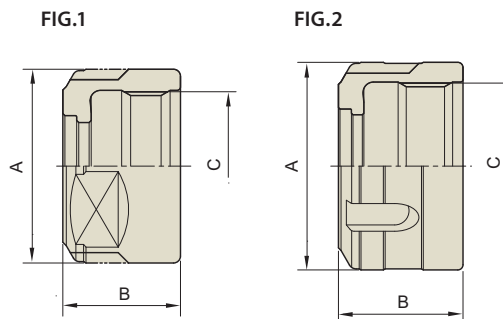
EDP No.	TYPE	MODEL No.	CLAMPING RANGE (d)
3100108A	SKC10	SKC10 - 1/8A	0.125
3100316A		SKC10 - 3/16A	0.187
3100104A		SKC10 - 1/4A	0.250
3100516A		SKC10 - 5/16A	0.312
3100308A		SKC10 - 3/8A	0.375

EDP No.	TYPE	MODEL No.	CLAMPING RANGE (d)
3160108A	SKC16	SKC16 - 1/8A	0.125
3160316A		SKC16 - 3/16A	0.187
3160104A		SKC16 - 1/4A	0.250
3160516A		SKC16 - 5/16A	0.312
3160308A		SKC16 - 3/8A	0.375
3160716A		SKC16 - 7/16A	0.437
3160102A		SKC16 - 1/2A	0.500
3160916A		SKC16 - 9/16A	0.562
3160508A		SKC16 - 5/8A	0.625

EDP No.	TYPE	MODEL No.	CLAMPING RANGE (d)
3250316A	SKC25	SKC25 - 3/16A	0.187
3250104A		SKC25 - 1/4A	0.250
3250516A		SKC25 - 5/16A	0.312
3250308A		SKC25 - 3/8A	0.375
3250716A		SKC25 - 7/16A	0.437
3250102A		SKC25 - 1/2A	0.500
3250508A		SKC25 - 5/8A	0.625
3250304A		SKC25 - 3/4A	0.750

SK NUT

PART



Unit : mm

EDP No.	TYPE	A	B	C	FIG.
ZS106	SKN6	20	15	M15.5 × 1.0	1
ZS110	SKN10	28	17	M21.5 × 1.0	1
ZS113	SKN13	33	21	M27 × 1.0	2
ZS116	SKN16	40	24	M32 × 1.5	2
ZS120	SKN20	48.5	24	M40 × 1.0	2
ZS125	SKN25	55	30	M42 × 1.5	2

SK WRENCH



EDP No.	TYPE	FIG.
ZS206	SK6	1
ZS210	SK10	1
ZS213	SK13	1
ZS216	SK16	2
ZS220	SK20	2
ZS225	SK25	2



ROTARY TOOLING

TG COLLET CHUCK

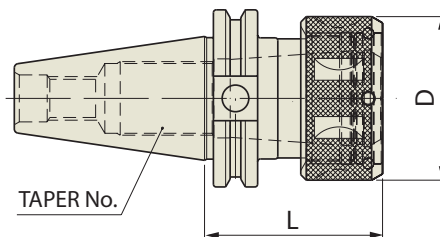
STANDARD, EXTENDED

CAT : ASME B5.50-2009

BT : JIS B6339/MAS 403-BT/ISO7388-2

TG NUT, WRENCH, STOP SCREW





ASME B5.50-2009-CAT

Wrenches
Refer to page 158



TG 75

• STANDARD

Unit : inch

EDP No.	TAPER No.	MODEL No.	CLAMPING RANGE	L	D	COLLET SERIES
VK012	40	CAT40 - TG 75 - 2.50	0.047 - 0.750	2.50	1.81	TG 75

• EXTENDED

Unit : inch

EDP No.	TAPER No.	MODEL No.	CLAMPING RANGE	L	D	COLLET SERIES
VK312	40	CAT40 - TG 75 - 3.00	0.047 - 0.750	3.00	1.81	TG 75

TG 100

• STANDARD

Unit : inch

EDP No.	TAPER No.	MODEL No.	CLAMPING RANGE	L	D	COLLET SERIES
OK014	40	CAT40 - TG 100 - 3.25	0.063 - 1.000	3.25	2.36	TG 100
OL014	50	CAT50 - TG 100 - 3.25	0.063 - 1.000	3.25	2.36	TG 100

• EXTENDED

Unit : inch

EDP No.	TAPER No.	MODEL No.	CLAMPING RANGE	L	D	COLLET SERIES
OK314	40	CAT40 - TG 100 - 4.50	0.063 - 1.000	4.50	2.36	TG 100
OL314	50	CAT50 - TG 100 - 5.50	0.063 - 1.000	5.50	2.36	TG 100

TG 150

• STANDARD

Unit : inch

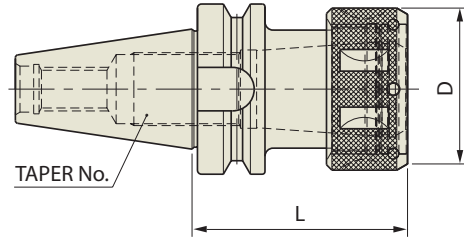
EDP No.	TAPER No.	MODEL No.	CLAMPING RANGE	L	D	COLLET SERIES
UL052	50	CAT50 - TG 150 - 3.50	0.500 - 1.500	3.50	3.43	TG 150

• EXTENDED

Unit : inch

EDP No.	TAPER No.	MODEL No.	CLAMPING RANGE	L	D	COLLET SERIES
UL352	50	CAT50 - TG 150 - 6.00	0.500 - 1.500	6.00	3.43	TG 150

* TG Nut : Swiss made precision TG Nut



JIS B6339/MAS 403-BT



Wrenches
Refer to page 158



TG 75

• STANDARD

Unit : inch

EDP No.	TAPER No.	MODEL No.	CLAMPING RANGE	L	D	COLLET SERIES
VH012	40	BT40 - TG 75 - 3.00	0.047 - 0.750	3.00	1.81	TG 75

TG 100

• STANDARD

Unit : inch

EDP No.	TAPER No.	MODEL No.	CLAMPING RANGE	L	D	COLLET SERIES
OH014	40	BT40 - TG 100 - 3.50	0.063 - 1.000	3.50	2.36	TG 100
OI014	50	BT50 - TG100 - 3.50	0.063 - 1.000	3.50	2.36	TG 100

• EXTENDED

Unit : inch

EDP No.	TAPER No.	MODEL No.	CLAMPING RANGE	L	D	COLLET SERIES
OH314	40	BT40 - TG 100 - 5.50	0.063 - 1.000	5.50	2.36	TG 100
OI314	50	BT50 - TG 100 - 6.00	0.063 - 1.000	6.00	2.36	TG 100

TG 150

• STANDARD

Unit : inch

EDP No.	TAPER No.	MODEL No.	CLAMPING RANGE	L	D	COLLET SERIES
UI052	50	BT50 - TG 150 - 4.00	0.500 - 1.500	4.00	3.43	TG 150

• EXTENDED

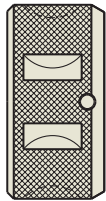
Unit : inch

EDP No.	TAPER No.	MODEL No.	CLAMPING RANGE	L	D	COLLET SERIES
UI352	50	BT50 - TG 150 - 6.00	0.500 - 1.500	6.00	3.43	TG 150

* TG Nut : Swiss made precision TG Nut

TG NUT

PART



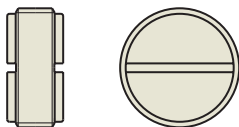
EDP No.	COLLET SERIES
ZZ084	TG 75 - NUT
ZZ081	TG 100 - NUT
ZZ087	TG 150 - NUT

TG WRENCH



EDP No.	COLLET SERIES
ZZ085	TG 75
ZZ082	TG 100
ZZ088	TG 150

TG STOP SCREW



EDP No.	COLLET SERIES
ZZ086	TG 75
ZZ083	TG 100
ZZ089	TG 150

Hydraulic Chuck
Shrink Fit Holder
End Mill Holder & Side Lock Arbor
ER Collet Chuck
SK Slim Chuck
TG Collet Chuck
Power Milling Chuck
Morse Taper Adapter
Tapping Chuck
One Step Tapping Chuck
Shell Mill Arbor
NC Drill Chuck
Jacobs Taper Arbor
Stub Arbor
Sitting Saw Arbor
Pull Stud & Tool Clamp



ROTARY TOOLING

POWER MILLING CHUCK

POWER MILLING CHUCK
HIGH SPEED POWER MILLING CHUCK

CAT : ASME B5.50-2009

CCT : CAT DUAL CONTACT

BT : JIS B6339/MAS 403-BT/ISO7388-2

CBT : BT DUAL CONTACT

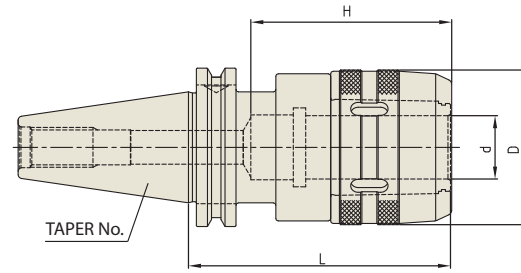
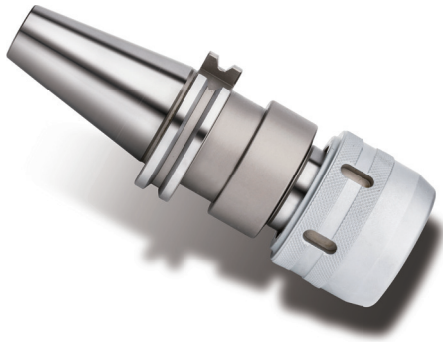
HSK : DIN69893/ISO12164-1

POWER MILLING CHUCK COLLET, WRENCH



POWER MILLING CHUCK

CAT



ASME B5.50-2009-CAT



Collet, Wrench
Refer to page 164



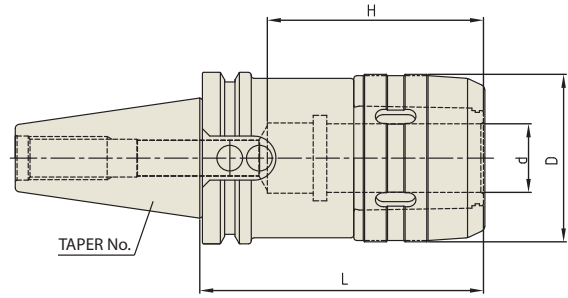
• STANDARD

Unit : inch

EDP No.	TAPER No.	MODEL No.	d	D	L	H
LK010	40	CAT40 - C 3/4 - 4.13	0.750	2.126	4.134	2.756
LK014		CAT40 - C 1.0 - 4.13	1.000	2.461	4.134	3.150
LK017		CAT40 - C 1 1/4 - 4.13	1.250	2.835	4.134	3.937
LL010	50	CAT50 - C 3/4 - 4.13	0.750	2.126	4.134	2.756
LL014		CAT50 - C 1.0 - 4.13	1.000	2.461	4.134	3.150
LL017		CAT50 - C 1 1/4 - 4.13	1.250	2.835	4.134	3.937

DUAL CONTACT HIGH SPEED POWER MILLING CHUCK

CCT



CCT (CAT DUAL CONTACT)



Collet, Wrench
Refer to page 164



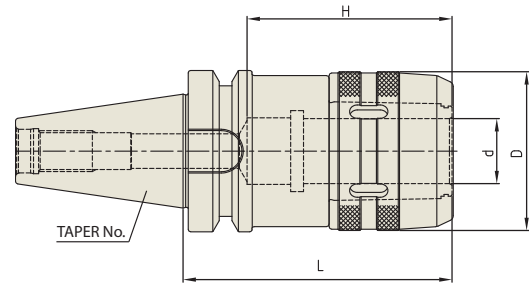
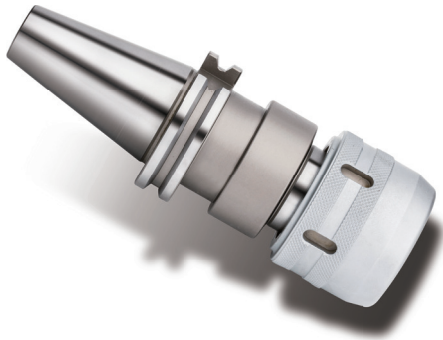
Unit : inch

EDP No.	TAPER No.	MODEL No.	d	D	L	H
LB020	40	CCT40 - C 3/4 - 4.13HS	0.750	2.126	4.134	2.756
LB022		CCT40 - C 1.0 - 4.13HS	1.000	2.461	4.134	3.150
LB024		CCT40 - C 1 1/4 - 4.13HS	1.250	2.835	4.134	3.937
LB026		CCT40 - C 1 1/4 - 5.31HS	1.250	2.835	5.310	3.937
LC020	50	CCT50 - C 3/4 - 4.13HS	0.750	2.126	4.134	2.756
LC022		CCT50 - C 1.0 - 4.13HS	1.000	2.461	4.134	3.150
LC024		CCT50 - C 1 1/4 - 4.13HS	1.250	2.835	4.134	3.937
LC026		CCT50 - C 1 1/4 - 5.31HS	1.250	2.835	5.311	3.937
LC028		CCT50 - C 1 1/4 - 6.50HS	1.250	2.835	6.500	3.937

Hydraulic Chuck
Shrink Fit Holder
End Mill Holder & Side Lock Arbor
ER Collet Chuck
SK Slim Chuck
TG Collet Chuck
Power Milling Chuck
Morse Taper Adapter
Tapping Chuck
One Step Tapping Chuck
Shell Mill Arbor
NC Drill Chuck
Jacobs Taper Arbor
Stub Arbor
Slitting Saw Arbor
Pull Stud & Tool Clamp

POWER MILLING CHUCK

BT



JIS B6339/MAS 403-BT



Collet, Wrench
Refer to page 164



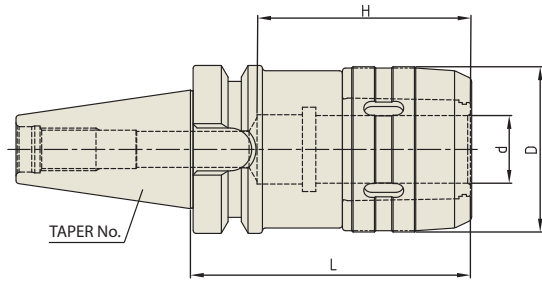
• STANDARD

Unit : inch

EDP No.	TAPER No.	MODEL No.	d	D	L	H
LH010	40	BT40 - C 3/4 - 3.56	0.750	2.126	3.560	2.756
LH014		BT40 - C 1.0 - 4.13	1.000	2.461	4.134	3.150
LH017		BT40 - C 1 1/4 - 4.13	1.250	2.835	4.134	3.937
LI010	50	BT50 - C 3/4 - 4.13	0.750	2.126	4.134	2.756
LI014		BT50 - C 1.0 - 4.13	1.000	2.461	4.134	3.150
LI017		BT50 - C 1 1/4 - 4.13	1.250	2.835	4.134	3.937

DUAL CONTACT HIGH SPEED POWER MILLING CHUCK

CBT



CBT (BT DUAL CONTACT)



Collet, Wrench
Refer to page 164

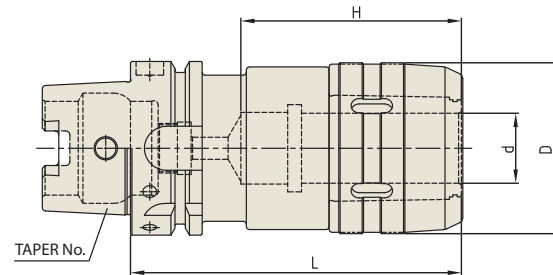


Unit : inch

EDP No.	TAPER No.	MODEL No.	d	D	L	H
LE020	40	CBT40 - C 3/4 - 3.15HS	0.750	2.126	3.150	2.756
LE022		CBT40 - C 3/4 - 4.13HS	0.750	2.126	4.134	2.756
LE024		CBT40 - C 1.0 - 4.13HS	1.000	2.461	4.134	3.150
LE026		CBT40 - C1 1/4 - 3.54HS	1.000	2.835	3.543	3.937
LE028		CBT40 - C1 1/4 - 4.13HS	1.250	2.835	4.134	3.937
LE030		CBT40 - C1 1/4 - 5.31HS	1.250	2.835	5.310	3.937

DUAL CONTACT HIGH SPEED POWER MILLING CHUCK

HSK



DIN69893/ISO12164-1 HSK FORM A



Collet, Wrench
Refer to page 164



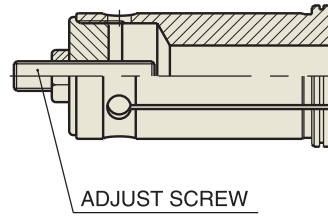
Unit : inch

EDP No.	TAPER No.	MODEL No.	d	D	L	H
LQ020	63A	HSK63A - C 3/4 - 4.13HS	0.750	2.126	4.130	2.756
LQ022		HSK63A - C 1.0 - 4.72HS	1.000	2.461	4.720	3.150
LQ024		HSK63A - C 1 1/4 - 5.31HS	1.250	2.835	5.310	3.937
LR020	100A	HSK100A - C 3/4 - 4.33HS	0.750	2.126	4.330	2.756
LR022		HSK100A - C 1.0 - 5.12HS	1.000	2.461	5.118	3.150
LR024		HSK100A - C1 1/4 - 5.31HS	1.250	2.835	5.315	3.937

Hydraulic Chuck
Shrink Fit Holder
End Mill Holder & Side Lock Arbor
ER Collet Chuck
SK Slim Chuck
TG Collet Chuck
Power Milling Chuck
Morse Taper Adapter
Tapping Chuck
One Step Tapping Chuck
Shell Mill Arbor
NC Drill Chuck
Jacobs Taper Arbor
Stub Arbor
Sitting Saw Arbor
Pull Stud & Tool Clamp

POWER MILLING CHUCK COLLET

PART

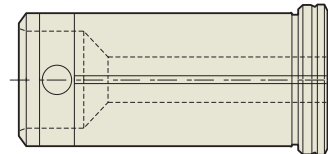


Unit : inch

EDP No.	TYPE	D
MZ002	C3/4	1/4
MZ003	C3/4	5/16
MZ004	C3/4	3/8
MZ006	C3/4	1/2
MZ008	C3/4	5/8

EDP No.	TYPE	D
MZ102	C1	1/4
MZ103	C1	5/16
MZ104	C1	3/8
MZ106	C1	1/2
MZ108	C1	5/8
MZ110	C1	3/4

EDP No.	TYPE	D
MZ302	C1 1/4	1/4
MZ303	C1 1/4	5/16
MZ304	C1 1/4	3/8
MZ306	C1 1/4	1/2
MZ308	C1 1/4	5/8
MZ310	C1 1/4	3/4
MZ312	C1 1/4	7/8
MZ314	C1 1/4	1.0



Unit : inch

EDP No.	TYPE	D
MY002	C3/4	1/4
MY003	C3/4	5/16
MY004	C3/4	3/8
MY006	C3/4	1/2
MY008	C3/4	5/8

EDP No.	TYPE	D
MY102	C1	1/4
MY103	C1	5/16
MY104	C1	3/8
MY106	C1	1/2
MY108	C1	5/8
MY110	C1	3/4

EDP No.	TYPE	D
MY302	C1 1/4	1/4
MY303	C1 1/4	5/16
MY304	C1 1/4	3/8
MY306	C1 1/4	1/2
MY308	C1 1/4	5/8
MY310	C1 1/4	3/4
MY312	C1 1/4	7/8
MY314	C1 1/4	1.0

WRENCH

Unit : inch



EDP No.	TYPE
ZZ056	C3/4
ZZ057	C1
ZZ058	C1 1/4



ROTARY TOOLING

MORSE TAPER ARBOR

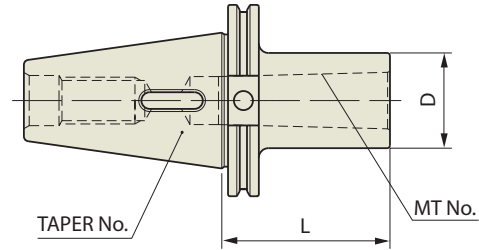


CAT : ASME B5.50-2009

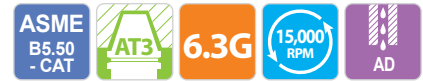
BT : JIS B6339/MAS 403-BT/ISO7388-2

MORSE TAPER ADAPTER

CAT



ASME B5.50-2009-CAT

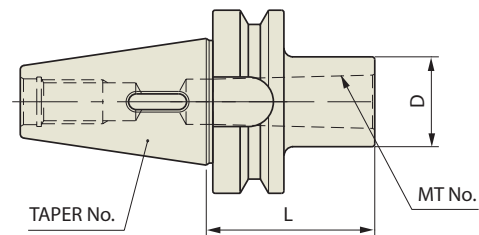


Unit : inch

EDP No.	TAPER No.	MODEL No.	MT No.	D	L
CK037	40	CAT40 - MTA 1 - 1.75	#1	1.00	1.75
CK038		CAT40 - MTA 2 - 2.00	#2	1.26	2.00
CK039		CAT40 - MTA 3 - 2.75	#3	1.75	2.75
CK040		CAT40 - MTA 4 - 3.63	#4	1.75	3.63
CL038	50	CAT50 - MTA 2 - 1.38	#2	2.75	1.38
CL039		CAT50 - MTA 3 - 1.88	#3	1.57	1.88
CL040		CAT50 - MTA 4 - 2.75	#4	1.97	2.75
CL041		CAT50 - MTA 5 - 4.06	#5	2.48	4.06

MORSE TAPER ADAPTER

BT



JIS B6339/MAS 403-BT



Unit : inch

EDP No.	TAPER No.	MODEL No.	MT No.	D	L
CH037	40	BT40 - MTA 1 - 1.75	#1	1.00	1.75
CH038		BT40 - MTA 2 - 2.36	#2	1.26	2.36
CH039		BT40 - MTA 3 - 2.95	#3	1.57	2.95
CH040		BT40 - MTA 4 - 3.74	#4	1.97	3.74
CI038	50	BT50 - MTA 2 - 2.36	#2	1.26	2.36
CI039		BT50 - MTA 3 - 2.95	#3	1.58	2.95
CI040		BT50 - MTA 4 - 3.74	#4	1.97	3.74
CI041		BT50 - MTA 5 - 4.13	#5	2.55	4.13



ROTARY TOOLING

TAPPING CHUCK

TAPPING CHUCK (QUICK CHANGE)
SYNCHRO TAPPING ER CHUCK

CAT : ASME B5.50-2009

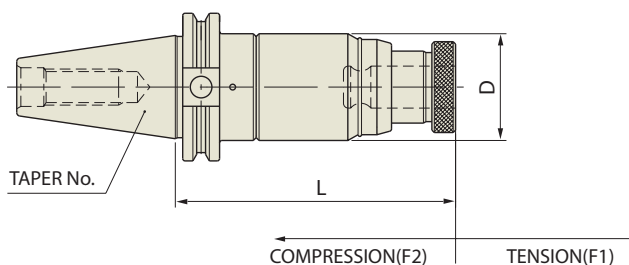
BT : JIS B6339/MAS 403-BT/ISO7388-2

HSK : DIN69893/ISO12164-1

STRAIGHT-KW

QUICK CHANGE ADAPTER





Tap Adapters
Refer to page 174



ASME B5.50-2009-CAT

• TAP ADAPTER QCT12

Unit : inch

EDP No.	TAPER No.	MODEL No.	D	L	F1	F2
JK048	40	CAT40 - TC#1 - 4.56	1.77	4.56	0.591	0.197
JL048	50	CAT50 - TC#1 - 4.56	1.77	4.56	0.591	0.197

• TAP ADAPTER QCT24

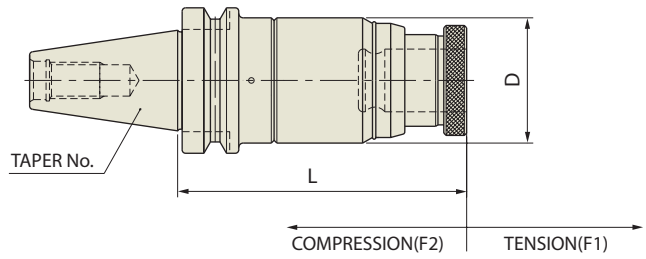
Unit : inch

EDP No.	TAPER No.	MODEL No.	D	L	F1	F2
JK049	40	CAT40 - TC#2 - 6.47	2.48	6.47	0.787	0.197
JL049	50	CAT50 - TC#2 - 5.82	2.48	5.82	0.787	0.197

• TAP ADAPTER QCT32

Unit : inch

EDP No.	TAPER No.	MODEL No.	D	L	F1	F2
JL050	50	CAT50 - TC#3 - 7.75	3.86	7.75	0.984	0.394



JIS B6339/MAS 403-BT

Tap Adapters
Refer to page 174



• TAP ADAPTER QCT12

Unit : inch

EDP No.	TAPER No.	MODEL No.	D	L	F1	F2
JH048	40	BT40 - TC#1 - 4.53	1.77	4.53	0.591	0.197
JI048	50	BT50 - TC#1 - 4.64	1.77	4.64	0.591	0.197

• TAP ADAPTER QCT24

Unit : inch

EDP No.	TAPER No.	MODEL No.	D	L	F1	F2
JH049	40	BT40 - TC#2 - 6.72	2.48	6.72	0.787	0.197
JI049	50	BT50 - TC#2 - 6.72	2.48	6.72	0.787	0.197

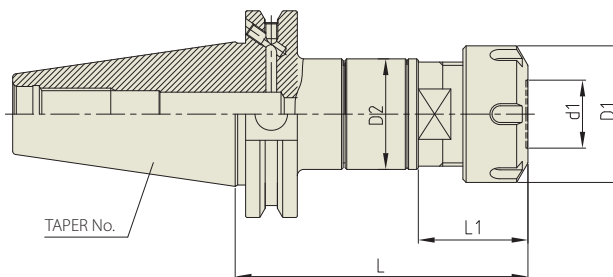
• TAP ADAPTER QCT32

Unit : inch

EDP No.	TAPER No.	MODEL No.	D	L	F1	F2
JI050	50	BT50 - TC#3 - 8.33	3.86	8.33	0.984	0.394

SYNCHRO TAPPING ER CHUCK

CAT



ASME B5.50-2009-CAT



Tap Adapters
Refer to page 138-143



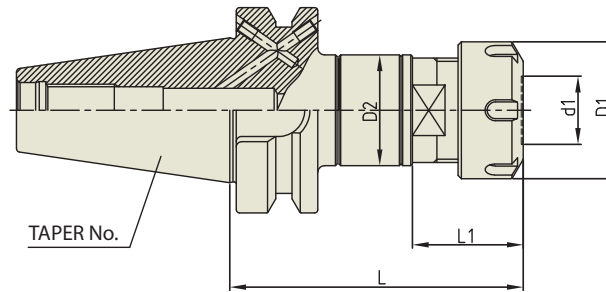
Unit : mm

EDP No.	TAPER No.	MODEL No.	d1 (TAP SIZE)	NUT	D1	D2	L	L1	WEIGHT (kg)
JK060SYT	40	CAT40 AD/B - SYTER 12 - 79	M3 - M12	ER16	28	34	79	26	1.00
JK062SYT		CAT40 AD/B - SYTER 16 - 85	M3 - M16	ER20	34	34	85	27	1.08
JK064SYT		CAT40 AD/B - SYTER 20 - 90	M3 - M20	ER25	42	34	90	34	1.08
JK066SYT		CAT40 AD/B - SYTER 27 - 100	M4 - M27	ER32	50	45	100	31	1.37
JK068SYT		CAT40 AD/B - SYTER 33 - 120	M4 - M33	ER40	63	62	120	35	2.16
JL060SYT	50	CAT50 AD/B - SYTER 12 - 79	M3 - M12	ER16	28	34	79	24	2.83
JL062SYT		CAT50 AD/B - SYTER 16 - 85	M3 - M16	ER20	34	34	85	27	2.86
JL064SYT		CAT50 AD/B - SYTER 20 - 90	M3 - M20	ER25	42	34	90	34	2.87
JL066SYT		CAT50 AD/B - SYTER 27 - 100	M4 - M27	ER32	50	45	100	31	3.04
JL068SYT		CAT50 AD/B - SYTER 33 - 120	M4 - M33	ER40	63	62	105	35	3.93

* BT(JIS B6339/MAS 403), HSK(DIN 69893/ISO12164-1) and STRAIGHT-K Taper products are available.
For details, please discuss separately.

Feature

- To compensate for synchronization errors to extend tap life and to improve thread quality
- To compensate for pitch tolerances of taps
- For machine with synchronized spindle



JIS B6339/MAS 403-BT



Tap Adapters
Refer to page 138-143

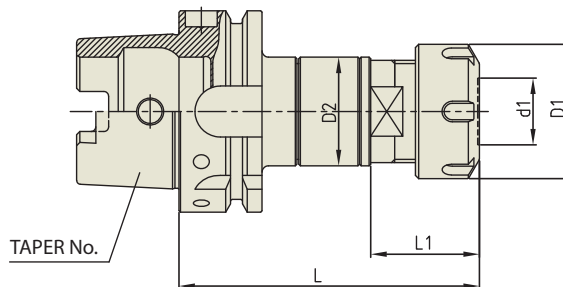


Unit : mm

EDP No.	TAPER No.	MODEL No.	d1 (TAP SIZE)	NUT	D1	D2	L	L1	WEIGHT (kg)
P2776301	40	BT40 AD/B - SYTER 12 - 79	M2 - M8	ER16	28	34	79	26	1.14
P2776302		BT40 AD/B - SYTER 16 - 85	M3 - M10	ER20	34	34	85	27	1.17
P2776303		BT40 AD/B - SYTER 20 - 90	M3 - M14	ER25	42	34	90	34	1.17
P2776304		BT40 AD/B - SYTER 27 - 100	M4 - M18	ER32	50	45	100	31	1.45
P2776305		BT40 AD/B - SYTER 33 - 125	M8 - M24	ER40	63	62	125	35	2.40
P2776306	50	BT50 AD/B - SYTER 12 - 100	M2 - M8	ER16	28	34	100	26	3.79
P2776307		BT50 AD/B - SYTER 16 - 100	M3 - M10	ER20	34	34	100	27	3.79
P2776308		BT50 AD/B - SYTER 20 - 100	M3 - M14	ER25	42	34	100	34	3.75
P2776309		BT50 AD/B - SYTER 27 - 110	M4 - M18	ER32	50	45	110	31	3.99
P2776310		BT50 AD/B - SYTER 33 - 125	M8 - M24	ER40	63	62	125	35	4.75

SYNCHRO TAPPING ER CHUCK

HSK



DIN69893/ISO12164-1 HSK FORM A

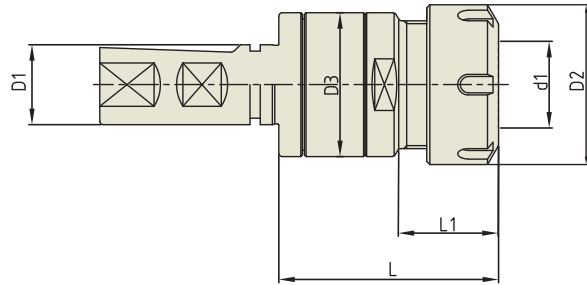
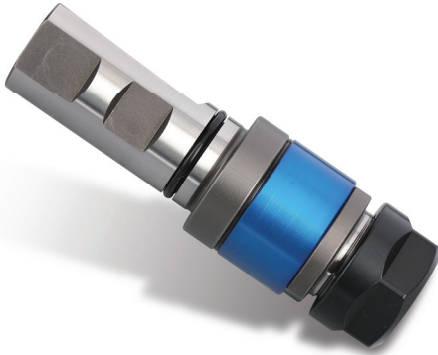


Tap Adapters
Refer to page 138-143



Unit : mm

EDP No.	TAPER No.	MODEL No.	d1 (TAP SIZE)	NUT	D1	D2	L	L1	WEIGHT (kg)
P2773801	63A	HSK63A - SYTER 16 - 90	M3 - M16	ER20	34	34	90	27	0.95
P2773802		HSK63A - SYTER 20 - 94	M3 - M20	ER25	42	34	94	34	0.95
P2773803		HSK63A - SYTER 27 - 105	M4 - M27	ER32	50	45	105	31	1.34



STRAIGHT-KW (Inch)



Tap Adapters
Refer to page 138-143

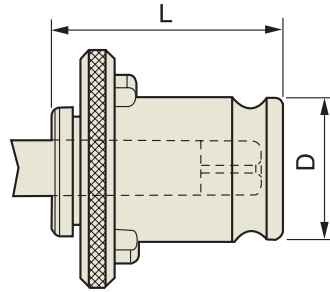
Unit : inch									
EDP No.	MODEL No.	d1 (TAP SIZE)	NUT	D1	D2	D3	L	L1	WEIGHT (kg)
JS101SYT	KW3/4 - SYTER 16	M3 - M16	ER20	0.750	1.339	1.339	2.283	1.024	0.33
JS102SYT	KW1.0 - SYTER 16	M3 - M16	ER20	1.000	1.339	1.339	2.402	1.063	0.44
JS103SYT	KW1.0 - SYTER 27	M4 - M27	ER32	1.000	1.969	1.772	2.717	1.220	0.60

STRAIGHT-KW (Metric)



Tap Adapters
Refer to page 138-143

Unit : mm									
EDP No.	MODEL No.	d1 (TAP SIZE)	NUT	D1	D2	D3	L	L1	WEIGHT (kg)
P2773901	KW20 - SYTER 16	M3 - M16	ER20	20	34	34	58	26	0.33
P2773902	KW25 - SYTER 16	M3 - M16	ER20	25	34	34	61	27	0.44
P2773903	KW25 - SYTER 27	M4 - M27	ER32	25	50	45	69	31	0.60



POSITIVE DRIVE-SOLID TYPE

Unit : inch

EDP No.	ADAPTER SIZE	TAP SIZE RANGE	TAP SIZE	TAP Dia.	TAP SQUARE	
QCT12001	QCT 12 D = 19mm/0.748" L = 28.5mm/1.122"	0 - 9/16"	#0 - 6	0.141	0.110	
QCT12002			#8	0.168	0.131	
QCT12003			#10	0.194	0.152	
QCT12004			#12	0.220	0.165	
QCT12005			1/4	0.255	0.191	
QCT12006			5/16	0.318	0.238	
QCT12007			3/8	0.381	0.286	
QCT12008			7/16	0.323	0.242	
QCT12009			1/2	0.367	0.275	
QCT12010			9/16	0.429	0.322	
QCT12011			1/8" PIPE	1/8pss	0.3125	0.234
QCT12012				1/8pls	0.4370	0.328
QCT24001	QCT 24 D = 31mm/1.220" L = 46mm/1.811"	5/16 - 7/8"	5/16	0.318	0.238	
QCT24002			3/8	0.381	0.286	
QCT24003			7/16	0.323	0.242	
QCT24004			1/2	0.367	0.275	
QCT24005			9/16	0.429	0.322	
QCT24006			5/8	0.480	0.360	
QCT24007			11/16	0.542	0.406	
QCT24008			3/4	0.590	0.421	
QCT24009			13/16	0.652	0.489	
QCT24010			7/8	0.697	0.523	
QCT24011			1/4" - 3/8" 1/2" PIPE	1/4p	0.562	0.420
QCT24012				3/8p	0.700	0.531
QCT24013				1/2p	0.688	0.515
QCT32001	QCT 32 D = 48mm/1.890" L = 69.5mm/2.736"	13/16 - 1 3/8"	13/16	0.652	0.489	
QCT32002			7/8	0.697	0.523	
QCT32003			15/16	0.760	0.570	
QCT32004			1	0.800	0.600	
QCT32005			1 1/8	0.896	0.672	
QCT32006			1 1/4	1.021	0.766	
QCT32007			1 3/8	1.108	0.831	
QCT32008			1/2/3/4 & 1" PIPE	1/2p	0.688	0.515
QCT32009				3/4p	0.960	0.679
QCT32010				1p	1.125	0.843



ROTARY TOOLING

ONE STEP TAPPING CHUCK



CAT : ASME B5.50-2009

BT : JIS B6339/MAS 403-BT/ISO7388-2

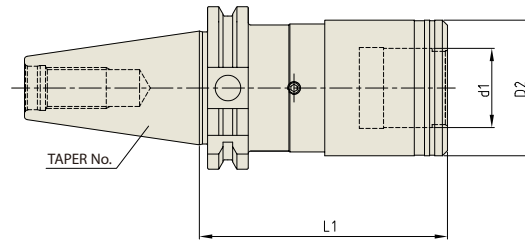
HSK : DIN69893/ISO12164-1

STRAIGHT-KW

TAP ADAPTER

ONE STEP TAPPING CHUCK

CAT



ASME B5.50-2009-CAT



Tap Adapters
Refer to page 178-179

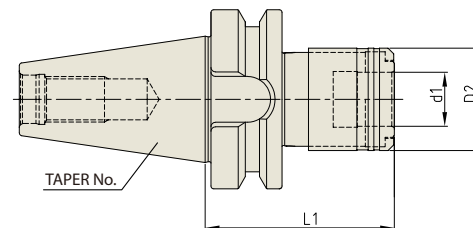


Unit : mm

EDP No.	TAPER No.	MODEL No.	d1	D2	L1	WEIGHT (Kg)
JK101OTC	40	CAT40 - OTC M3 - M12	19	36	59	1.10
JK102OTC		CAT40 - OTC M6 - M20	31	53	97	1.50
JK103OTC		CAT40 - OTC M24 - M33	48	78	149	3.30
JL101OTC	50	CAT50 - OTC M3 - M12	19	36	59	3.00
JL102OTC		CAT50 - OTC M6 - M20	31	53	83	3.30
JL103OTC		CAT50 - OTC M24 - M33	48	78	138	5.20

ONE STEP TAPPING CHUCK

BT



JIS B6339/MAS 403-BT



Tap Adapters
Refer to page 178-179

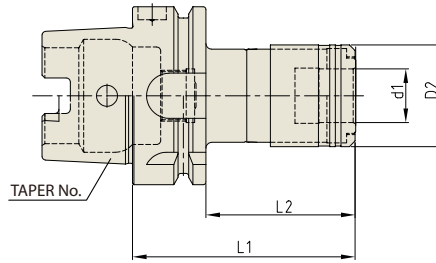


Unit : mm

EDP No.	TAPER No.	MODEL No.	d1	D2	L1	WEIGHT (Kg)
JH101OTC	40	BT40 - OTC M3 - M12	19	36	66.5	1.10
JH102OTC		BT40 - OTC M6 - M20	31	53	93.5	1.50
JH103OTC		BT40 - OTC M24 - M33	48	78	162.5	3.30
JI101OTC	50	BT50 - OTC M3 - M12	19	36	85	3.00
JI102OTC		BT50 - OTC M6 - M20	31	53	101.5	3.30
JI103OTC		BT50 - OTC M24 - M33	48	78	141	5.20

ONE STEP TAPPING CHUCK

HSK



DIN 69893/ISO12164-1



Tap Adapters
Refer to page 178-179

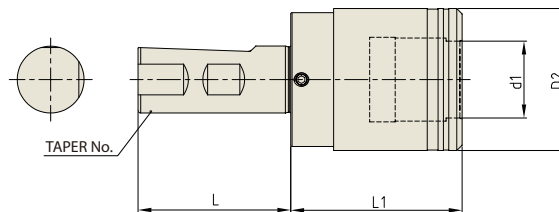
DIN 69893-HSK

Unit : mm

EDP No.	TAPER No.	MODEL No.	d1	D2	D1	L1	L2	WEIGHT (Kg)
JQ101OTC	63A	HSK63A - OTC M3 - M12	19	36	19	79	53	-
JQ102OTC		HSK63A - OTC M8 - M20	31	53	31	110	84	-
JQ103OTC		HSK63A - OTC M14 - M36	48	78	48	121	95	-
JR101OTC	100A	HSK100A - OTC M3 - M12	19	36	19	85.5	56.5	-
JR102OTC		HSK100A - OTC M6 - M20	31	53	31	119.5	90.5	-
JR103OTC		HSK100A - OTC M14 - M36	48	78	48	127	98	-

ONE STEP TAPPING CHUCK

KW



STRAIGHT-KW



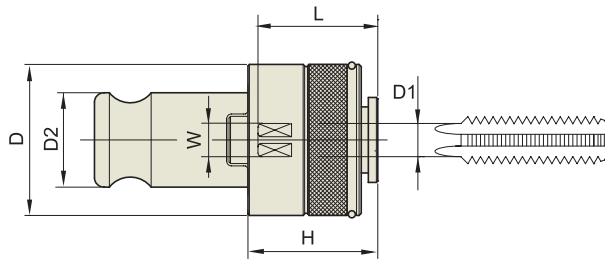
Tap Adapters
Refer to page 178-179

STRAIGHT

Unit : mm

EDP No.	TAPER No.	MODEL No.	d1	D2	L	L1	WEIGHT (Kg)
JS101OTC	20	KW20 - OTC M3 - M12	19	36	51	40	0.80
JS102OTC	25	KW25 - OTC M3 - M12	19	36	57	40	3.00
JS103OTC		KW25 - OTC M6 - M20	31	53	57	64	3.30
JS104OTC	32	KW32 - OTC M3 - M12	19	36	60	39	3.00
JS105OTC		KW32 - OTC M8 - M20	31	53	60.5	63	3.30
JS106OTC		KW32 - OTC M14 - M36	48	78	61	124	-

Hydraulic Chuck
Shrink Fit Holder
End Mill Holder & Side Lock Arbor
ER Collet Chuck
SK Slim Chuck
TG Collet Chuck
Power Milling Chuck
Morse Taper Adapter
Tapping Chuck
One Step Tapping Chuck
Shell Mill Arbor
NC Drill Chuck
Jacobs Taper Arbor
Stub Arbor
Slitting Saw Arbor
Pull Stud & Tool Clamp



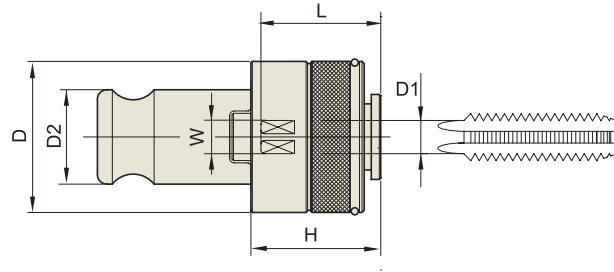
Below standard Tap Adapter conforms to JIS

Unit : mm

EDP No.	TAPER No.	MODEL No.	D	D1(∅)	D2	H	W(□)	L	WEIGHT (kg)
P2774651	TCS12	TCS12 - M3	32	4	19	25	3.2	24	0.18
P2774652		TCS12 - M4	32	5	19	25	4.	24	0.18
P2774653		TCS12 - M5	32	5.5	19	25	4.5	24	0.18
P2774654		TCS12 - M6, U1/4	32	6	19	25	4.5	24	0.18
P2774655		TCS12 - M8	32	6.2	19	25	5	25	0.18
P2774656		TCS12 - M10, U3/8	32	7	19	25	5.5	25	0.18
P2774657		TCS12 - M12	32	8.5	19	25	6.5	26	0.18
P2774658	TCS24	TCS24 - M6	52	6	31	33	4.5	38	0.60
P2774659		TCS24 - M8	52	6.2	31	33	5	38	0.60
P2774660		TCS24 - M10	52	7	31	33	5.5	38	0.60
P2774661		TCS24 - M12	52	8.5	31	33	6.5	39	0.60
P2774662		TCS24 - M14, U3/4	52	10.5	31	33	8	41	0.60
P2774663		TCS24 - M16	52	12.5	31	33	10	43	0.60
P2774664		TCS24 - M18, P3/8	52	14	31	33	11	43	0.60
P2774665		TCS24 - M20	52	15	31	33	12	43.5	0.60
P2774666		TCS24 - M22, U7/8	52	17	31	33	13	46	0.60
P2774667		TCS24 - M24, PF5/8	52	19	31	33	15	46	0.60
P2774668	TCS38	TCS38 - M18	72	14	48	45	11	43	1.80
P2774669		TCS38 - M20	72	15	48	45	12	43.5	1.80
P2774670		TCS38 - M22	72	17	48	45	13	45	1.80
P2774671		TCS38 - M24	72	19	48	45	15	45	1.80
P2774672		TCS38 - M27, U1	72	20	48	45	15	62	1.80
P2774673		TCS38 - M30, PT3/4	72	23	48	45	17	64	1.80
P2774674		TCS38 - M33	72	25	48	45	19	66	1.80
P2774675		TCS38 - M36	72	28	48	45	21	68	1.80
P2774676		TCS38 - M38	72	28	48	45	21	68	1.80

▶ Feature : Quick Change Type with Built-in Torque Safety Device

▶ For Pipe Type Tap, please discuss separately.



Below standard Tap Adapter conforms to **DIN**

Unit : mm

EDP No.	TAPER No.	MODEL No.	D	D1(Ø)	D2	H	W(□)	L	DIN No.	WEIGHT (kg)
P2774601	TSC12D	TCS12D - 2821	32	2.8	19	25	2.1	24	371	0.20
P2774602		TCS12D - 3527	32	3.5	19	25	2.7	24	371	0.20
P2774603		TCS12D - 4534	32	4.5	19	25	3.4	24	371	0.20
P2774604		TCS12D - 43	32	4	19	25	3	24	371	0.20
P2774605		TCS12D - 5543	32	5.5	19	25	4.3	25	376	0.20
P2774606		TCS12D - 649	32	6	19	25	4.9	25	371	0.20
P2774607		TCS12D - 755	32	7	19	25	5.5	25	376	0.20
P2774608		TCS12D - 862	32	8	19	25	6.2	25	371	0.20
P2774609		TCS12D - 97	32	9	19	25	7	26	376	0.20
P2774610		TCS12D - 108	32	10	19	25	8	26	371	0.20
P2774611		TCS12D - 119	32	11	19	25	9	26	376	0.20
P2774612		TCS24D	TCS24D - 649	52	6	31	33	4.9	38	371
P2774613	TCS24D - 755		52	7	31	33	5.5	38	376	0.60
P2774614	TCS24D - 862		52	8	31	33	6.2	38	371	0.60
P2774615	TCS24D - 97		52	9	31	33	7	38	376	0.60
P2774616	TCS24D - 108		52	10	31	33	8	39	371	0.60
P2774617	TCS24D - 119		52	11	31	33	9	41	376	0.60
P2774618	TCS24D - 129		52	12	31	33	9	43	376	0.60
P2774619	TCS24D - 1411		52	14	31	33	11	43	376	0.60
P2774620	TCS24D - 1612		52	16	31	33	12	46	376	0.60
P2774621	TCS24D - 18145		52	18	31	33	14.5	46	376	0.60
P2774622	TCS38D		TCS38D - 119	72	11	48	45	9	43	376
P2774623		TCS38D - 129	72	12	48	45	9	43	376	1.80
P2774624		TCS38D - 1411	72	14	48	45	11	45	376	1.80
P2774625		TCS38D - 1612	72	16	48	45	12	45	376	1.80
P2774626		TCS38D - 18145	72	18	48	45	14.5	62	376	1.80
P2774627		TCS38D - 2016	72	20	48	45	16	64	376	1.80
P2774628		TCS38D - 2218	72	22	48	45	18	66	376	1.80
P2774629		TCS38D - 2520	72	25	48	45	20	68	376	1.80
P2774630		TCS38D - 2822	72	28	48	45	22	68	376	1.80

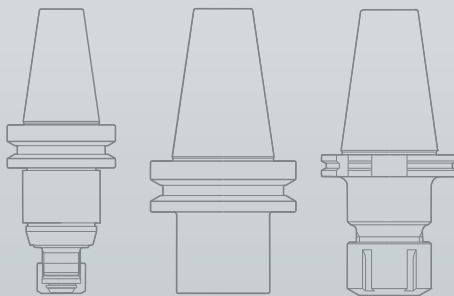
▶ Feature : Quick Change Type with Built-in Torque Safety Device

▶ For Pipe Type Tap, please discuss separately.

ROTARY TOOLING



GLOBAL CUTTING TOOL LEADER YG-1





ROTARY TOOLING

SHELL MILL ARBOR

STANDARD, EXTENDED, COOLANT CHANNEL
FLANGE MOUNTING

CAT : ASME B5.50-2009

CCT : CAT DUAL CONTACT

BT : JIS B6339/MAS 403-BT/ISO7388-2

CBT : BT DUAL CONTACT

HSK : DIN69893/ISO12164-1

COLLAR BOLT, DRIVE KEY, KEY BOLT



SHELL MILL ARBOR

CAT

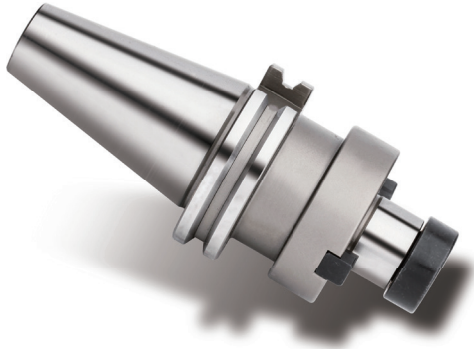


FIG.1

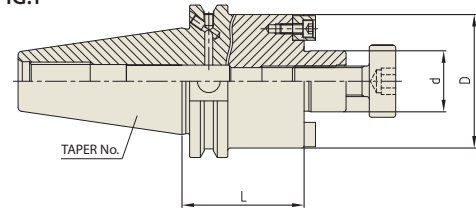
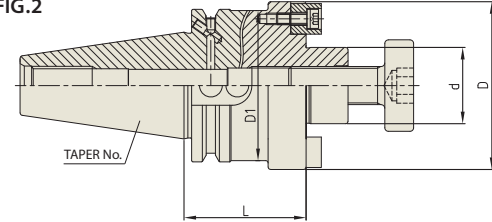


FIG.2



ASME B5.50-2009-CAT



Collar Bolt, Drive Key
Refer to page 195-196



• STANDARD

Unit : inch

EDP No.	TAPER No.	MODEL No.	d	L	D	D1	COLLAR BOLT	FIG.
EK006B	40	CAT40 AD/B - SMA 1/2 - 1.50	0.500	1.50	1.44	-	UNF1/4-28x16L	1
EK010B		CAT40 AD/B - SMA 3/4 - 1.50	0.750	1.50	1.69	-	UNF3/8-24x24L	1
EK014B		CAT40 AD/B - SMA 1.0 - 2.00	1.000	2.00	2.19	-	UNF1/2-20x32L	1
EK017B		CAT40 AD/B - SMA 1 1/4 - 2.00	1.250	2.00	2.75	2.46	UNF5/8-18x40L	2
EK0218		CAT40 AD/B - SMA 1 1/2 - 3.00	1.500	3.00	3.81	2.46	UNF3/4-16x47L	2
EL010B	50	CAT50 AD/B - SMA 3/4 - 1.50	0.750	1.50	1.69	-	UNF3/8-24x24L	1
EL014B		CAT50 AD/B - SMA 1.0 - 2.00	1.000	2.00	2.19	-	UNF1/2-20x32L	1
EL017B		CAT50 AD/B - SMA 1 1/4 - 2.00	1.250	2.00	2.75	-	UNF5/8-18x40L	1
EL021B		CAT50 AD/B - SMA 1 1/2 - 2.50	1.500	2.50	3.81	-	UNF3/4-16x47L	1
EL029B		CAT50 AD/B - SMA 2.00 - 3.00	2.000	3.00	4.88	3.84	UN1-14x48L	2

• EXTENDED

Unit : inch

EDP No.	TAPER No.	MODEL No.	d	L	D	D1	COLLAR BOLT	FIG.
EK306B	40	CAT40 AD/B - SMA 1/2 - 3.50	0.500	3.50	1.44	-	UNF1/4-28x16L	1
EK310B		CAT40 AD/B - SMA 3/4 - 3.50	0.750	3.50	1.69	-	UNF3/8-24x24L	1
EK314B		CAT40 AD/B - SMA 1.0 - 4.00	1.000	4.00	2.19	-	UNF1/2-20x32L	1
EK317B		CAT40 AD/B - SMA 1 1/4 - 4.00	1.250	4.00	2.75	2.46	UNF5/8-18x40L	2
EK321B		CAT40 AD/B - SMA 1 1/2 - 4.00	1.500	4.00	3.81	2.46	UNF3/4-16x47L	2
EL310B	50	CAT50 AD/B - SMA 3/4 - 3.50	0.750	3.50	1.69	-	UNF3/8-24x24L	1
EL314B		CAT50 AD/B - SMA 1.0 - 4.00	1.000	4.00	2.19	-	UNF1/2-20x32L	1
EL317B		CAT50 AD/B - SMA 1 1/4 - 4.00	1.250	4.00	2.75	-	UNF5/8-18x40L	1
EL321B		CAT50 AD/B - SMA 1 1/2 - 4.00	1.500	4.00	3.81	-	UNF3/4-16x47L	1
EL329B		CAT50 AD/B - SMA 2.0 - 4.00	2.000	4.00	4.88	3.84	UN1-14x48L	2

* High balanced Shell Mill Arbors are available on request.

SHELL MILL ARBOR

CAT

COOLANT CHANNEL TYPE

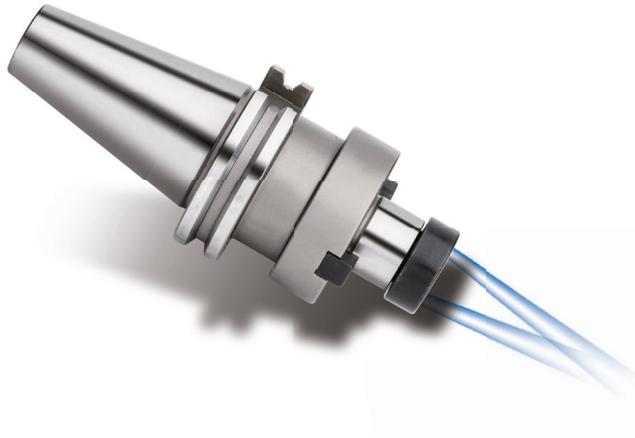


FIG.1

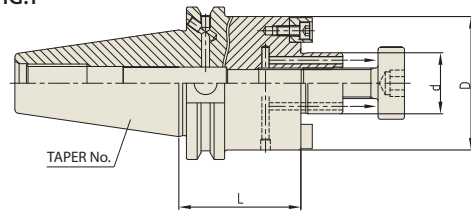
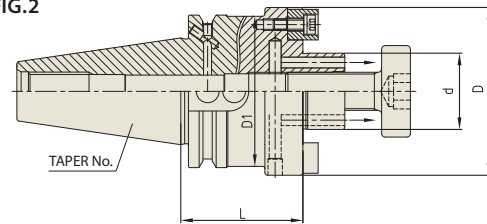


FIG.2



ASME B5.50-2009-CAT



Collar Bolt, Drive Key
Refer to page 195-196



• STANDARD

Unit : inch

EDP No.	TAPER No.	MODEL No.	d	L	D	D1	COLLAR BOLT	FIG.
EK006BC	40	CAT40 AD/B - SMA 1/2C - 1.50	0.500	1.50	1.44	-	UNF1/4-28x16L	1
EK010BC		CAT40 AD/B - SMA 3/4C - 1.50	0.750	1.50	1.69	-	UNF3/8-24x24L	1
EK014BC		CAT40 AD/B - SMA 1.0C - 2.00	1.000	2.00	2.19	-	UNF1/2-20x32L	1
EK017BC		CAT40 AD/B - SMA 1 1/4C - 2.00	1.250	2.00	2.75	2.46	UNF5/8-18x40L	2
EK021BC		CAT40 AD/B - SMA 1 1/2C - 3.00	1.500	3.00	3.81	2.46	UNF3/4-16x47L	2
EL010BC	50	CAT50 AD/B - SMA 3/4C - 1.50	0.750	1.50	1.69	-	UNF3/8-24x24L	1
EL014BC		CAT50 AD/B - SMA 1.0C - 2.00	1.000	2.00	2.19	-	UNF1/2-20x32L	1
EL017BC		CAT50 AD/B - SMA 1 1/4C - 2.00	1.250	2.00	2.75	-	UNF5/8-18x40L	1
EL031BC		CAT50 AD/B - SMA 1 1/2C - 2.50	1.500	2.50	3.81	-	UNF3/4-16x47L	1
EL029BC		CAT50 AD/B - SMA 2.0C - 3.00	2.000	3.00	4.88	3.84	UN1-14x48L	2

• EXTENDED

Unit : inch

EDP No.	TAPER No.	MODEL No.	d	L	D	D1	COLLAR BOLT	FIG.
EK306BC	40	CAT40 AD/B - SMA 1/2C - 3.50	0.500	3.50	1.44	-	UNF1/4-28x16L	1
EK310BC		CAT40 AD/B - SMA 3/4C - 3.50	0.750	3.50	1.69	-	UNF3/8-24x24L	1
EK314BC		CAT40 AD/B - SMA 1.0C - 4.00	1.000	4.00	2.19	-	UNF1/2-20x32L	1
EK317BC		CAT40 AD/B - SMA 1 1/4C - 4.00	1.250	4.00	2.75	2.46	UNF5/8-18x40L	2
EK321BC		CAT40 AD/B - SMA 1 1/2C - 4.00	1.500	4.00	3.81	2.46	UNF3/4-16x47L	2
EL310BC	50	CAT50 AD/B - SMA 3/4C - 3.50	0.750	3.50	1.69	-	UNF3/8-24x24L	1
EL314BC		CAT50 AD/B - SMA 1.0C - 4.00	1.000	4.00	2.19	-	UNF1/2-20x32L	1
EL317BC		CAT50 AD/B - SMA 1 1/4C - 4.00	1.250	4.00	2.75	-	UNF5/8-18x40L	1
EL331BC		CAT50 AD/B - SMA 1 1/2C - 4.00	1.500	4.00	3.81	-	UNF3/4-16x47L	1
EL329BC		CAT50 AD/B - SMA 2.0C - 4.00	2.000	4.00	4.88	3.84	UN1-14x48L	2

* High balanced Shell Mill Arbors are available on request.

SHELL MILL ARBOR

CAT

COOLANT CHANNEL TYPE

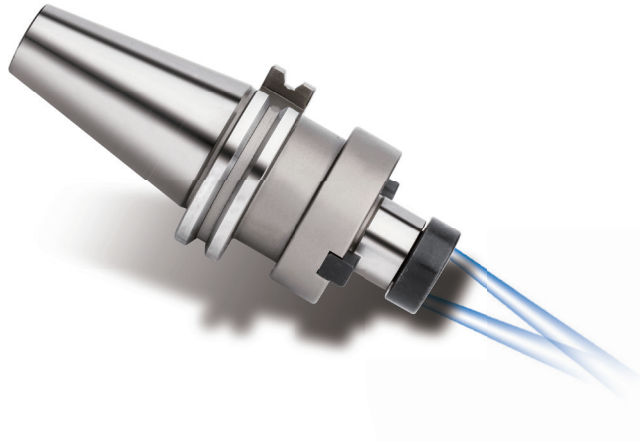


FIG.1

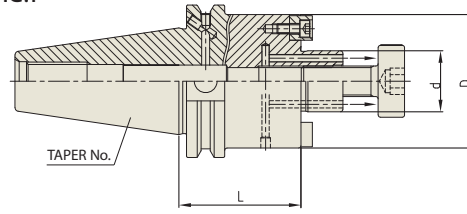
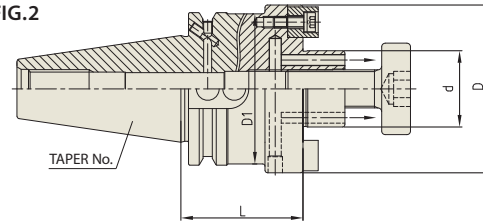


FIG.2



ASME B5.50-2009-CAT



Collar Bolt, Drive Key
Refer to page 195-196



• STANDARD

Unit : mm

EDP No.	TAPER No.	MODEL No.	d	L	D	D1	COLLAR BOLT	FIG.
EK401BC	40	CAT40 AD/B - SMA 16C - 44	Ø16	44	Ø38	-	M8x1.25-16L	1
EK402BC		CAT40 AD/B - SMA 22C - 44	Ø22	44	Ø48	-	M10x1.5-18L	1
EK403BC		CAT40 AD/B - SMA 27C - 44	Ø27	44	Ø60	-	M12x1.75-22L	1
EK404BC		CAT40 AD/B - SMA 32C - 60	Ø32	60	Ø78	-	M16x2.0-26L	1
EK405BC		CAT40 AD/B - SMA 40C - 60	Ø40	60	Ø89	50	M20x2.5-30L	2
EL401BC	50	CAT50 AD/B - SMA 16C - 35	Ø16	35	Ø38	-	M8x1.25-16L	1
EL402BC		CAT50 AD/B - SMA 22C - 35	Ø22	35	Ø48	-	M10x1.5-18L	1
EL403BC		CAT50 AD/B - SMA 27C - 40	Ø27	40	Ø60	-	M12x1.75-22L	1
EL404BC		CAT50 AD/B - SMA 32C - 50	Ø32	50	Ø78	-	M16x2.0-26L	1
EL405BC		CAT50 AD/B - SMA 40C - 50	Ø40	50	Ø89	80	M20x2.5-30L	2

• EXTENDED

Unit : mm

EDP No.	TAPER No.	MODEL No.	d	L	D	D1	COLLAR BOLT	FIG.
EK406BC	40	CAT40 AD/B - SMA 16C - 100	Ø16	100	Ø38	-	M8x1.25-16L	1
EK407BC		CAT40 AD/B - SMA 22C - 100	Ø22	100	Ø48	-	M10x1.5-18L	1
EK408BC		CAT40 AD/B - SMA 27C - 100	Ø27	100	Ø60	-	M12x1.75-22L	1
EK409BC		CAT40 AD/B - SMA 32C - 100	Ø32	100	Ø78	-	M16x2.0-26L	1
EK410BC		CAT40 AD/B - SMA 40C - 100	Ø40	100	Ø89	50	M20x2.5-30L	2
EL406BC	50	CAT50 AD/B - SMA 16C - 100	Ø16	100	Ø38	-	M8x1.25-16L	1
EL407BC		CAT50 AD/B - SMA 22C - 100	Ø22	100	Ø48	-	M10x1.5-18L	1
EL408BC		CAT50 AD/B - SMA 22C - 160	Ø22	160	Ø48	-	M10x1.5-18L	1
EL409BC		CAT50 AD/B - SMA 27C - 100	Ø27	100	Ø60	-	M12x1.75-22L	1
EL410BC		CAT50 AD/B - SMA 27C - 160	Ø27	160	Ø60	-	M12x1.75-22L	1
EL411BC		CAT50 AD/B - SMA 32C - 100	Ø32	100	Ø78	-	M16x2.0-26L	1
EL412BC		CAT50 AD/B - SMA 32C - 160	Ø32	160	Ø78	-	M16x2.0-26L	1
EL413BC		CAT50 AD/B - SMA 40C - 100	Ø40	100	Ø89	80	M20x2.5-30L	2
EL414BC		CAT50 AD/B - SMA 40C - 160	Ø40	160	Ø89	80	M20x2.5-30L	2

* High balanced Shell Mill Arbors are available on request.

DUAL CONTACT SHELL MILL ARBOR

CCT



FIG.1

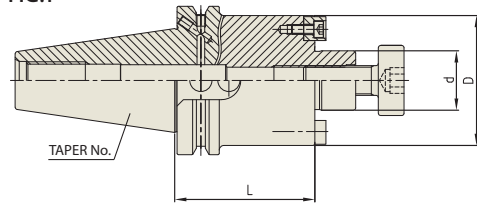
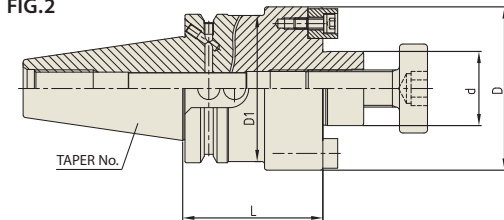


FIG.2



CCT (CAT DUAL CONTACT)



Collar Bolt, Drive Key
Refer to page 195-196



Unit : inch

EDP No.	TAPER No.	MODEL No.	d	L	D	D1	COLLAR BOLT	FIG.
EB020	40	CCT40 AD/B - SMA 1/2 - 2.36	0.500	1.438	2.360	-	UNF1/4-28x16L	1
EB022		CCT40 AD/B - SMA 1/2 - 4.72	0.500	1.438	4.720	-	UNF1/4-28x16L	1
EB024		CCT40 AD/B - SMA 3/4 - 2.36	0.750	1.688	2.360	-	UNF3/8-24x24L	1
EB026		CCT40 AD/B - SMA 3/4 - 4.72	0.750	1.688	4.720	-	UNF3/8-24x24L	1
EB028		CCT40 AD/B - SMA 1.0 - 2.36	1.000	2.188	2.360	-	UNF1/2-20x32L	1
EB030		CCT40 AD/B - SMA 1.0 - 4.72	1.000	2.188	4.720	-	UNF1/2-20x32L	1
EB032		CCT40 AD/B - SMA 1 1/4 - 2.36	1.250	2.750	2.360	2.461	UNF5/8-18x40L	2
EB034		CCT40 AD/B - SMA 1 1/4 - 4.72	1.250	2.750	4.720	2.461	UNF5/8-18x40L	2
EB051		CCT40 AD/B - SMA 1 1/2 - 4.00	1.500	3.813	4.000	2.461	UNF3/4-16x47L	2
EC020		50	CCT50 AD/B - SMA 1/2 - 2.95	0.500	1.438	2.950	-	UNF1/4-28x16L
EC022	CCT50 AD/B - SMA 1/2 - 4.72		0.500	1.438	4.720	-	UNF1/4-28x16L	1
EC024	CCT50 AD/B - SMA 3/4 - 2.95		0.750	1.688	2.950	-	UNF3/8-24x24L	1
EC026	CCT50 AD/B - SMA 3/4 - 4.72		0.750	1.688	4.720	-	UNF3/8-24x24L	1
EC028	CCT50 AD/B - SMA 1.0 - 2.95		1.000	2.188	2.950	-	UNF1/2-20x32L	1
EC030	CCT50 AD/B - SMA 1.0 - 4.72		1.000	2.188	4.720	-	UNF1/2-20x32L	1
EC032	CCT50 AD/B - SMA 1 1/4 - 2.95		1.250	2.750	2.950	-	UNF5/8-18x40L	1
EC034	CCT50 AD/B - SMA 1 1/4 - 4.72		1.250	2.750	4.720	-	UNF5/8-18x40L	1
EC036	CCT50 AD/B - SMA 1 1/2 - 2.95		1.500	3.813	2.950	-	UNF3/4-16x47L	1
EC038	CCT50 AD/B - SMA 1 1/2 - 4.72		1.500	3.813	4.720	-	UNF3/4-16x47L	1
EC051	CCT50 AD/B - SMA 2.0 - 4.72		2.000	4.880	4.000	3.836	UN1-14x48L	2

DUAL CONTACT SHELL MILL ARBOR

CCT

COOLANT CHANNEL TYPE

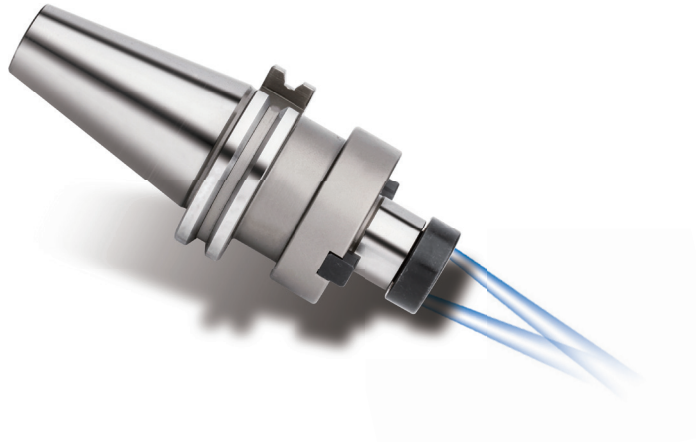


FIG.1

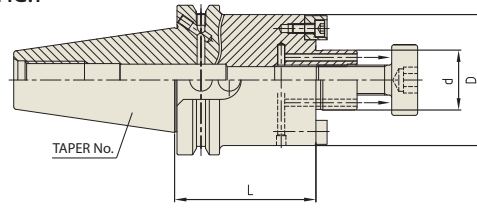
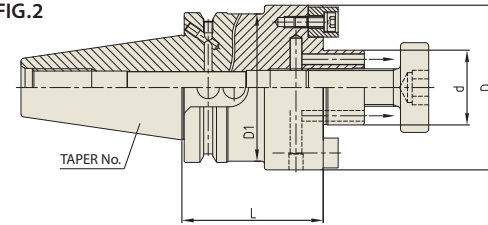


FIG.2



CCT (CAT DUAL CONTACT)



Collar Bolt, Drive Key
Refer to page 195-196



Unit : inch

EDP No.	TAPER No.	MODEL No.	d	L	D	D1	COLLAR BOLT	FIG.
EB044C	40	CCT40 AD/B - SMA 1/2C - 1.50	0.500	1.500	1.438	-	UNF1/4-28x16L	1
EB024C		CCT40 AD/B - SMA 3/4C - 2.36	0.750	1.688	2.360	-	UNF3/8-24x24L	1
EB040C		CCT40 AD/B - SMA 3/4C - 3.50	0.750	1.688	3.500	-	UNF3/8-24x24L	1
EB028C		CCT40 AD/B - SMA 1.0C - 2.36	1.000	2.188	2.360	-	UNF1/2-20x32L	1
EB041C		CCT40 AD/B - SMA 1.0C - 4.00	1.000	2.188	4.000	-	UNF1/2-20x32L	1
EB032C		CCT40 AD/B - SMA 1 1/4C - 2.36	1.250	2.750	2.360	2.461	UNF5/8-18x40L	2
EB042C		CCT40 AD/B - SMA 1 1/4C - 4.00	1.250	2.750	4.000	2.461	UNF5/8-18x40L	2
EB043C		CCT40 AD/B - SMA 1 1/2C - 4.00	1.500	3.813	4.000	2.461	UNF3/4-16x47L	2
EC024C	50	CCT50 AD/B - SMA 3/4C - 2.95	0.750	1.688	2.950	-	UNF3/8-24x24L	1
EC040C		CCT50 AD/B - SMA 3/4C - 3.50	0.750	1.688	3.500	-	UNF3/8-24x24L	1
EC028C		CCT50 AD/B - SMA 1.0C - 2.95	1.000	2.188	2.950	-	UNF1/2-20x32L	1
EC041C		CCT50 AD/B - SMA 1.0C - 4.00	1.000	2.188	4.000	-	UNF1/2-20x32L	1
EC032C		CCT50 AD/B - SMA 1 1/4C - 2.95	1.250	2.750	2.950	-	UNF5/8-18x40L	1
EC042C		CCT50 AD/B - SMA 1 1/4C - 4.00	1.250	2.750	4.000	-	UNF5/8-18x40L	1
EC036C		CCT50 AD/B - SMA 1 1/2C - 2.95	1.500	3.813	2.950	-	UNF3/4-16x47L	1
EC043C		CCT50 AD/B - SMA 1 1/2C - 4.00	1.500	3.813	4.000	-	UNF3/4-16x47L	1
EC044C	CCT50 AD/B - SMA 2.0C - 4.00	1.500	4.880	4.000	-	UN1-14x48L	1	

SHELL MILL ARBOR

BT

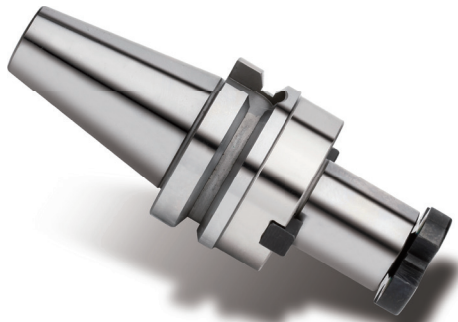


FIG.1

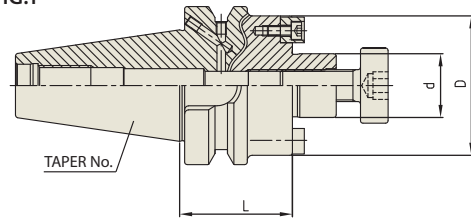
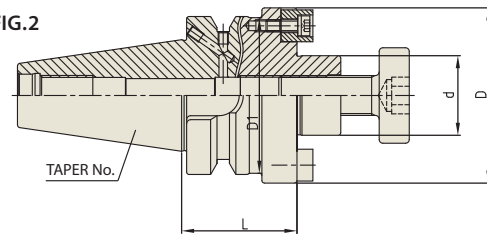


FIG.2



JIS B6339/MAS 403-BT



Collar Bolt, Drive Key
Refer to page 195-196



• STANDARD

								Unit : inch
EDP No.	TAPER No.	MODEL No.	d	L	D	D1	COLLAR BOLT	FIG.
EH006B	40	BT40 AD/B - SMA 1/2 - 1.75	0.500	1.75	1.44	-	UNF1/4-28x16L	1
EH010B		BT40 AD/B - SMA 3/4 - 1.77	0.750	1.77	1.69	-	UNF3/8-24x24L	1
EH014B		BT40 AD/B - SMA 1.0 - 1.77	1.000	1.77	2.19	-	UNF1/2-20x32L	1
EH017B		BT40 AD/B - SMA 1 1/4 - 1.81	1.250	1.81	2.75	2.44	UNF5/8-18x40L	2
EH021B		BT40 AD/B - SMA 1 1/2 - 2.36	1.500	2.36	3.81	2.44	UNF3/4-16x47L	2
EI010	50	BT50 - SMA 3/4 - 1.75	0.750	1.75	1.69	-	UNF3/8-24x24L	1
EI014		BT50 - SMA 1.0 - 1.75	1.000	1.75	2.19	-	UNF1/2-20x32L	1
EI017		BT50 - SMA 1 1/4 - 1.75	1.250	1.75	2.75	-	UNF5/8-18x40L	1
EI021		BT50 - SMA 1 1/2 - 1.75	1.500	1.75	3.81	-	UNF3/4-16x47L	1
EI029		BT50 - SMA 2.0 - 3.00	2.000	3.00	4.88	3.86	UN1-14x48L	2

• EXTENDED

								Unit : inch
EDP No.	TAPER No.	MODEL No.	d	L	D	D1	COLLAR BOLT	FIG.
EH306B	40	BT40 AD/B - SMA 1/2 - 3.50	0.500	3.50	1.44	-	UNF1/4-28x16L	1
EH310B		BT40 AD/B - SMA 3/4 - 4.13	0.750	4.13	1.69	-	UNF3/8-24x24L	1
EH3148		BT40 AD/B - SMA 1.0 - 4.13	1.000	4.13	2.19	-	UNF1/2-20x32L	1
EH317B		BT40 AD/B - SMA 1 1/4 - 4.13	1.250	4.13	2.75	2.44	UNF5/8-18x40L	2
EH321B		BT40 AD/B - SMA 1 1/2 - 4.72	1.500	4.72	3.81	2.44	UNF3/4-16x47L	2
EI310	50	BT50 - SMA 3/4 - 3.50	0.750	3.50	1.69	-	UNF3/8-24x24L	1
EI314		BT50 - SMA 1.0 - 4.00	1.000	4.00	2.19	-	UNF1/2-20x32L	1
EI317		BT50 - SMA 1 1/4 - 4.00	1.250	4.00	2.75	-	UNF5/8-18x40L	1
EI321		BT50 - SMA 1 1/2 - 4.00	1.500	4.00	3.81	-	UNF3/4-16x47L	1
EI329		BT50 - SMA 2.0 - 4.00	2.000	4.00	4.88	3.86	UN1-14x48L	2

* High balanced Shell Mill Arbors are available on request.

Hydraulic Chuck
Shrink Fit Holder
End Mill Holder & Side Lock Arbor
ER Collet Chuck
SK Slim Chuck
TG Collet Chuck
Power Milling Chuck
Morse Taper Adapter
Tapping Chuck
One Step Tapping Chuck
Shell Mill Arbor
MC Drill Chuck
Jacobs Taper Arbor
Stub Arbor
Slitting Saw Arbor
Pull Stud & Tool Clamp

SHELL MILL ARBOR

BT

COOLANT CHANNEL TYPE

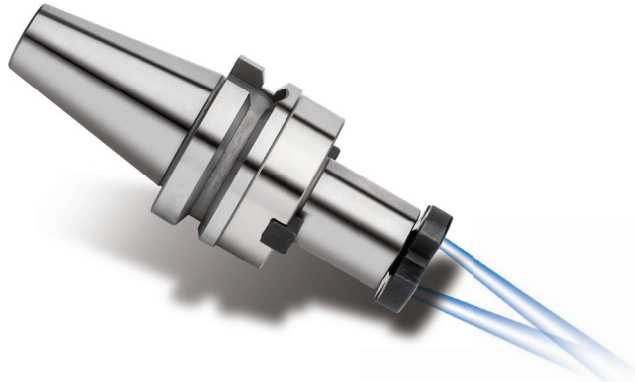


FIG.1

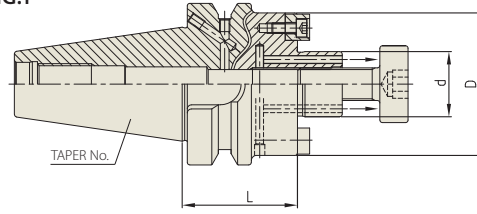
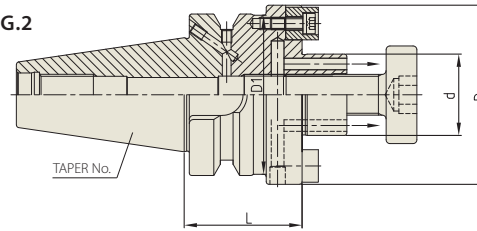


FIG.2



JIS B6339/MAS 403-BT



Collar Bolt, Drive Key
Refer to page 195-196



• STANDARD

Unit : inch

EDP No.	TAPER No.	MODEL No.	d	L	D	D1	COLLAR BOLT	FIG.
EH006BC	40	BT40 AD/B - SMA 1/2C - 1.75	0.500	1.75	1.44	-	UNF1/4-28x16L	1
EH010BC		BT40 AD/B - SMA 3/4C - 1.77	0.750	1.77	1.69	-	UNF3/8-24x24L	1
EH014BC		BT40 AD/B - SMA 1.0C - 1.77	1.000	1.77	2.19	-	UNF1/2-20x32L	1
EH017BC		BT40 AD/B - SMA 1 1/4C - 1.81	1.250	1.81	2.75	2.44	UNF5/8-18x40L	2
EH021BC		BT40 AD/B - SMA 1 1/2C - 2.36	1.500	2.36	3.81	2.44	UNF3/4-16x47L	2
EI101C	50	BT50 - SMA 3/4C - 2.25	0.750	2.25	1.69	-	UNF3/8-24x24L	1
EI102C		BT50 - SMA 1.0C - 2.25	1.000	2.25	2.19	-	UNF1/2-20x32L	1
EI103C		BT50 - SMA 1 1/4C - 2.25	1.250	2.25	2.75	-	UNF5/8-18x40L	1
EI104C		BT50 - SMA 1 1/2C - 2.25	1.500	2.25	3.81	-	UNF3/4-16x47L	1
EI029C		BT50 - SMA 2.0C - 3.00	2.000	3.00	4.88	3.86	UN1-14x48L	2

• EXTENDED

Unit : inch

EDP No.	TAPER No.	MODEL No.	d	L	D	D1	COLLAR BOLT	FIG.
EH306BC	40	BT40 AD/B - SMA 1/2C - 3.50	0.500	3.50	1.44	-	UNF1/4-28x16L	1
EH351BC		BT40 AD/B - SMA 3/4C - 4.13	0.750	4.13	1.69	-	UNF3/8-24x24L	1
EH314BC		BT40 AD/B - SMA 1.0C - 4.13	1.000	4.13	2.19	-	UNF1/2-20x32L	1
EH317BC		BT40 AD/B - SMA 1 1/4C - 4.13	1.250	4.13	2.75	2.44	UNF5/8-18x40L	2
EH321BC		BT40 AD/B - SMA 1 1/2C - 4.72	1.500	4.72	3.81	2.44	UNF3/4-16x47L	2
EI351C	50	BT50 - SMA 3/4C - 3.50	0.750	3.50	1.69	-	UNF3/8-24x24L	1
EI314C		BT50 - SMA 1.0C - 4.00	1.000	4.00	2.19	-	UNF1/2-20x32L	1
EI317C		BT50 - SMA 1 1/4C - 4.00	1.250	4.00	2.75	-	UNF5/8-18x40L	1
EI321C		BT50 - SMA 1 1/2C - 4.00	1.500	4.00	3.81	-	UNF3/4-16x47L	1
EI329C		BT50 - SMA 2.0C - 4.00	2.000	4.00	4.88	3.86	UN1-14x48L	2

* High balanced Shell Mill Arbors are available on request.

DUAL CONTACT SHELL MILL ARBOR

CBT



FIG.1

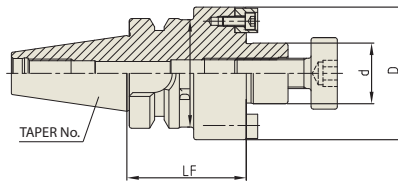
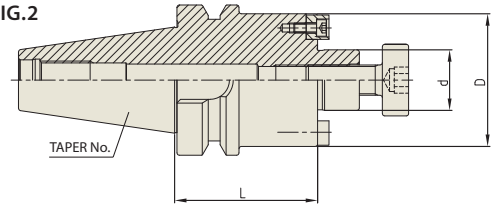


FIG.2



CBT (BT DUAL CONTACT)



Collar Bolt, Drive Key
Refer to page 195-196



Unit : inch

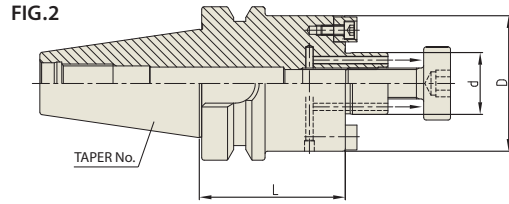
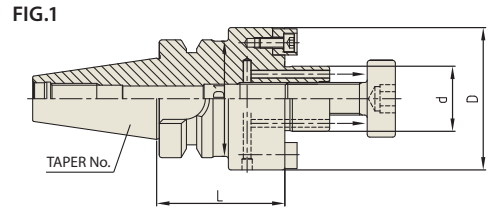
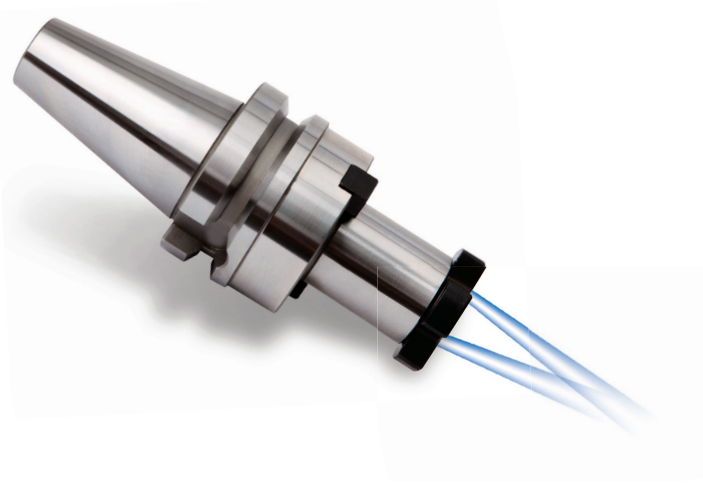
EDP No.	TAPER No.	MODEL No.	d	L	D	D1	COLLAR BOLT	FIG.
ED100	30	CBT30 - SMA 1/2 - 1.97	0.500	1.438	1.970	-	UNF1/4-28x16L	2
ED102		CBT30 - SMA 3/4 - 1.97	0.750	1.688	1.970	-	UNF3/8-24x24L	2
ED104		CBT30 - SMA 1.0 - 1.97	1.000	2.188	1.970	1.772	UNF1/2-20x32L	1
ED106		CBT30 - SMA 1 1/4 - 1.97	1.250	2.750	1.970	1.772	UNF5/8-18x40L	1
EE100	40	CBT40 - SMA 1/2 - 2.36	0.500	1.438	2.360	-	UNF1/4-28x16L	2
EE102		CBT40 - SMA 3/4 - 2.36	0.750	1.688	2.360	-	UNF3/8-24x24L	2
EE104		CBT40 - SMA 1.0 - 2.36	1.000	2.188	2.360	-	UNF1/2-20x32L	2
EE106		CBT40 - SMA 1 1/4 - 2.36	1.250	2.750	2.360	2.441	UNF5/8-18x40L	1

Hydraulic Chuck
Shrink Fit Holder
End Mill Holder & Side Lock Arbor
ER Collet Chuck
SK Slim Chuck
TG Collet Chuck
Power Milling Chuck
Morse Taper Adapter
Tapping Chuck
One Step Tapping Chuck
Shell Mill Arbor
NC Drill Chuck
Jacobs Taper Arbor
Stub Arbor
Slitting Saw Arbor
Pull Stud & Tool Clamp

DUAL CONTACT SHELL MILL ARBOR

CBT

COOLANT CHANNEL TYPE



CBT (BT DUAL CONTACT)



Collar Bolt, Drive Key
Refer to page 195-196



Unit : inch

EDP No.	TAPER No.	MODEL No.	d	L	D	D1	COLLAR BOLT	FIG.
ED100C	30	CBT30 - SMA 1/2C - 1.97	0.500	1.438	1.970	-	UNF1/4-28x16L	2
ED102C		CBT30 - SMA 3/4C - 1.97	0.750	1.688	1.970	-	UNF3/8-24x24L	2
ED104C		CBT30 - SMA 1.0C - 1.97	1.000	2.188	1.970	1.771	UNF1/2-20x32L	1
ED106C		CBT30 - SMA 1 1/4C - 1.97	1.250	2.750	1.970	1.771	UNF5/8-18x40L	1
EE100C	40	CBT40 - SMA 1/2C - 2.36	0.500	1.438	2.360	-	UNF1/4-28x16L	2
EE102C		CBT40 - SMA 3/4C - 2.36	0.750	1.688	2.360	-	UNF3/8-24x24L	2
EE104C		CBT40 - SMA 1.0C - 2.36	1.000	2.188	2.360	-	UNF1/2-20x32L	2
EE106C		CBT40 - SMA 1 1/4C - 2.36	1.250	2.750	2.360	2.441	UNF5/8-18x40L	1

DUAL CONTACT SHELL MILL ARBOR

HSK

COOLANT CHANNEL TYPE



FIG.1

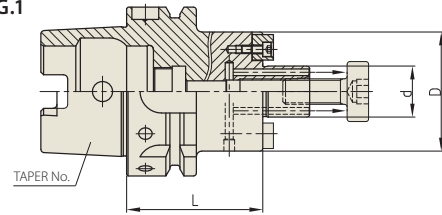
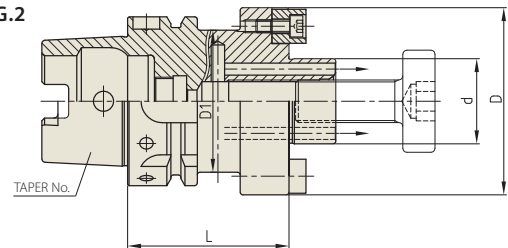


FIG.2



**DIN69893/
ISO12164-1 HSK FORM A**



Collar Bolt, Drive Key
Refer to page 195-196



Unit : inch

EDP No.	TAPER No.	MODEL No.	d	L	D	D1	COLLAR BOLT	FIG.
EQ201C	63A	HSK63A - SMA 1/2C - 2.00	0.500	2.000	1.438	-	UNF1/4-28x16L	1
EQ101C		HSK63A - SMA 3/4C - 2.00	0.750	2.000	1.750	-	UNF3/8-24x24L	1
EQ102C		HSK63A - SMA 3/4C - 3.00	0.750	3.000	1.750	-	UNF3/8-24x24L	1
EQ103C		HSK63A - SMA 1.0C - 2.37	1.000	2.370	2.250	2.087	UNF1/2-20x32L	2
EQ104C		HSK63A - SMA 1 1/4C - 2.37	1.250	2.370	2.750	2.087	UNF5/8-18x40L	2
EQ105C		HSK63A - SMA 1 1/2C - 2.37	1.500	2.370	3.500	2.087	UNF3/4-16x47L	2
ER101C	100A	HSK100A - SMA 3/4C - 4.00	0.750	4.000	1.750	-	UNF3/8-24x24L	1
ER102C		HSK100A - SMA 1.0C - 2.00	1.000	2.000	2.250	-	UNF1/2-20x32L	1
ER103C		HSK100A - SMA 1.0C - 4.00	1.000	4.000	2.250	-	UNF1/2-20x32L	1
ER104C		HSK100A - SMA 1 1/4C - 4.00	1.250	4.000	2.750	-	UNF5/8-18x40L	1
ER105C		HSK100A - SMA 1 1/2C - 2.25	1.500	2.250	3.500	3.465	UNF3/4-16x47L	2
ER106C		HSK100A - SMA 2.0C - 4.00	2.000	4.000	4.870	3.465	UN1-14x48L	2

Hydraulic Chuck
Shrink Fit Holder
End Mill Holder & Side Lock Arbor
ER Collet Chuck
SK Slim Chuck
TG Collet Chuck
Power Milling Chuck
Morse Taper Adapter
Tapping Chuck
One Step Tapping Chuck
Shell Mill Arbor
NC Drill Chuck
Jacobs Taper Arbor
Stub Arbor
Slitting Saw Arbor
Pull Stud & Tool Clamp

DUAL CONTACT SHELL MILL ARBOR

HSK

COOLANT CHANNEL TYPE



FIG.1

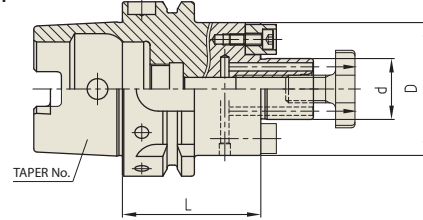
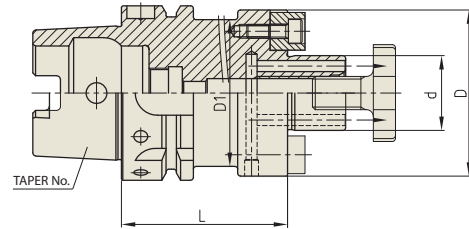


FIG.2



**DIN69893/
ISO12164-1 HSK FORM A**



Collar Bolt, Drive Key
Refer to page 195-196



• STANDARD

								Unit : mm
EDP No.	TAPER No.	MODEL No.	d	L	D	D1	COLLAR BOLT	FIG.
EQ001C	63A	HSK63A - SMA 16C - 50	16	50	38	-	M8x1.25-16L	1
EQ002C		HSK63A - SMA 22C - 50	22	50	48	-	M10x1.5-18L	1
EQ003C		HSK63A - SMA 27C - 60	27	60	60	53	M12x1.75-22L	2
EQ004C		HSK63A - SMA 32C - 60	32	60	78	53	M16x2.0-26L	2
EQ005C		HSK63A - SMA 40C - 60	40	60	89	53	M20x2.5-30L	2
ER001C	100A	HSK100A - SMA 16C - 50	16	50	38	-	M8x1.25-16L	1
ER002C		HSK100A - SMA 22C - 50	22	50	48	-	M10x1.5-18L	1
ER003C		HSK100A - SMA 27C - 50	27	50	60	-	M12x1.75-22L	1
ER004C		HSK100A - SMA 32C - 60	32	60	78	-	M16x2.0-26L	1
ER005C		HSK100A - SMA 40C - 60	40	60	89	-	M20x2.5-30L	1

DUAL CONTACT SHELL MILL ARBOR

HSK

COOLANT CHANNEL TYPE

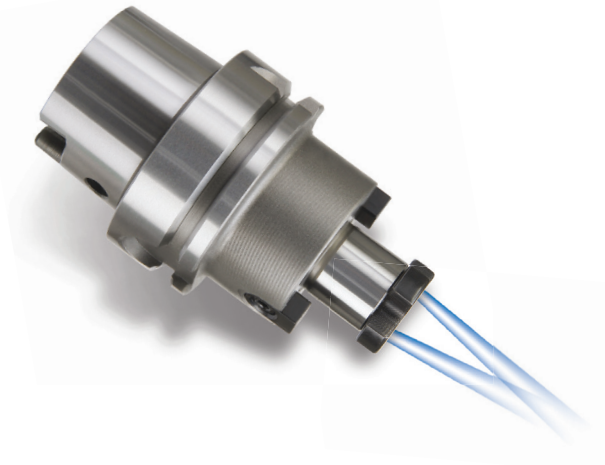


FIG.1

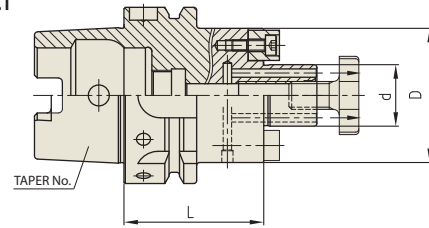
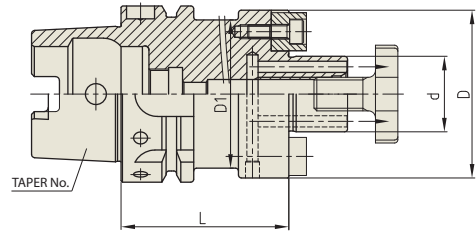


FIG.2



**DIN69893/
ISO12164-1 HSK FORM A**



Collar Bolt, Drive Key
Refer to page 195-196



• EXTENDED

Unit : mm

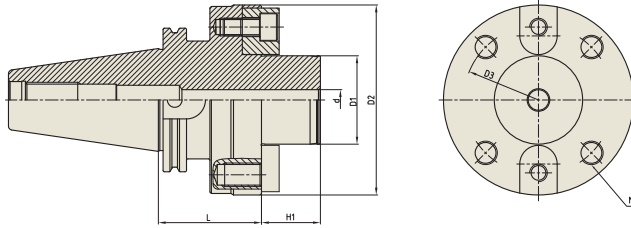
EDP No.	TAPER No.	MODEL No.	d	L	D	D1	COLLAR BOLT	FIG.
EQ006C	63A	HSK63A - SMA 16C - 100	16	100	38	-	M8x1.25-16L	1
EQ007C		HSK63A - SMA 16C - 145	16	145	38	-	M8x1.25-16L	1
EQ008C		HSK63A - SMA 22C - 100	22	100	48	-	M10x1.5-18L	1
EQ009C		HSK63A - SMA 22C - 160	22	160	48	-	M10x1.5-18L	1
EQ010C		HSK63A - SMA 27C - 100	27	100	60	53	M12x1.75-22L	2
EQ011C		HSK63A - SMA 27C - 160	27	160	60	53	M12x1.75-22L	2
EQ012C		HSK63A - SMA 32C - 100	32	100	78	53	M16x2.0-26L	2
EQ013C		HSK63A - SMA 40C - 160	40	160	89	53	M20x2.5-30L	2
ER006C		100A	HSK100A - SMA 16C - 100	16	100	38	-	M8x1.25-16L
ER007C	HSK100A - SMA 22C - 100		22	100	48	-	M10x1.5-18L	1
ER008C	HSK100A - SMA 22C - 160		22	160	48	-	M10x1.5-18L	1
ER009C	HSK100A - SMA 27C - 100		27	100	60	-	M12x1.75-22L	1
ER010C	HSK100A - SMA 27C - 160		27	160	60	-	M12x1.75-22L	1
ER011C	HSK100A - SMA 32C - 100		32	100	78	-	M16x2.0-26L	1
ER012C	HSK100A - SMA 32C - 160		32	160	78	-	M16x2.0-26L	1
ER013C	HSK100A - SMA 40C - 100		40	100	89	-	M20x2.5-30L	1
ER014C	HSK100A - SMA 40C - 160		40	160	89	-	M20x2.5-30L	1

Hydraulic Chuck
Shrink Fit Holder
End Mill Holder & Side Lock Arbor
ER Collet Chuck
SK Slim Chuck
TG Collet Chuck
Power Milling Chuck
Morse Taper Adapter
Tapping Chuck
One Step Tapping Chuck
Shell Mill Arbor
NC Drill Chuck
Jacobs Taper Arbor
Stub Arbor
Slitting Saw Arbor
Pull Stud & Tool Clamp

SHELL MILL ARBOR

CAT / BT / HSK

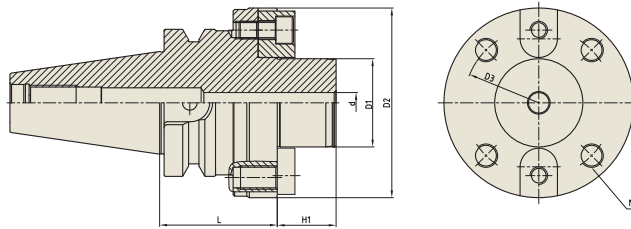
FLANGE MOUNTING TYPE



ASME B5.50-2009-CAT

Unit : mm

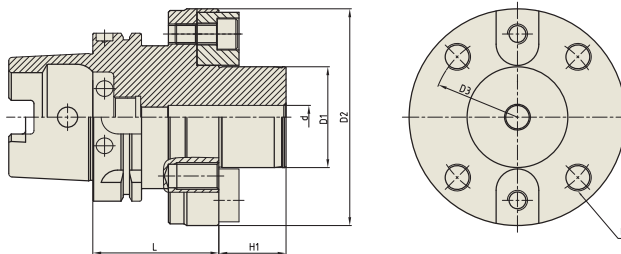
EDP No.	TAPER No.	MODEL No.	d	D1	D2	D3	L	H1	M (TAP)	DRIVE KEY (BOLT)
EL451	50	CAT50 - SMF 40 - 70	14	40	89	66.7	70	30	4-M12	15.9x16x21.5 (M6-15L)
EL452		CAT50 - SMF 60 - 70	14	60	129	101.6	70	40	4-M16	25.4x25.4x31.5 (M12-25L)



JIS B6339/MAS 403-BT

Unit : mm

EDP No.	TAPER No.	MODEL No.	d	D1	D2	D3	L	H1	M (TAP)	DRIVE KEY (BOLT)
EI201	50	BT50 - SMF 40 - 70	14	40	89	66.7	70	30	4-M12	15.9x16x21.5 (M6-15L)
EI202		BT50 - SMF 60 - 80	14	60	129	101.6	80	40	4-M16	25.4x25.4x31.5 (M12-25L)
EI331		BT50 - SMF 63.5(2.5") - 76.2(3.0")	14	63.5	123.8	101.6	76.2	29	4-UNC5/8-11	25.4x25x28 (M12-25L)



DIN69893/ISO12164-1 HSK FORM A

Unit : mm

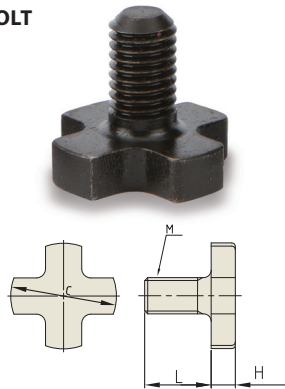
EDP No.	TAPER No.	MODEL No.	d	D1	D2	D3	L	H1	M (TAP)	DRIVE KEY (BOLT)
ER021	100A	HSK100A - SMF 60 - 75	14	60	129	101.6	75	40	4-M16	25.4x25.4x31.5 (M12-25L)

COLLAR BOLT & DRIVE KEY

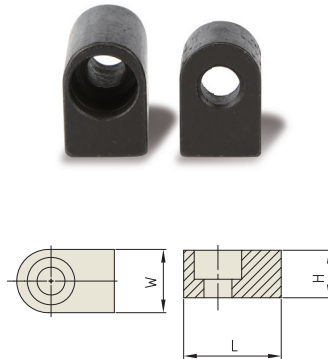
SMA

For SHELL MILL ARBOR

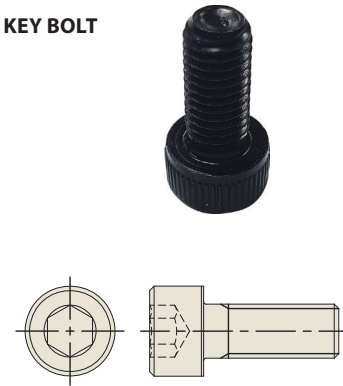
COLLAR BOLT



DRIVE KEY



KEY BOLT

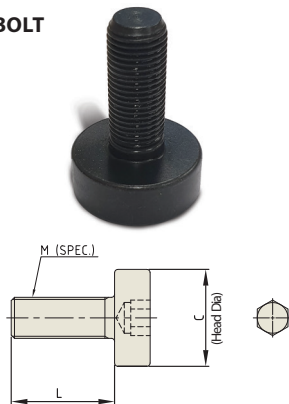


Accessory (Standard SMA)

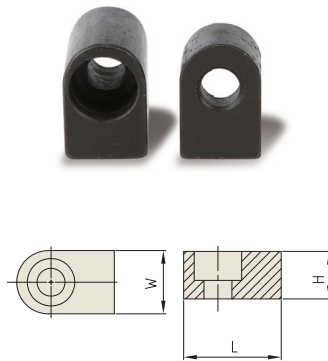
Unit : mm

SPIGOT Dia.	COLLAR BOLT			DRIVE KEY		KEY BOLT	
	SPEC.	Head Dia. (mm)	EDP No.	SPEC. (WxHxL / mm)	EDP No.	SPEC.	EDP No.
16	M8x1.25x16L	20	P2514051	8x7x12.8	P2778857	M3x0.5x10L	P2778863
22	M10x1.5x18L	28	P2514052	10x7.8x15.5	P2778858	M4x0.7x10L	P2778864
27	M12x1.75x22L	35	P2514053	12x9x18.5	P2778859	M5x0.8x12L	P2778865
32	M16x2.0x26L	42	P2514054	14x11.5x20.5	P2778860	M6x1.0x15L	P2778866
40	M20x2.5x30L	52	P2514055	16x13.5x23.5	P2778861	M6x1.0x15L	P2778866
50	M24x3.0x36L	63	P2514056	18x18x28.5	P2778862	M6x1.0x20L	P2778868

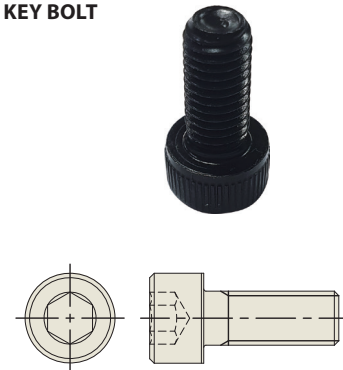
COLLAR BOLT



DRIVE KEY



KEY BOLT



Accessory (Inch)

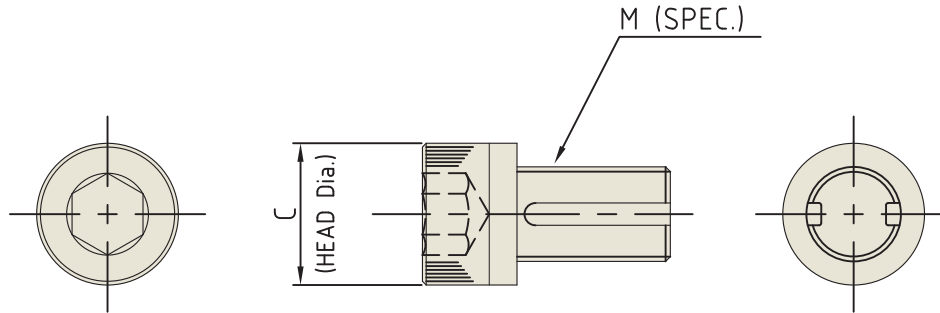
Unit : inch

SPIGOT Dia.	COLLAR BOLT			DRIVE KEY		KEY BOLT	
	SPEC.	Head Dia. (mm)	EDP No.	SPEC. (WxHxL / mm)	EDP No.	SPEC.	EDP No.
1/2	UNF1/4-28x16L	15.7	ZZ031	6.35x6.35x8	ZZ021	UNC#3-48x1/4L	ZZ181
3/4	UNF3/8-24x24L	22.4	ZZ032	7.93x7.93x9.5	ZZ022	UNC#5-40x5/16L	ZZ182
1	UNF1/2-20x32L	30.0	ZZ033	9.52x9.52x10.2	ZZ023	UNC#8-32x3/8L	ZZ183
1 1/4	UNF5/8-18x40L	38.1	ZZ034	12.7x12.7x12.7	ZZ024	UNC#10-24x1/2L	ZZ184
1 1/2	UNF3/4-16x47L	47.7	ZZ035	15.87x11.8x18.5	ZZ025	UNC1/4-20x5/8L	ZZ185
2	UN1-14x48L	50.8	ZZ036	19.05x18x22	ZZ026	UNC5/16-18x3/4L	ZZ186

COLLAR BOLT

SMA

COOLANT GROOVE



Accessory (Inch)

Unit : inch

SPIGOT Dia.	COLLAR BOLT		
	SPEC.	Head Dia. (mm)	EDP No.
1/2	UNF1/4-28x25.4L	3/8 (9.52)	ZZ251
3/4	UNF3/8-24x25.4L	9/16 (14.27)	ZZ252
3/4	UNF3/8-24x38.1L	9/16 (14.27)	ZZ254
1	UNF1/2-20x31.75L	3/4 (19.05)	ZZ253
1	UNF1/2-20x50.8L	3/4 (19.05)	ZZ255
1 1/4	UNF5/8-18x38.1L	15/16 (23.81)	ZZ256
1 1/2	UNF3/4-16x44.45L	1 1/8 (28.575)	ZZ257
2	UN1-14x50.8L	1 1/2 (38.1)	ZZ258



ROTARY TOOLING

NC DRILL CHUCK

KEYLESS TYPE
HEX. KEY TYPE

CAT : ASME B5.50-2009

BT : JIS B6339/MAS 403-BT/ISO7388-2

HSK : DIN69893/ISO12164-1

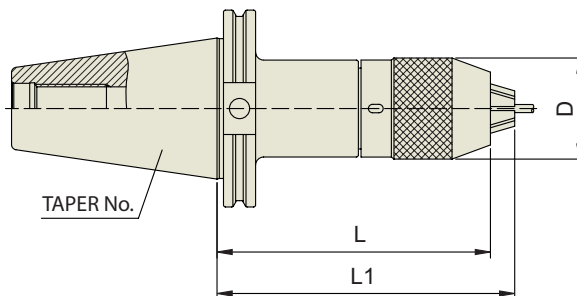
STRAIGHT-K



NC DRILL CHUCK

CAT

KEYLESS TYPE



ASME B5.50-2009-CAT



Unit : inch

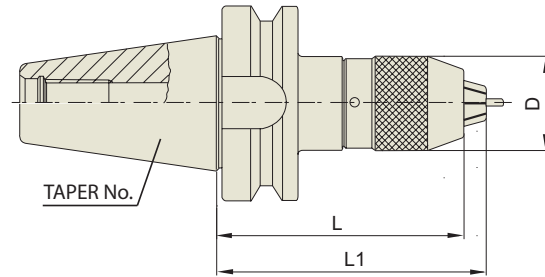
EDP No.	TAPER No.	MODEL No.	CLAMPING RANGE	D	L (Min.)	L1 (Max.)
RK020	40	CAT40 - NPU 8 - 2.95	0.012 - 0.315	1.437	2.950	3.174
RK022		CAT40 - NPU 8 - 4.33	0.012 - 0.315	1.437	4.331	4.555
RK024		CAT40 - NPU 8 - 5.91	0.012 - 0.315	1.437	5.906	6.130
RK026		CAT40 - NPU 13 - 3.54	0.039 - 0.512	1.984	3.543	3.937
RK028		CAT40 - NPU 13 - 5.12	0.039 - 0.512	1.984	5.118	5.512
RK030		CAT40 - NPU 13 - 5.91	0.039 - 0.512	1.984	5.906	6.299
RL020	50	CAT50 - NPU 8 - 3.54	0.012 - 0.315	1.437	3.543	3.768
RL022		CAT50 - NPU 8 - 4.33	0.012 - 0.315	1.437	4.331	4.555
RL024		CAT50 - NPU 8 - 6.69	0.012 - 0.315	1.437	6.693	6.917
RL026		CAT50 - NPU 13 - 3.94	0.039 - 0.512	1.984	3.937	4.331
RL028		CAT50 - NPU 13 - 5.12	0.039 - 0.512	1.984	5.118	5.512
RL030		CAT50 - NPU 13 - 5.91	0.039 - 0.512	1.984	5.906	6.299
RL032		CAT50 - NPU 13 - 6.69	0.039 - 0.512	1.984	6.693	7.087

* Hook Wrench Size
NPU 8 : 8S, NPU 13 : 13S

NC DRILL CHUCK

BT

KEYLESS TYPE



JIS B6339/MAS 403-BT

Unit : mm

EDP No.	TAPER No.	MODEL No.	CLAMPING RANGE	D	L (Min.)	L1 (Max.)
RG100	30	BT30 - NPU 8 - 75	0.3 - 8.0	36.5	75	80.7
RG102		BT30 - NPU 13 - 105	1.0 - 13.0	50.4	105	115
RH100	40	BT40 - NPU 8 - 80	0.3 - 8.0	36.5	80	85.7
RH102		BT40 - NPU 8 - 110	0.3 - 8.0	36.5	110	115.7
RH104		BT40 - NPU 8 - 150	0.3 - 8.0	36.5	150	155.7
RH106		BT40 - NPU 13 - 95	1.0 - 13.0	50.4	95	100.7
RH108		BT40 - NPU 13 - 130	1.0 - 13.0	50.4	130	140
RH110		BT40 - NPU 13 - 150	1.0 - 13.0	50.4	150	160

* Hook Wrench Size
NPU 8 : 8S, NPU 13 : 13S

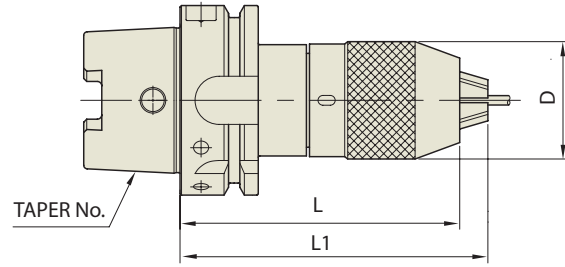
* Chucking Length
NPU 8 : 20mm, NPU 13 : 28mm

Hydraulic Chuck
Shrink Fit Holder
End Mill Holder & Side Lock Arbor
ER Collet Chuck
SK Slim Chuck
TG Collet Chuck
Power Milling Chuck
Morse Taper Adapter
Tapping Chuck
One Step Tapping Chuck
Shell Mill Arbor
NC Drill Chuck
Jacobs Taper Arbor
Stub Arbor
Slitting Saw Arbor
Pull Stud & Tool Clamp

DUAL CONTACT NC DRILL CHUCK

HSK

KEYLESS TYPE



DIN
69893-
HSK

DIN 69893/ISO 12164-1-HSK FORM A

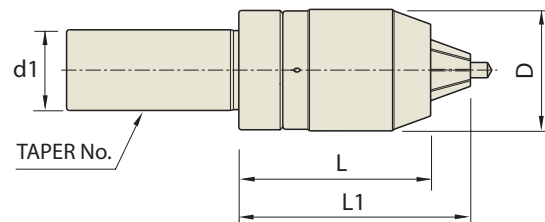
Unit : mm

EDP No.	TAPER No.	MODEL No.	CLAMPING RANGE	D	L (Min.)	L1 (Max.)
RQ100	63A	HSK63A - NPU 8 - 125	0.3 - 8.0	36.5	125	130.7
RQ102		HSK63A - NPU 13 - 150	1.0 - 13.0	50.4	150	160
RR100	100A	HSK100A - NPU 8 - 130	0.3 - 8.0	36.5	130	135.7
RR102		HSK100A - NPU 13 - 1510	1.0 - 13.0	50.4	150	160

STRAIGHT NC DRILL CHUCK

K

KEYLESS TYPE



STRAIGHT-K

Unit : mm

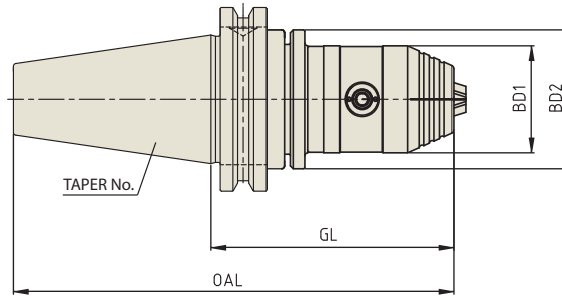
EDP No.	TAPER No.	MODEL No.	CLAMPING RANGE	d1	D	L (Min.)	L1 (Max.)
RS100	32	K32 - NPU 8 - 75	0.3 - 8.0	32.0	36.5	75	80.7
RS102		K32 - NPU 13 - 100	1.0 - 13.0	32.0	50.4	100	110
RS104	42	K42 - NPU 8 - 70	0.3 - 8.0	42.0	36.5	70	75.7
RS106		K42 - NPU 13 - 100	1.0 - 13.0	42.0	50.4	100	110

* Hook Wrench Size
NPU 8 : 8S, NPU 13 : 13S

NC DRILL CHUCK

CAT

HEX. KEY TYPE



ASME B5.50-2009-CAT

Unit : mm

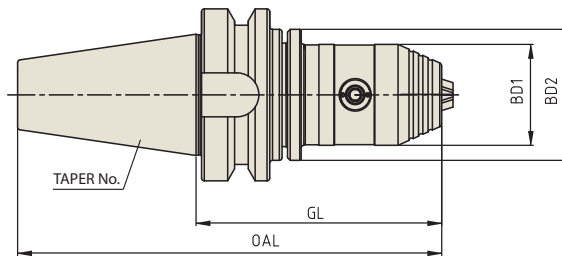
EDP No.	TAPER No.	MODEL No.	CLAMPING RANGE	OAL	GL	BD1	BD2	WEIGHT (Kg)
RK200	40	CAT40 - HKD 8 - 90	0.3 - 8.0	158.4	90	37	48	-
RK201		CAT40 - HKD 13 - 100	0.3 - 13.0	168.4	100	50.1	50.1	-
RK202		CAT40 AD/B - HKD 8 - 110	0.3 - 8.0	178.4	110	37	48	-
RK203		CAT40 AD/B - HKD 13 - 130	0.3 - 13.0	198.4	130	50.1	50.1	-

* Hex. Wrench Size
HKD 8 : 4mm, HKD 13 : 6mm

NC DRILL CHUCK

BT

HEX. KEY TYPE



JIS B6339/MAS 403-BT

Unit : mm

EDP No.	TAPER No.	MODEL No.	CLAMPING RANGE	OAL	GL	BD1	BD2	WEIGHT (Kg)
RH200	40	BT40 - HKD 8 - 90	0.3 - 8.0	155.4	90	37	48	-
RH201		BT40 - HKD 13 - 110	0.3 - 13.0	175.4	110	50.1	50.1	-
RH202		BT40 AD/B - HKD 8 - 120	0.3 - 8.0	185.4	120	37	48	-
RH203		BT40 AD/B - HKD 13 - 140	0.3 - 13.0	205.4	140	50.1	50.1	-

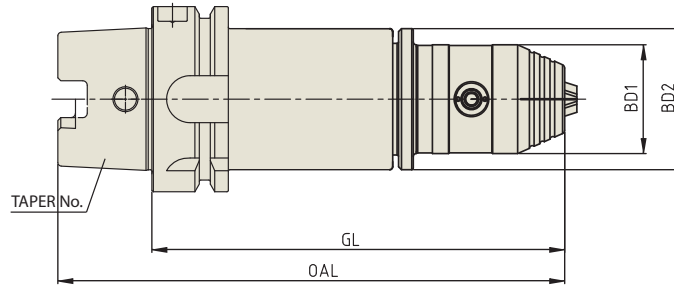
* Hex. Wrench Size
HKD 8 : 4mm, HKD 13 : 6mm

Hydraulic Chuck
Shrink Fit Holder
End Mill Holder & Side Lock Arbor
ER Collet Chuck
SK Slim Chuck
TG Collet Chuck
Power Milling Chuck
Morse Taper Adapter
Tapping Chuck
One Step Tapping Chuck
Shell Mill Arbor
NC Drill Chuck
Jacobs Taper Arbor
Stub Arbor
Slitting Saw Arbor
Pull Stud & Tool Clamp

NC DRILL CHUCK

HSK

HEX. KEY TYPE



DIN 69893/ISO 12164-1-HSK FORM A

Unit : mm

EDP No.	TAPER No.	MODEL No.	CLAMPING RANGE	OAL	GL	BD1	BD2	WEIGHT (Kg)
RQ200	63A	HSK63A - HKD 8 - 145	0.3 - 8.0	177	145	37	48	-
RQ201		HSK63A - HKD 13 - 165	0.3 - 13.0	197	165	50.1	50.1	-

* Hex. Wrench Size
 HKD 8 : 4mm, HKD 13 : 6mm



ROTARY TOOLING

JACOBS TAPER ARBOR

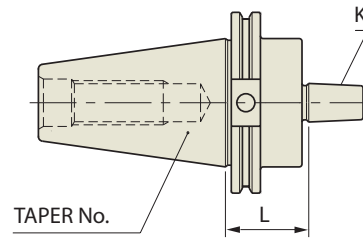
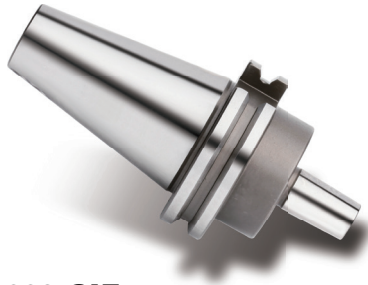


CAT : ASME B5.50-2009

BT : JIS B6339/MAS 403-BT/ISO7388-2

JACOBS TAPER ARBOR

CAT



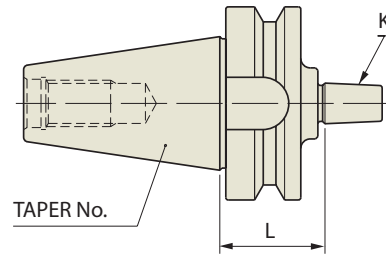
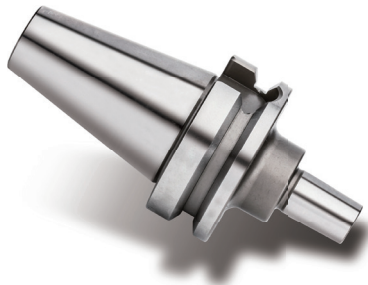
ASME B5.50-2009-CAT

Unit : inch

EDP No.	TAPER No.	MODEL No.	K	L
GK042	40	CAT40 - JTA 1 - 1.50	#1	1.50
GK043		CAT40 - JTA 2 - 1.50	#2	1.50
GK044		CAT40 - JTA 3 - 1.50	#3	1.50
GK045		CAT40 - JTA 4 - 1.50	#4	1.50
GK046		CAT40 - JTA 6 - 1.50	#6	1.50
GK047		CAT40 - JTA 33 - 1.50	#33	1.50
GL042		50	CAT50 - JTA 1 - 1.50	#1
GL043	CAT50 - JTA 2 - 1.50		#2	1.50
GL044	CAT50 - JTA 3 - 1.50		#3	1.50
GL045	CAT50 - JTA 4 - 1.50		#4	1.50
GL046	CAT50 - JTA 6 - 1.50		#6	1.50
GL047	CAT50 - JTA 33 - 1.50		#33	1.50

JACOBS TAPER ARBOR

BT



JIS B6339/MAS 403-BT

Unit : inch

EDP No.	TAPER No.	MODEL No.	K	L
GH042	40	BT40 - JTA 1 - 1.34	#1	1.34
GH043		BT40 - JTA 2 - 1.77	#2	1.77
GH044		BT40 - JTA 3 - 1.77	#3	1.77
GH045		BT40 - JTA 4 - 1.77	#4	1.77
GH046		BT40 - JTA 6 - 1.77	#6	1.77
GH047		BT40 - JTA 33 - 1.77	#33	1.77
GI042		50	BT50 - JTA 1 - 1.80	#1
GI043	BT50 - JTA 2 - 1.77		#2	1.77
GI044	BT50 - JTA 3 - 1.77		#3	1.77
GI045	BT50 - JTA 4 - 1.77		#4	1.77
GI046	BT50 - JTA 6 - 1.77		#6	1.77
GI047	BT50 - JTA 33 - 1.77		#33	1.77



ROTARY TOOLING

STUB ARBOR



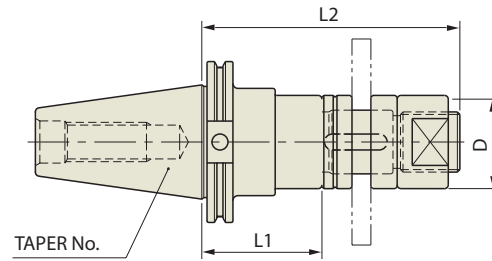
CAT : ASME B5.50-2009

BT : JIS B6339/MAS 403-BT/ISO7388-2

ACCESSORY (NUT, KEY, SPACER)

STUB ARBOR

CAT



ASME B5.50-2009-CAT



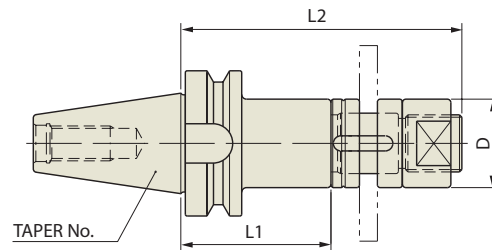
• STANDARD

Unit : inch

EDP No.	TAPER No.	MODEL No.	CUTTER SIZE I.D	L1	D	L2
PK014	40	CAT40 - STUB 1.0 - 4.00	1.000	4.00	1.56	6.25
PK017		CAT40 - STUB 1 1/4 - 4.00	1.250	4.00	1.87	6.50
PK021		CAT40 - STUB 1 1/2 - 4.00	1.500	4.00	2.12	6.75
PL014	50	CAT50 - STUB 1.0 - 4.00	1.000	4.00	1.56	6.25
PL017		CAT50 - STUB 1 1/4 - 4.00	1.250	4.00	1.87	6.50
PL021		CAT50 - STUB 1 1/2 - 4.00	1.500	4.00	2.12	6.75

STUB ARBOR

BT



JIS B6339/MAS 403-BT



• STANDARD

Unit : inch

EDP No.	TAPER No.	MODEL No.	CUTTER SIZE I.D	L1	D	L2
PH014	40	BT40 - STUB 1.0 - 3.00	1.000	3.00	1.56	5.25
PH017		BT40 - STUB 1 1/4 - 3.00	1.250	3.00	1.87	5.50
PH021		BT40 - STUB 1 1/2 - 3.00	1.500	3.00	2.12	5.75
PI014	50	BT50 - STUB 1.0 - 4.00	1.000	4.00	1.56	6.25
PI017		BT50 - STUB 1 1/4 - 4.00	1.250	4.00	1.87	6.50
PI021		BT50 - STUB 1 1/2 - 4.00	1.500	4.00	2.12	6.75

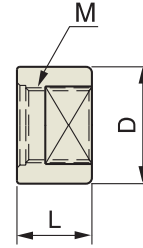
NUT / KEY

PART

• NUT

Unit : inch

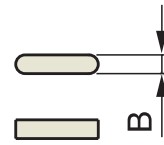
EDP No.	TYPE (M)	L	D	SERIES
ZZ041	UNF 1 - 12	1.00	1.56	STUB 1.0
ZZ046	UNF 1 1/4 - 12	1.25	1.87	STUB 1 1/4
ZZ052	UNF 1 1/2 - 12	1.50	2.12	STUB 1 1/2



• KEY

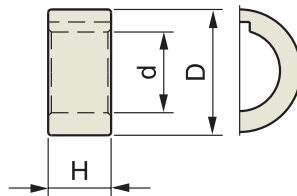
Unit : inch

EDP No.	SERIES	B
ZZ042	STUB 1.0	0.250
ZZ047	STUB 1 1/4	0.312
ZZ054	STUB 1 1/2	0.375



SPACER

PART



Unit : inch

EDP No.	TYPE	H	D	d	SERIES
ZZ043	1/4 - SPACER	0.250	1.56	1.00	STUB 1
ZZ044	3/8 - SPACER	0.375	1.56	1.00	STUB 1
ZZ045	3/4 - SPACER	0.750	1.56	1.00	STUB 1

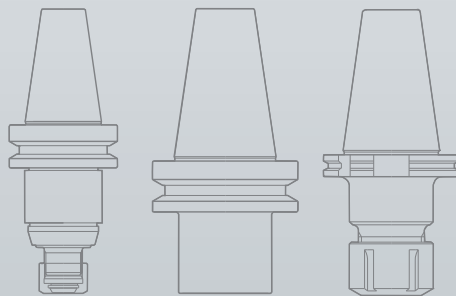
EDP No.	TYPE	H	D	d	SERIES
ZZ048	1/4 - SPACER	0.250	1.87	1.25	STUB 1 1/4
ZZ049	3/8 - SPACER	0.375	1.87	1.25	STUB 1 1/4
ZZ050	3/4 - SPACER	0.750	1.87	1.25	STUB 1 1/4

EDP No.	TYPE	H	D	d	SERIES
ZZ037	1/4 - SPACER	0.250	2.12	1.50	STUB 1 1/2
ZZ038	3/8 - SPACER	0.375	2.12	1.50	STUB 1 1/2
ZZ039	3/4 - SPACER	0.750	2.12	1.50	STUB 1 1/2

ROTARY TOOLING



GLOBAL CUTTING TOOL LEADER YG-1





ROTARY TOOLING

SLITTING SAW ARBOR

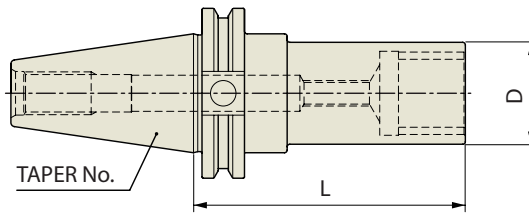
CAT : ASME B5.50-2009

BT : JIS B6339/MAS 403-BT/ISO7388-2

ACCESSORY (CAP)

SLITTING SAW ARBOR

CAT



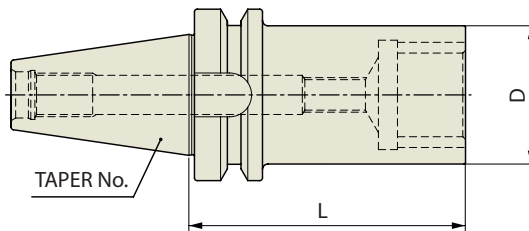
• STANDARD

Unit : inch

EDP No.	TAPER No.	MODEL No.	CUTTER SIZE I.D	L	D
QK014	40	CAT40 - SSA 1.0 - 4.00	1.000	4.00	1.50
QK017		CAT40 - SSA 1 1/4 - 4.00	1.250	4.00	2.00
QL014	50	CAT50 - SSA 1.0 - 4.00	1.000	4.00	1.50
QL017		CAT50 - SSA 1 1/4 - 4.00	1.250	4.00	2.00

SLITTING SAW ARBOR

BT



• STANDARD

Unit : inch

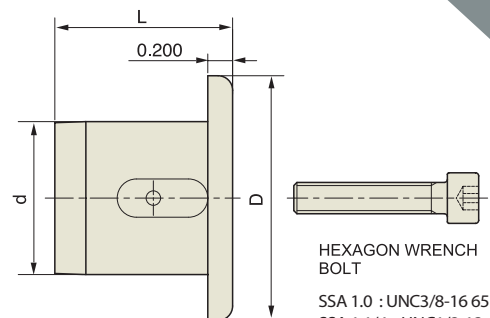
EDP No.	TAPER No.	MODEL No.	CUTTER SIZE I.D	L	D
QH014	40	BT40 - SSA 1.0 - 4.00	1.000	4.00	1.50
QH017		BT40 - SSA 1 1/4 - 4.00	1.250	4.00	2.00

CAP

SSA

EDP No.	TYPE	L	D	d
ZZ051	SSA 1.0	1.02	1.50	1.00
ZZ053	SSA 1 1/4	1.30	2.00	1.25

Unit : inch



HEXAGON WRENCH BOLT

SSA 1.0 : UNC3/8-16 65L
SSA 1 1/4 : UNC1/2-13 65L



ROTARY TOOLING

PULL STUD & TOOL CLAMP

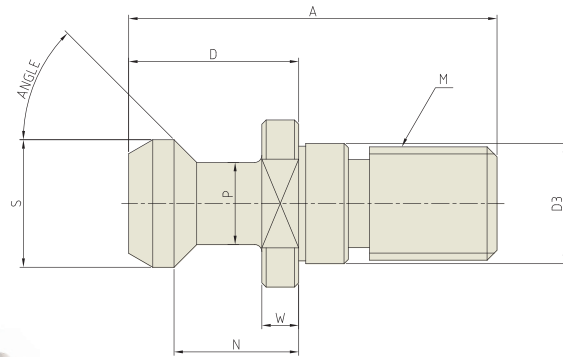
PULL STUD

TOOL CLAMP

COOLANT TUBE



PULL STUD



Unit : inch

EDP NO.	MODEL No.	ANGLE	S	P	D3	A	N	D	W	M
SK661	CAT - 40ANSI C	45°	0.740	0.490	0.490	1.500	0.440	0.640	0.120	5/8 - 11
SL661	CAT - 50ANSI C	45°	10.140	0.820	0.820	2.300	0.700	1.000	0.200	1 - 8
SK561	CAT - 40ANSI	45°	0.740	0.490	0.490	1.500	0.440	0.640	0.120	5/8 - 11
SL561	CAT - 50ANSI	45°	10.140	0.820	0.820	2.300	0.700	1.000	0.200	1 - 8
SK761	CAT - 40TYPE I	45°	0.590	0.394	0.512	2.250	0.990	1.266	0.120	5/8 - 11
SK762	CAT - 40TYPE II	60°	0.590	0.394	0.512	2.250	0.990	1.266	0.120	5/8 - 11
SK763	CAT - 40TYPE III	90°	0.590	0.394	0.512	2.250	0.990	1.266	0.120	5/8 - 11
SK861	CAT - 40TYPE IC	45°	0.590	0.394	0.512	2.250	0.990	1.266	0.120	5/8 - 11
SK862	CAT - 40TYPE IIC	60°	0.590	0.394	0.512	2.250	0.990	1.266	0.120	5/8 - 11
SK863	CAT - 40TYPE IIIC	90°	0.590	0.394	0.512	2.250	0.990	1.266	0.120	5/8 - 11
SL761	CAT - 50TYPE I	45°	0.906	0.669	0.827	3.346	1.377	1.772	0.390	1 - 8
SL762	CAT - 50TYPE II	60°	0.906	0.669	0.827	3.346	1.377	1.772	0.390	1 - 8
SL763	CAT - 50TYPE III	90°	0.906	0.669	0.827	3.346	1.377	1.772	0.390	1 - 8
SL861	CAT - 50TYPE IC	45°	0.906	0.669	0.827	3.346	1.377	1.772	0.390	1 - 8
SL862	CAT - 50TYPE IIC	60°	0.906	0.669	0.827	3.346	1.377	1.772	0.390	1 - 8
SL863	CAT - 50TYPE IIIC	90°	0.906	0.669	0.827	3.346	1.377	1.772	0.390	1 - 8
SH061	BT - 40PS 1	45°	0.590	0.394	0.669	2.360	1.102	1.378	0.230	M16
SI061	BT - 50PS 5	45°	0.905	0.669	0.984	3.346	1.377	1.772	0.390	M24
SH062	BT - 40PS 2	60°	0.590	0.394	0.669	2.360	1.102	1.378	0.230	M16
SI062	BT - 50PS 6	60°	0.905	0.669	0.984	3.346	1.377	1.772	0.390	M24
SH063	BT - 40PS 8	90°	0.590	0.394	0.669	2.360	1.102	1.378	0.230	M16
SI063	BT - 50PS 0	90°	0.905	0.669	0.984	3.346	1.377	1.772	0.390	M24
SK161	CAT - 40TYPE I	45°	0.590	0.394	0.512	2.250	0.990	1.266	0.236	5/8 - 11
SK162	CAT - 40TYPE II	60°	0.590	0.394	0.512	2.250	0.990	1.266	0.236	5/8 - 11
SK163	CAT - 40TYPE III	90°	0.590	0.394	0.512	2.250	0.990	1.266	0.236	5/8 - 11
SK261	CAT - 40TYPE IC	45°	0.590	0.394	0.512	2.250	0.990	1.266	0.236	5/8 - 11
SK262	CAT - 40TYPE IIC	60°	0.590	0.394	0.512	2.250	0.990	1.266	0.236	5/8 - 11
SK263	CAT - 40TYPE IIIC	90°	0.590	0.394	0.512	2.250	0.990	1.266	0.236	5/8 - 11

* Suffix "C" in MODEL No. is through coolant type.

* Improper selection of pull studs can cause serious damage and possible injury.
Please make sure the machine accepts the pull stud you select.

TOOL CLAMP

EDP No.	MODEL No.	SHANK FLANGE TYPE
RK099	TCT - 40	CAT - 40
RH099	TBT - 40	BT - 40
RL099	TCT - 50	CAT - 50
RM099	TBT - 50	BT - 50

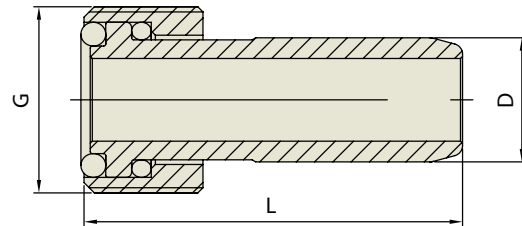
* Available in all tapers.

Feature

- Access both ends of your tool holders simultaneously
- Minimizes tool holders handling
- Speeds up your operations
- Convenient



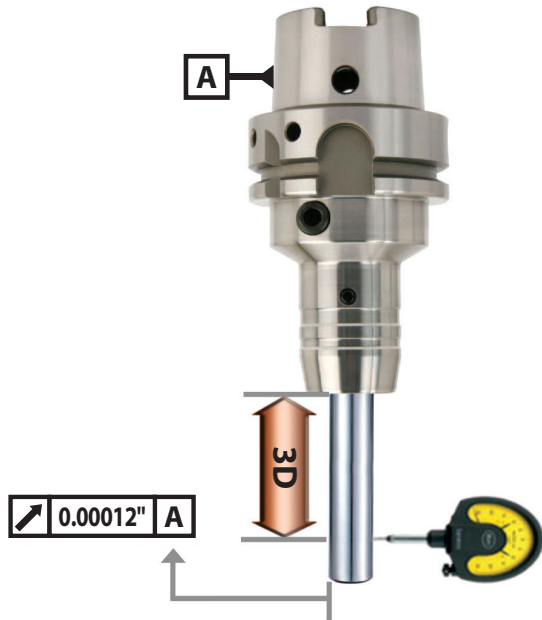
COOLANT TUBE



Unit : mm

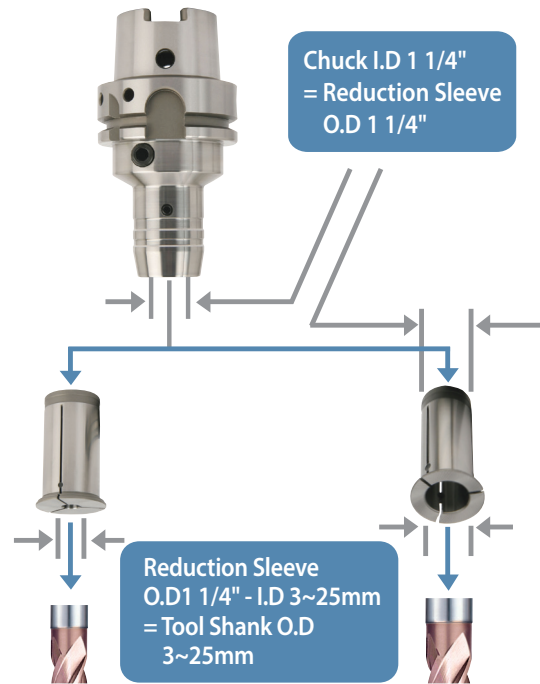
EDP Code	TAPER No.	G	L	D
CT320	32A	M10x1.0	26.0	6
CT400	40A	M12x1.0	29.1	8
CT500	50A	M16x1.0	32.9	10
CT630	63A	M18x1.0	36.6	12
CT100	100A	M24x1.5	43.9	16

01. High precision T.I.R : ≤ 0.00012" (Without Reduction Sleeve)

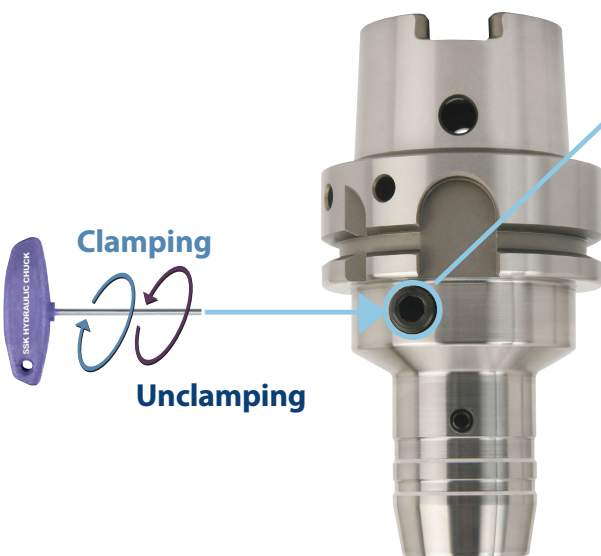


- Less than 0.00012" T.I.R
⇒ Suitable for High Speed precision machining

02. Flexible use of cutting tools by using reduction sleeves

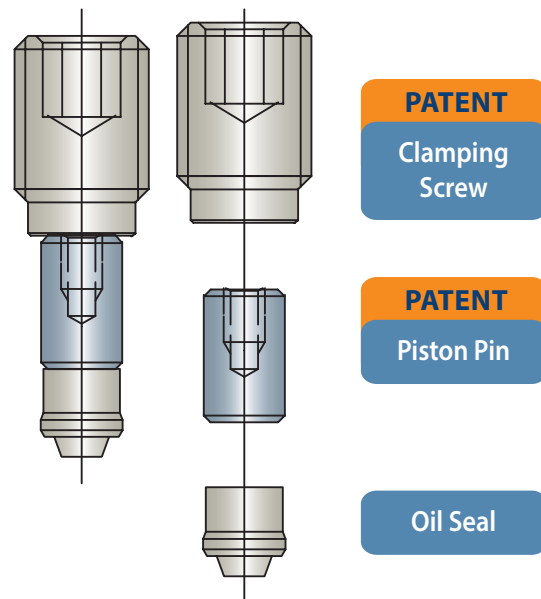


03. Easy Tool Change



- Easy clamping and unclamping by use of T wrench
⇒ Reducing tool change time

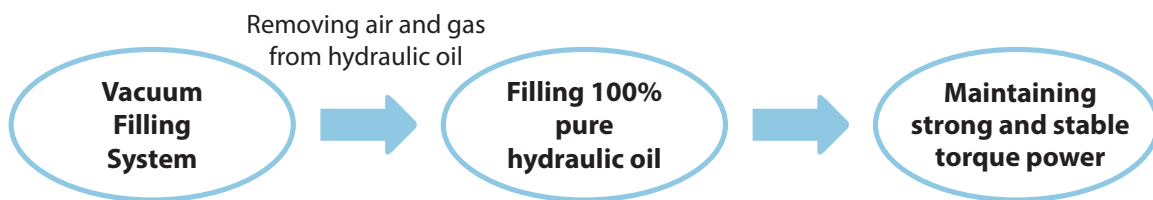
CLAMPING SCREW



04. Strong Torque Power

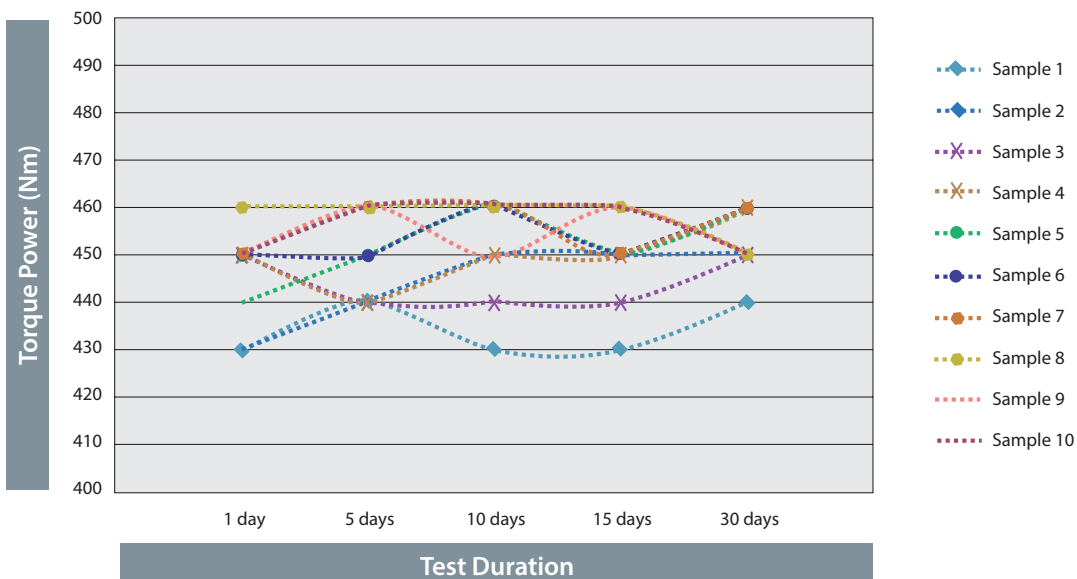
Hydraulic Chuck I.D (mm)	Tool Shank O.D (mm)	Applicable RPM	Minimum Clamping Depth (mm)		Min. Torque Power (Nm)	
			Slim	Power E Hydro	Slim	Power E Hydro
6	6	40,000	27		16	
8	8	40,000	27		23	
10	10	40,000	32		45	
12	12	40,000	37	41	90	110
14	14	40,000	37		110	
16	16	40,000	42		185	
18	18	40,000	42		240	
20	20	40,000	42	48	330	520
25	25	25,000	48		400	
32	32	25,000	55	57	650	900

- Tool Holder I.D Tolerance : H6
- Operating Temperature : 20~25°C
- Maximum pressure of coolant oil : 80bar



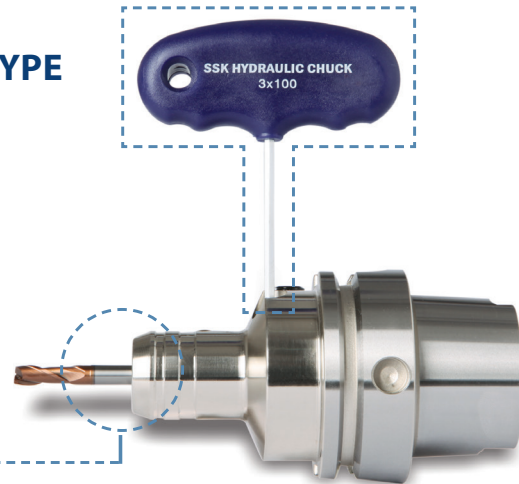
05. Test of Torque Power and Hydraulic Oil Leakage

- Test Model : BT40 AD/B - HC 20 - 90
- No oil leakage for long period ⇨ Maintaining stable torque power



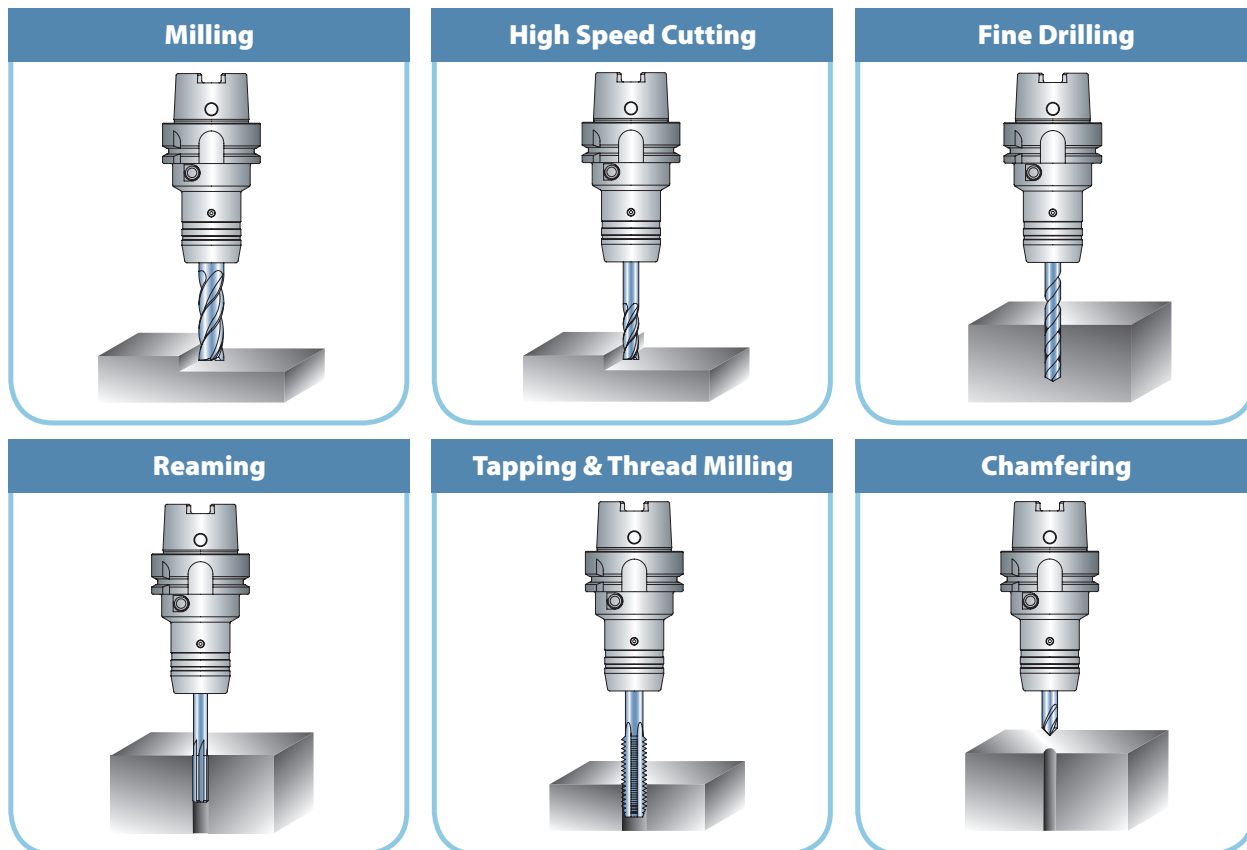
○ RADIAL TOOL LENGTH PRE-SETTING TYPE

- Easy to adjust pre-setting length of cutting tool (Saving time to pre-set cutting tool to one fifth compared with conventional Hydraulic Chuck)
- Precise adjustment of cutting tool length
- Designed to separate tool length adjustment screw from clamping screw

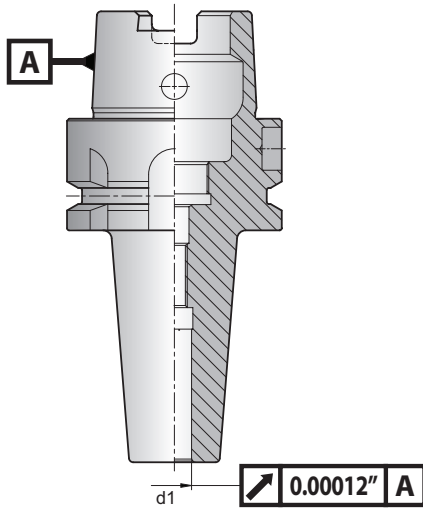


Adjustable range of cutting tool length : 0~0.394"

○ APPLICATION



01. High Precision I.D Run-out : $\leq 0.00012''$

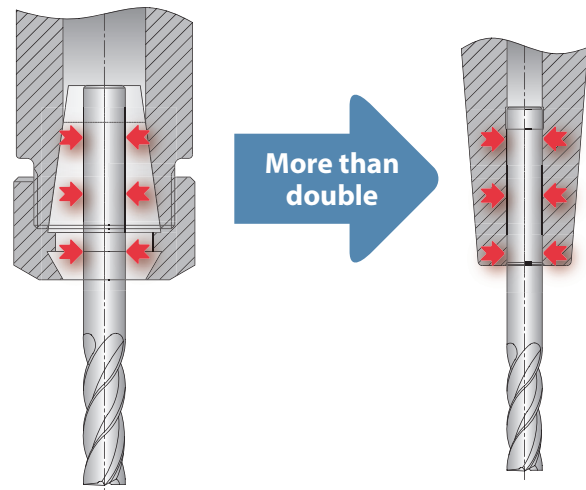


- Less than 0.00012" of Tool Holder accuracy at I.D

02. Strong and Consistent Torque Power

Collet Chuck

Shrink Fit Holder

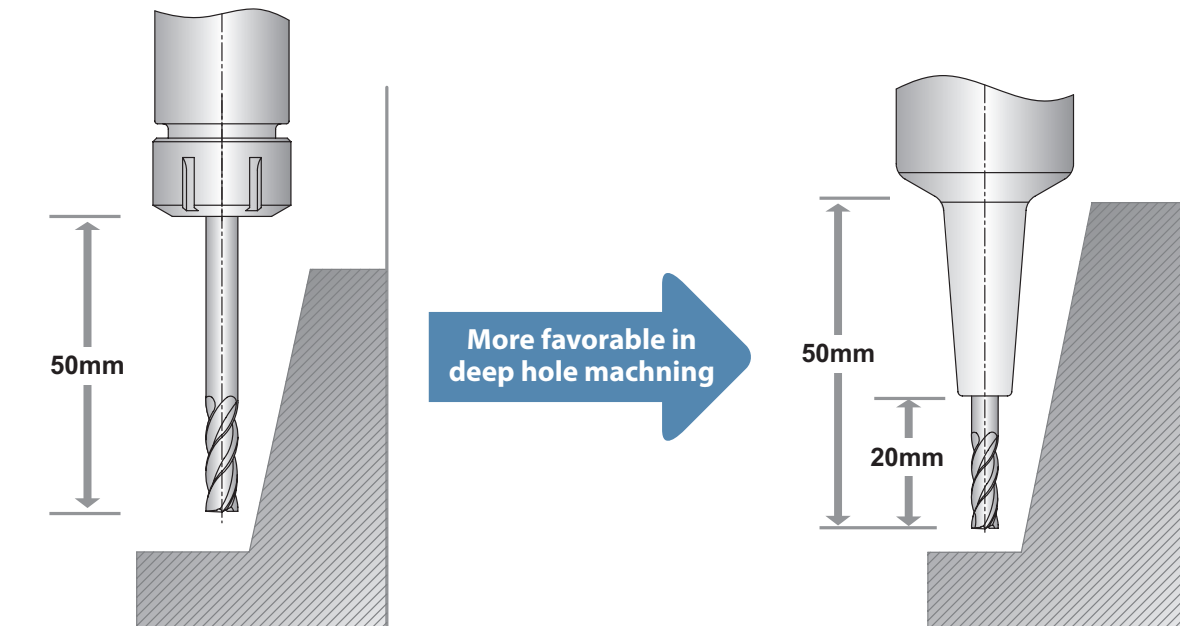


- Achieving strong torque power by integration of chuck and tool

03. Deep hole Machining

Collet Chuck

Shrink Fit Holder



- Suitable for High Speed precision deep hole machining

SHANK TYPE OF CUTTING TOOL

Straight shank



One weldon flat shaft type



MATERIAL OF CUTTING TOOL

**CARBIDE
TOOL**

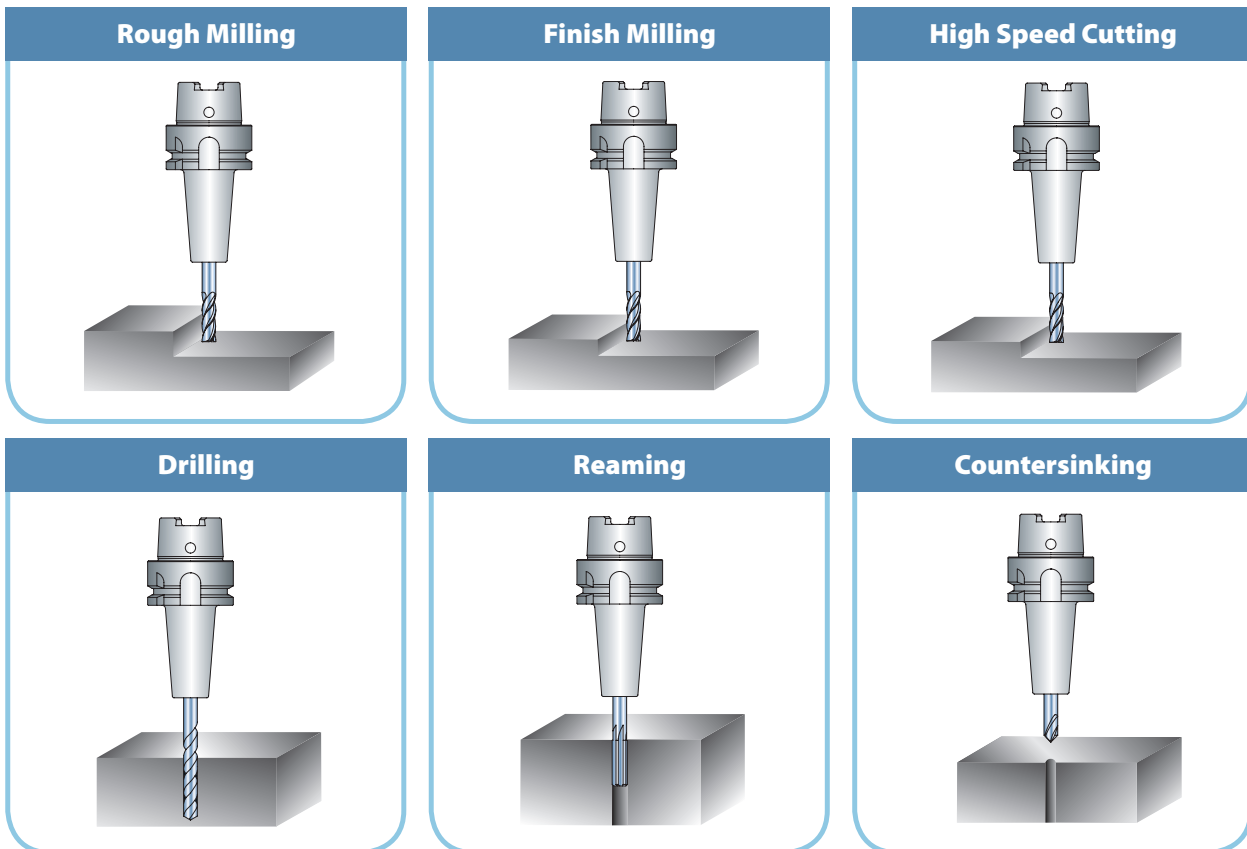
YES

**HSS
TOOL**

NO

- One Weldon flat shaft type tool is usable, but there is a possibility that the I.D of Shrink Fit Holder may be deformed.

APPLICATION



● SPECIAL FEATURES

TOOL CLAMPING

For complete tool clamping, clamping cap should be fully turned up to the point where the bottom of clamping cap touches the flange of tool holder.

HOLDING POWER

Thicker body structure of clamping cap assures strong holding power maximum durability and smooth movement of needle bearings 300 kgf holding force.

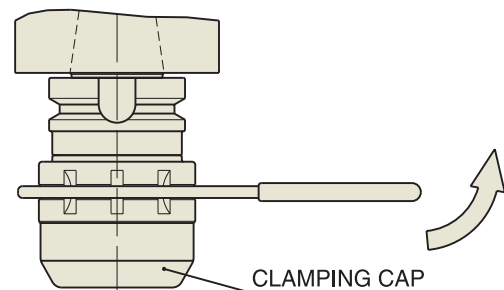
ACCURACY

Slots on the inside of bore help prevent excessive oil and grime from building up between shank of end mill and inside of bore which increases accuracy and holding power.

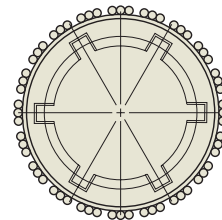
DURABILITY

Special engineered steels and alloys are used in the bearing and stop seal to increase life and reduce maintenance.

CLAMPING



STRUCTURE



○ T.I.R (TOTAL INDICATED RUN-OUT)

HYDRAULIC CHUCK

Concentric to 0.00012" T.I.R (at 3D)

SHRINK FIT HOLDER

Concentric to 0.00012" T.I.R (at I.D)

ER COLLET CHUCK

Concentric to 0.0002" T.I.R (at I.D)

END MILL HOLDER

Concentric to 0.0002" T.I.R (at I.D)

SLITTING SAW ARBOR

Face perpendicular to taper within 0.0002" T.I.R (at I.D)

STUB ARBOR

Face perpendicular to taper within 0.0002" T.I.R (at I.D)

SHELL MILL ARBOR

Face perpendicular to taper within 0.0001" T.I.R

Out diameter to taper within 0.0002" T.I.R

MORSE & JACOBS TAPER ARBOR

Concentric to 0.0003" T.I.R

* To put tool precisely on spindle center line for getting correct T.I.R

- AT3 or better accuracy on all shank tapers
- Accurate and rigid tool holder mounting to spindle
- The bore diameter of all tool holders is controlled by H5 grade tolerance limit.

TAPER	AT3
#30	0.000078"
#40	0.00012"
#50	0.00016"

MEMO



MEMO



A large grid of small squares, typical of graph paper, covering the majority of the page. The grid is composed of light gray lines forming a uniform pattern of squares.

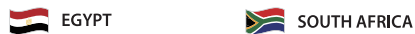
HIGH QUALITY PRODUCTS and ON TIME DELIVERY for WORLD-WIDE CUSTOMERS

Since 1982, YG-1 has been committed to quality, innovation and the unique customer experience. Our performance and experience have granted YG-1 the global impression of one of the leading manufacturers of high quality cutting tool solutions. This global footprint expands over 75 countries, with international logistic centers, pledging to our customers to give the best service available today - and tomorrow.

EUROPE



AFRICA



ASIA PACIFIC



AMERICAS



 YG-1 CO., LTD.

* For more information on sales network, please contact the head office as below;

HEAD OFFICE

13-40, Songdogwahak-ro 16beon-gil, Yeonsu-gu,
Incheon 21984, South Korea
Phone: +82-32-526-0909
E-mail: yg1@yg1.kr www.yg1.kr

YG-1 USA

730 Corporate Woods Parkway, Vernon Hills, IL 60061 U.S.A.
Phone : 800-765-8665
Technical Assistance : 888-868-5988
E-mail : info@yg1usa.com www.yg1usa.com

Hydraulic Chuck

Shrink Fit Holder

End Mill Holder & Side Lock Arbor

ER Collet Chuck

SK Slim Chuck

TG Collet Chuck

Power Milling Chuck

Morse Taper Adapter

Tapping Chuck

One Step Tapping Chuck

Shell Mill Arbor

NC Drill Chuck

Jacobs Taper Arbor

Stub Arbor

Sitting Saw Arbor

Pull Stud & Tool Clamp

YG-1 CO., LTD.

YG-1 USA

730 Corporate Woods Parkway
Vernon Hills, IL 60061 U.S.A.

Phone: 800-765-8665

Technical Assistance: 888-868-5988

www.yg1usa.com

YG-1 CANADA INC.

3375 North Service Road, Unit A8
Burlington, Ontario, CANADA L7N 3G2

Phone: +1 905-335-2500

FAX: +1 905-335-4003

Customer Service: orders@yg1.ca

www.yg1.ca

HEAD OFFICE

13-40, Songdogwahak-ro 16beon-gil,
Yeonsu-gu, Incheon 21984, South Korea

Notice YG-1 Global head office is relocating from December 2020 to a new address as above;

Phone: +82-32-526-0909

www.yg1.kr

E-mail: yg1@yg1.kr

Note The information is Provided for reference only. Tool specifications are subject to change without prior notice. Although we endeavor to supply accurate and timely information, there can be no guarantee to cover every particular application. YG-1 or publishers are not liable for any damage for use of the information.



Search 'YG-1' on social media outlets

YG1YUTH220805005